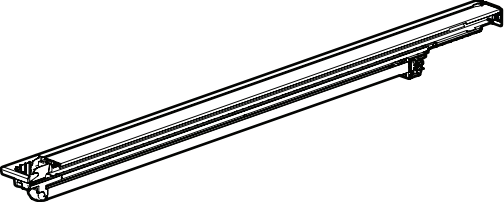
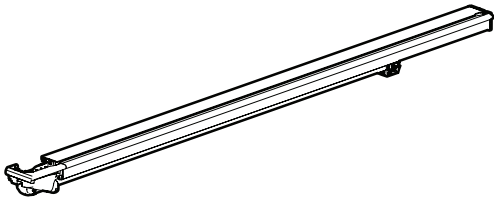
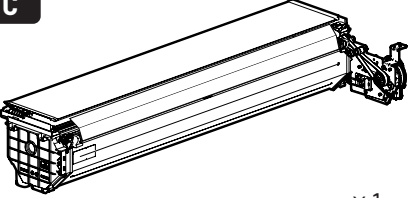

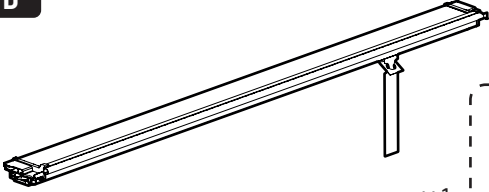



MOUNTAIN TOP[®] EVOe

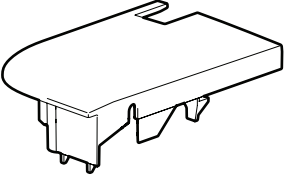
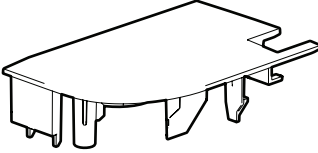
Installation manual



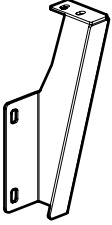
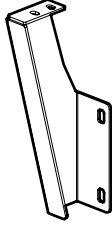


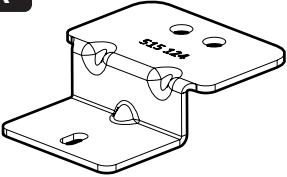
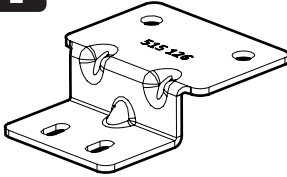
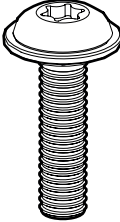
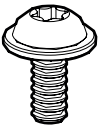
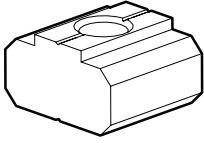
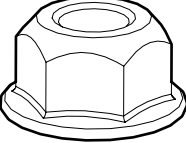
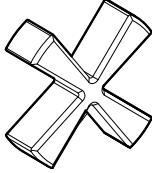
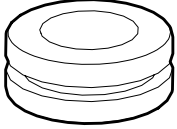
Parts

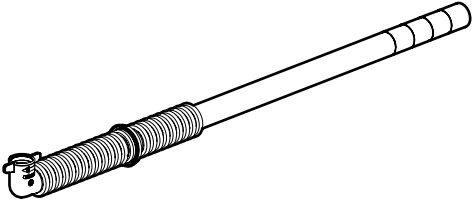
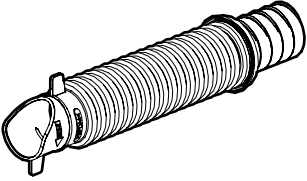
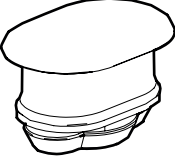

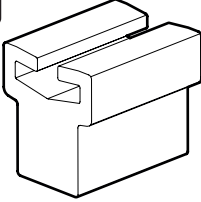
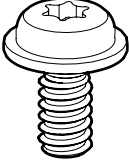
| | |
|--|---|
| <p>A</p>  <p>x1</p> | <p>B</p>  <p>x1</p> |
| <p>C</p>  <p>x1</p> <div style="border: 1px dashed black; padding: 5px; display: inline-block;"> <p>X2</p>  <p>x2</p> </div> | <p>D</p>  <p>x1</p> <div style="border: 1px dashed black; padding: 5px; display: inline-block;"> <p>Y2</p>  <p>x1</p> </div> |

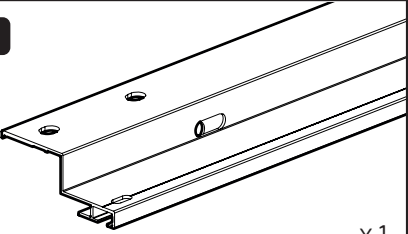
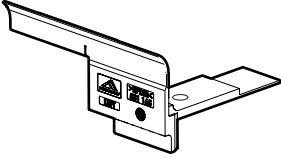
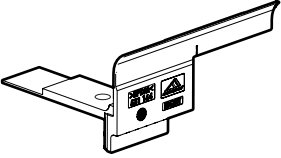
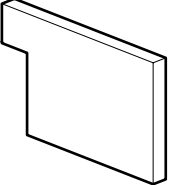
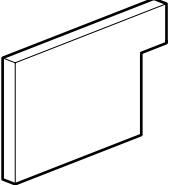
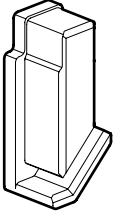
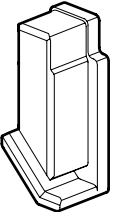
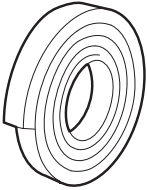

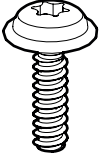
Kit

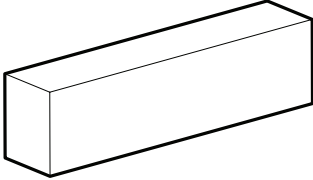
| | |
|--|--|
| <p>E</p>  <p>LEFT x1</p> | <p>F</p>  <p>RIGHT x1</p> |
|--|--|

Kit

| | | | |
|---|---|---|--|
| <p>G</p>  <p>x1</p> | <p>H</p>  <p>x1</p> | <p>I</p>  <p>x1</p> | <p>J</p>  <p>x1</p> |
| <p>K</p>  <p>x2</p> | <p>L</p>  <p>x2</p> | <p>M</p>  <p>M8x30 x18</p> | <p>N</p>  <p>M6x12 x14</p> |
| <p>O</p>  <p>x6</p> | <p>P</p>  <p>x6</p> | <p>Q</p>  <p>x2</p> | <p>R</p>  <p>x1</p> |

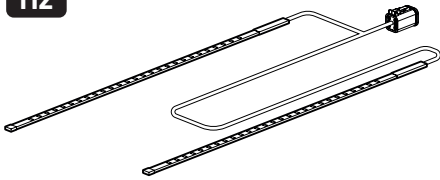
| Kit | | | |
|----------|--|----------|---|
| S |  | T |  |
| | x 2 | | x 2 |
| U |  | V |  |
| x 2 | M6x30 | x 2 | |
| W |  | X |  |
| | x 5 | M6x16 | x 5 |

| Kit | | | |
|-----------|--|-----------|---|
| A2 |  | B2 |  |
| | x 1 | | x 1 |
| C2 |  | D2 |  |
| | x 1 | | x 1 |
| E2 |  | F2 |  |
| | x 1 | | x 1 |
| G2 |  | H2 |  |
| x 1 | 6x25mm | x 2 | |
| I2 |  | J2 |  |
| | 6x10mm | x 1 | M5x14 |
| | | | x 2 |

| Kit | |
|-------------|---|
| K2 |  |
| 20x25x100mm | x 2 |

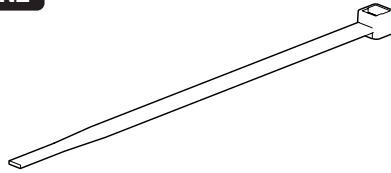
LED Kit

M2



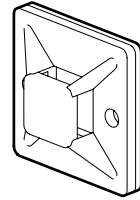
x1

N2



x6

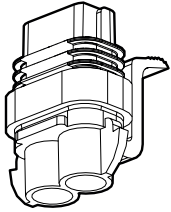
O2



x6

Power supply kit

P2



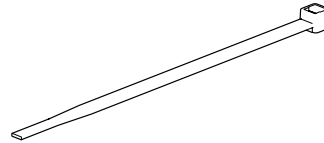
x1

Q2



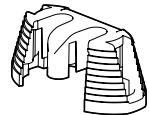
x1

R2



x6

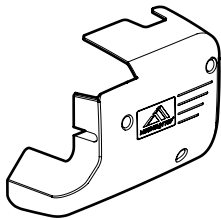
S2



x1

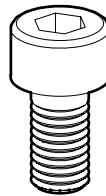
Kit

T2



x1

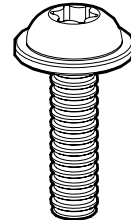
U2



M5x10

x3

V2

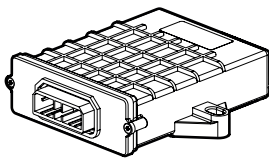


M6x20

x2

Kit

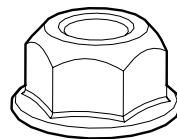
W2



x1

Kit

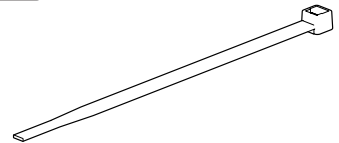
Z2



M6

x2

Z3



x12

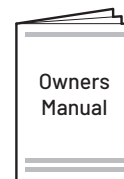
Kit



x1

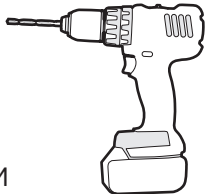
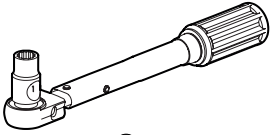

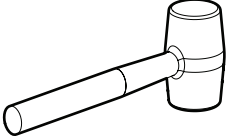
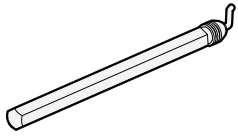
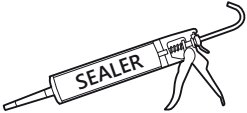
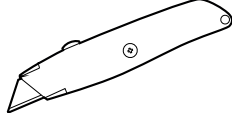
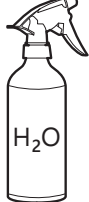
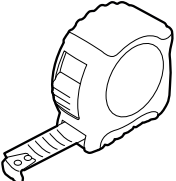


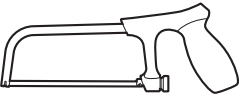



x1

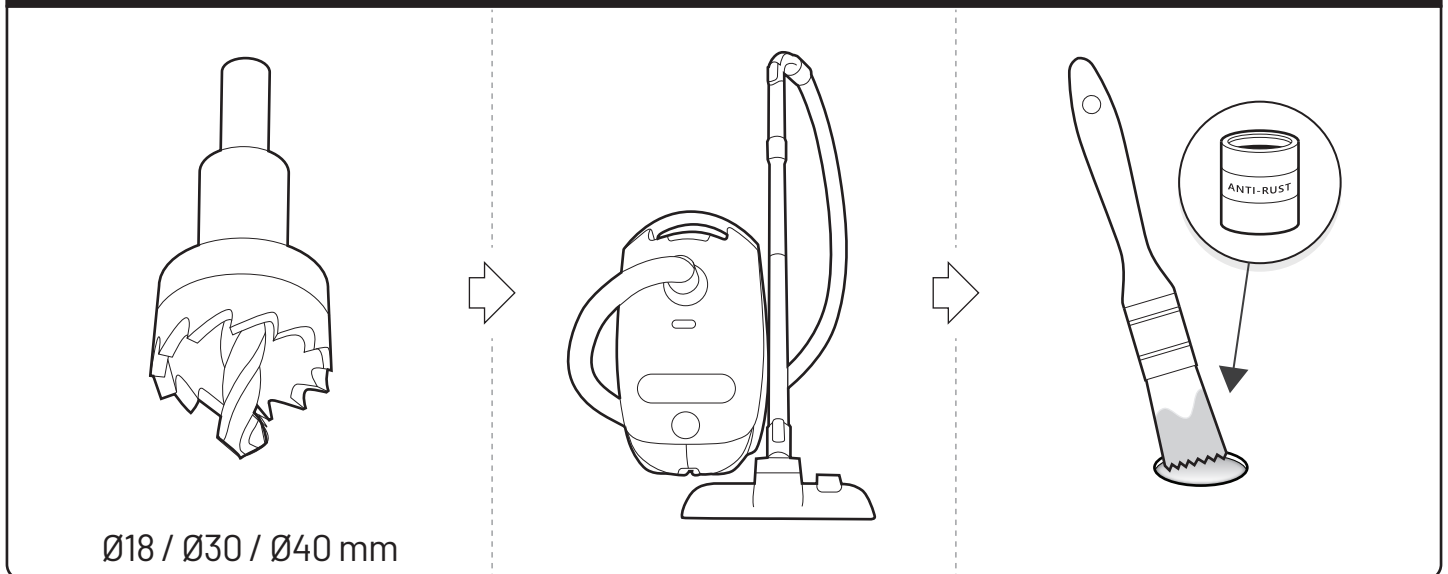


x1

Tools needed

| | | | | |
|--|--|---|--|---|
|  <p>Ø3.5 + Ø10 MM</p> | <p>1 - 25 Nm</p>  <p>★ T20, T30, T40, T45</p> |  <p>Rust protection Rostschutzmittel Anti-rouille Anti roest</p> | | |
|  |  |  |  |  |
|  |  |  |  |  |

Applying rust protection

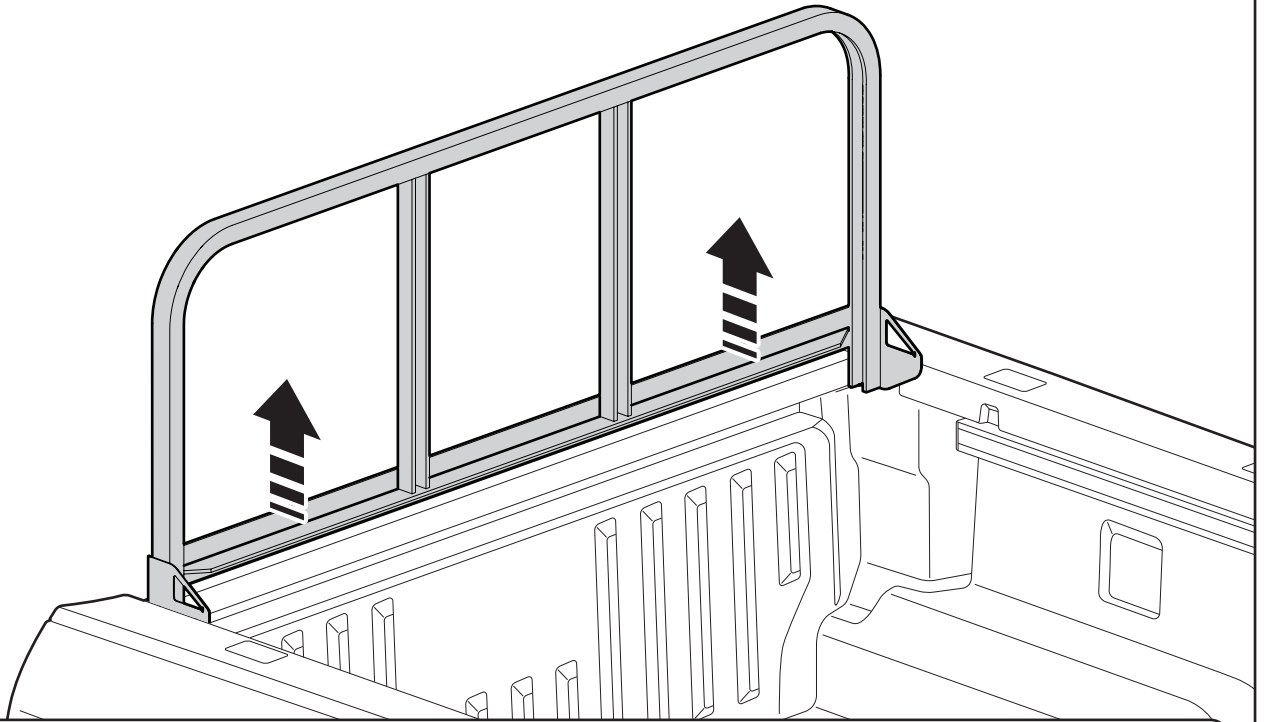




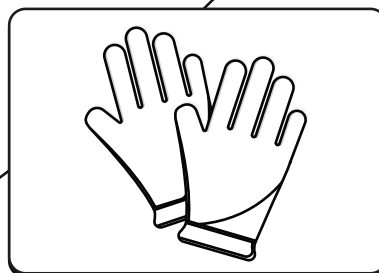
**If sheet metal is scratched during installation,
apply rust protection to damaged areas**

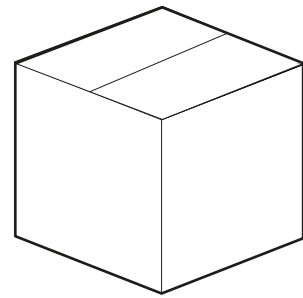
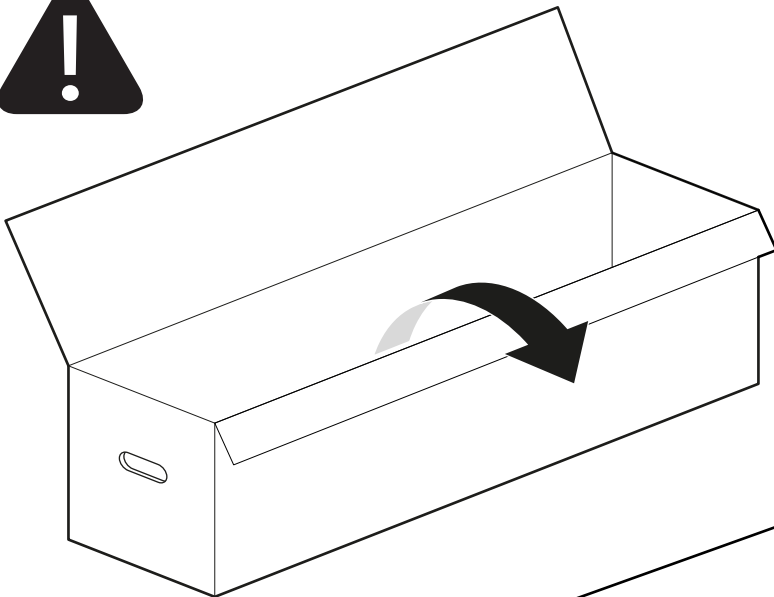
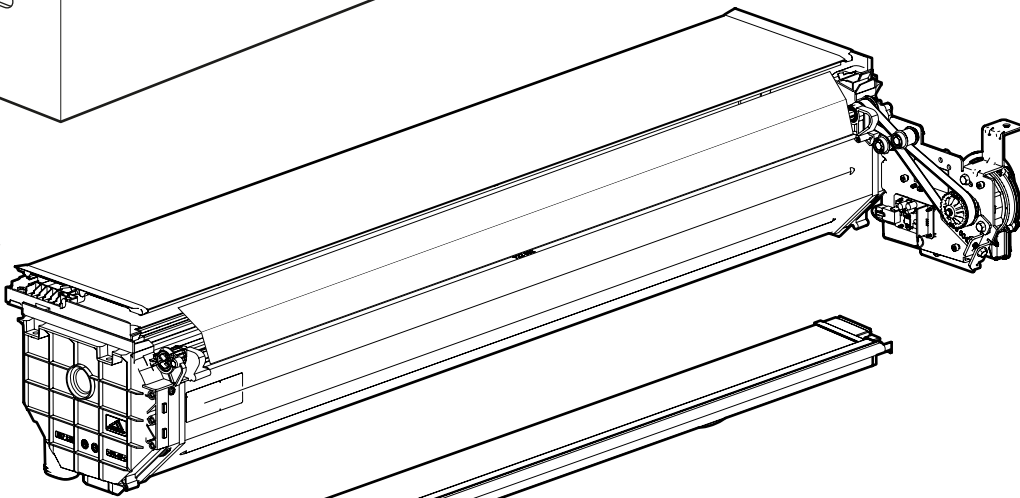
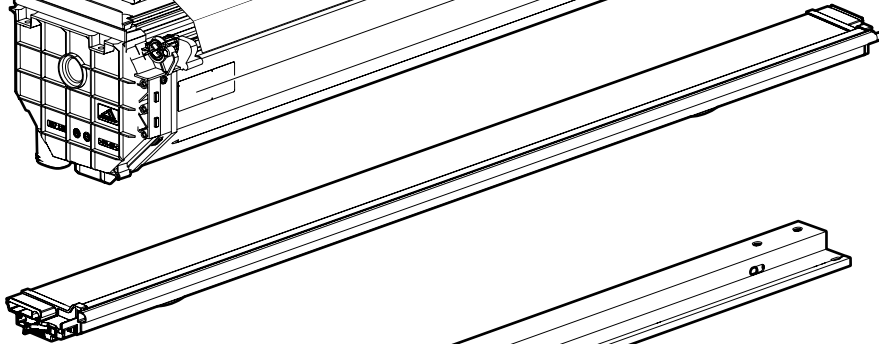
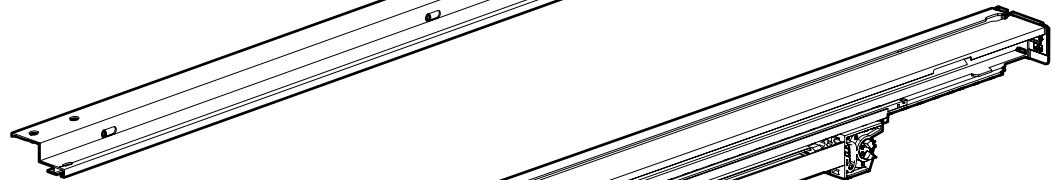
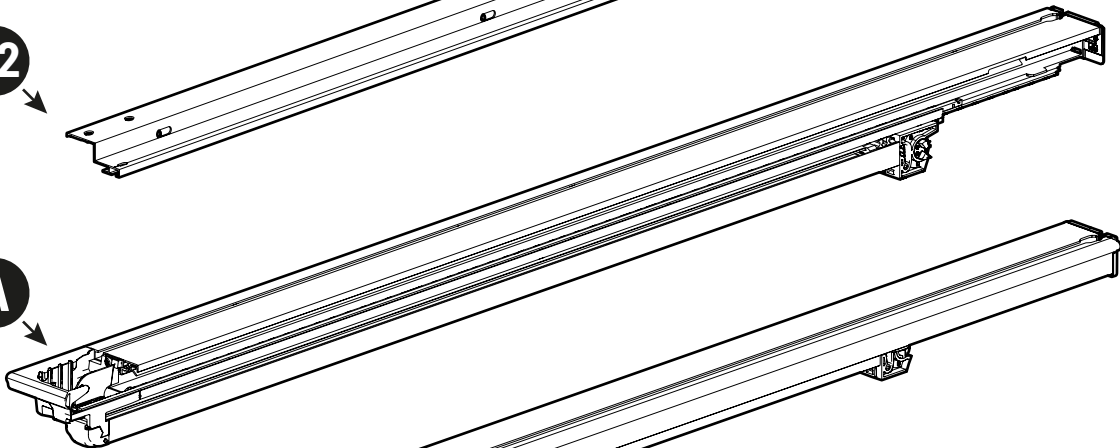
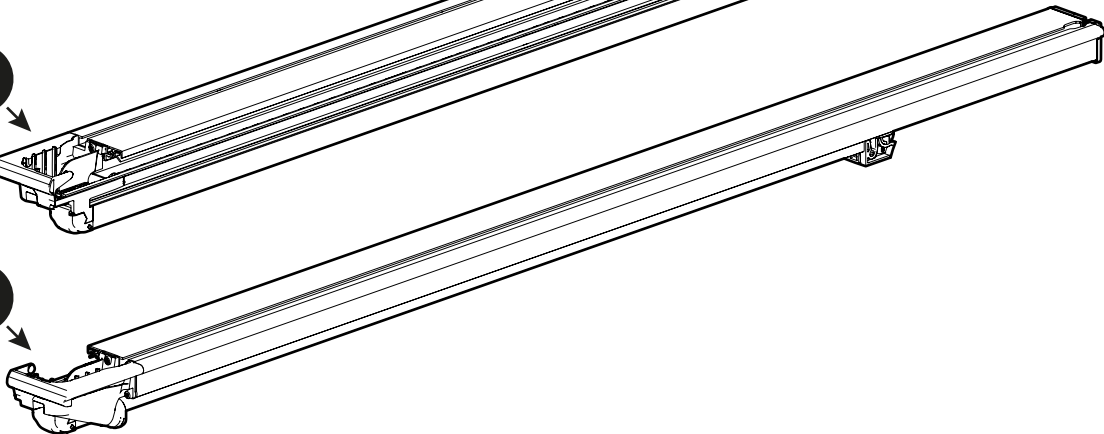


**Rollershutter brackets need to be fitted
directly onto the sheet metal**



Rollershutter not compatible with load rest bar - part cannot be re-installed once Rollershutter have been installed (store parts)

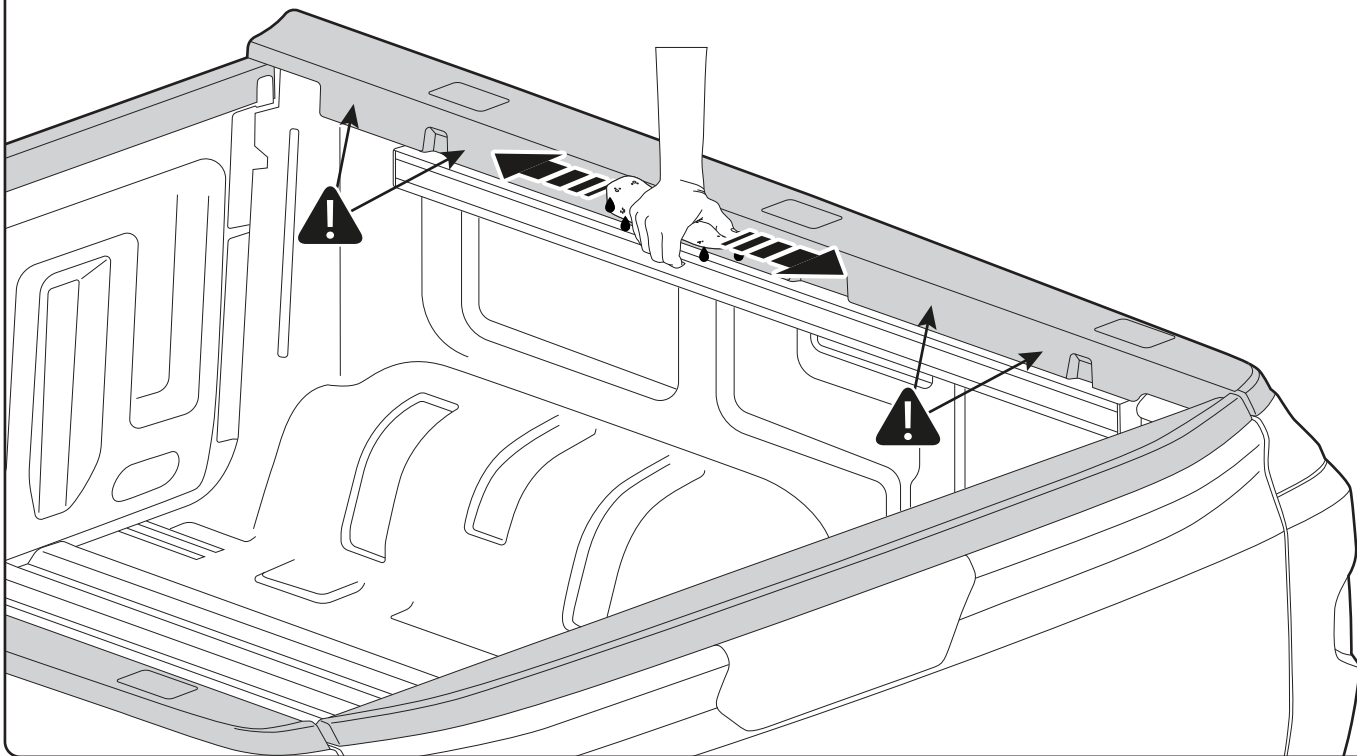


**C****D****A2****A****B**

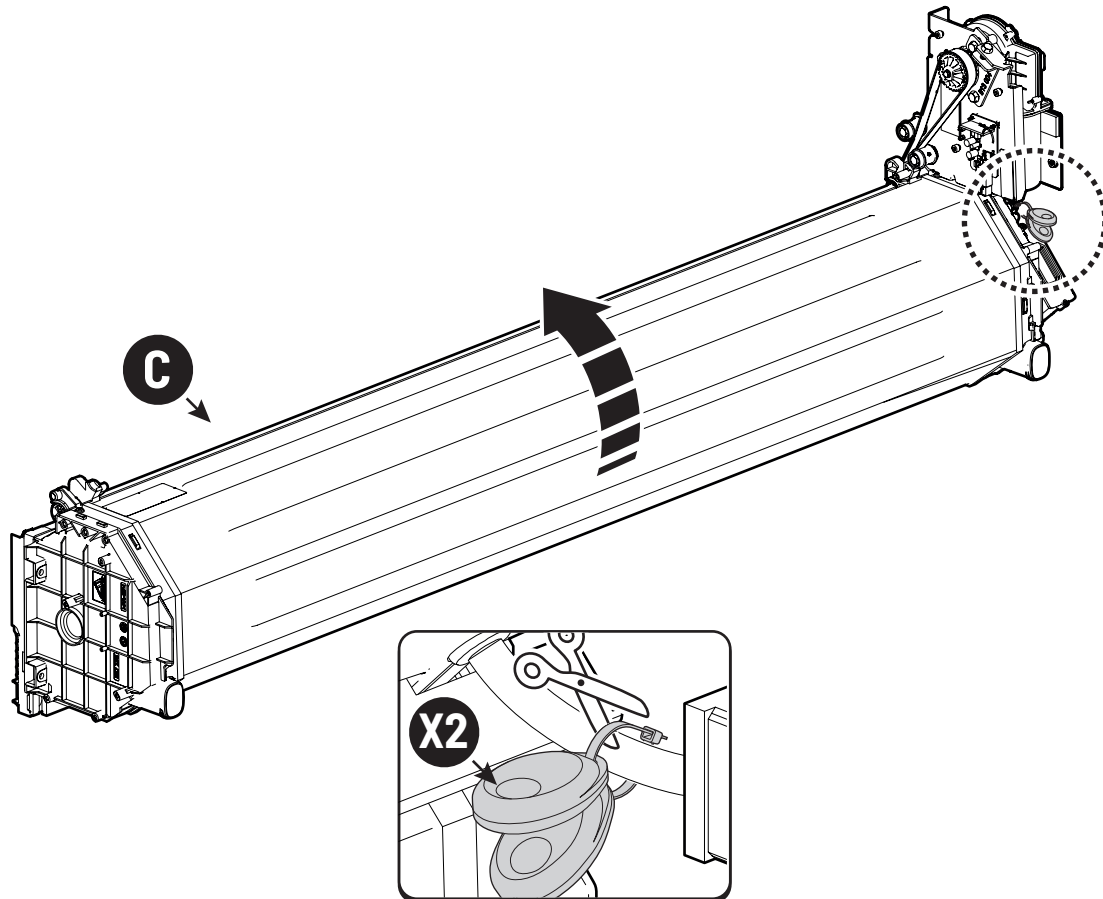
 Water & sponge

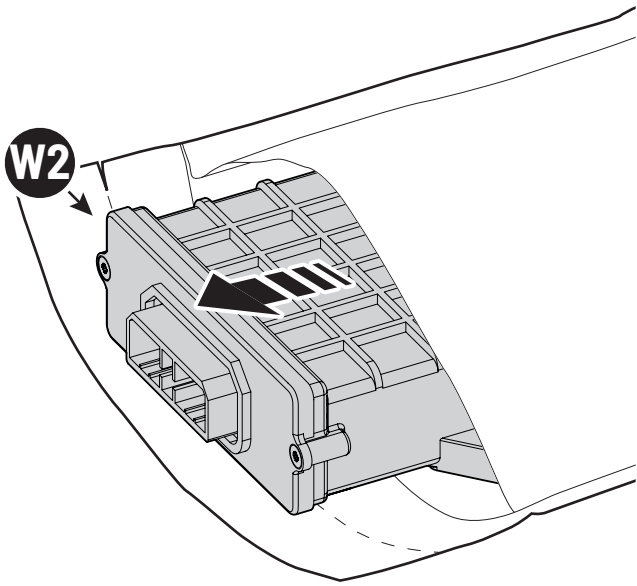


2

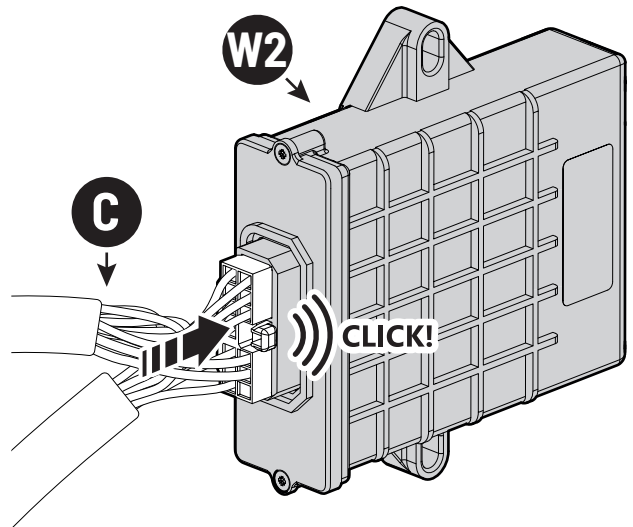


3



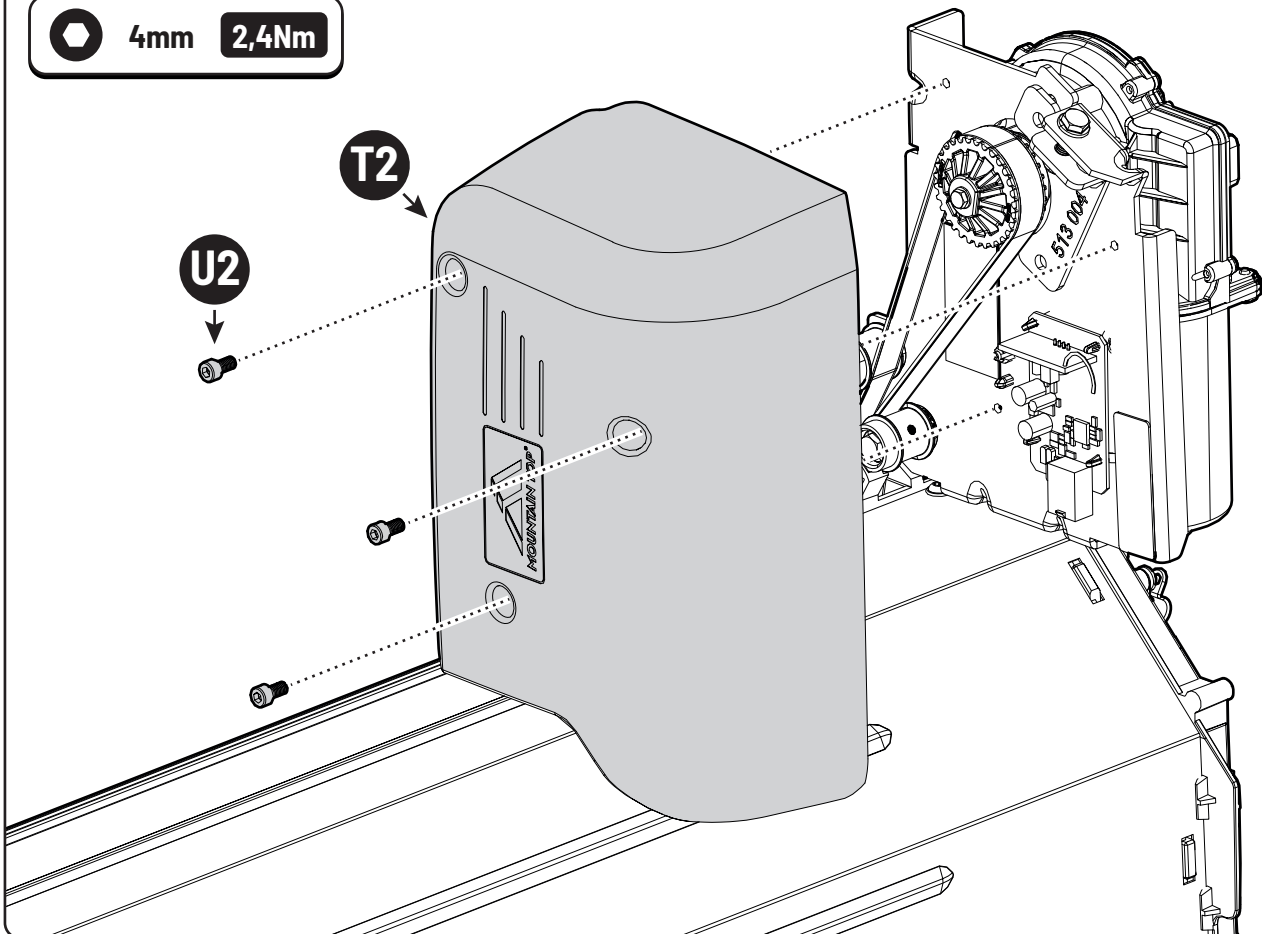


1

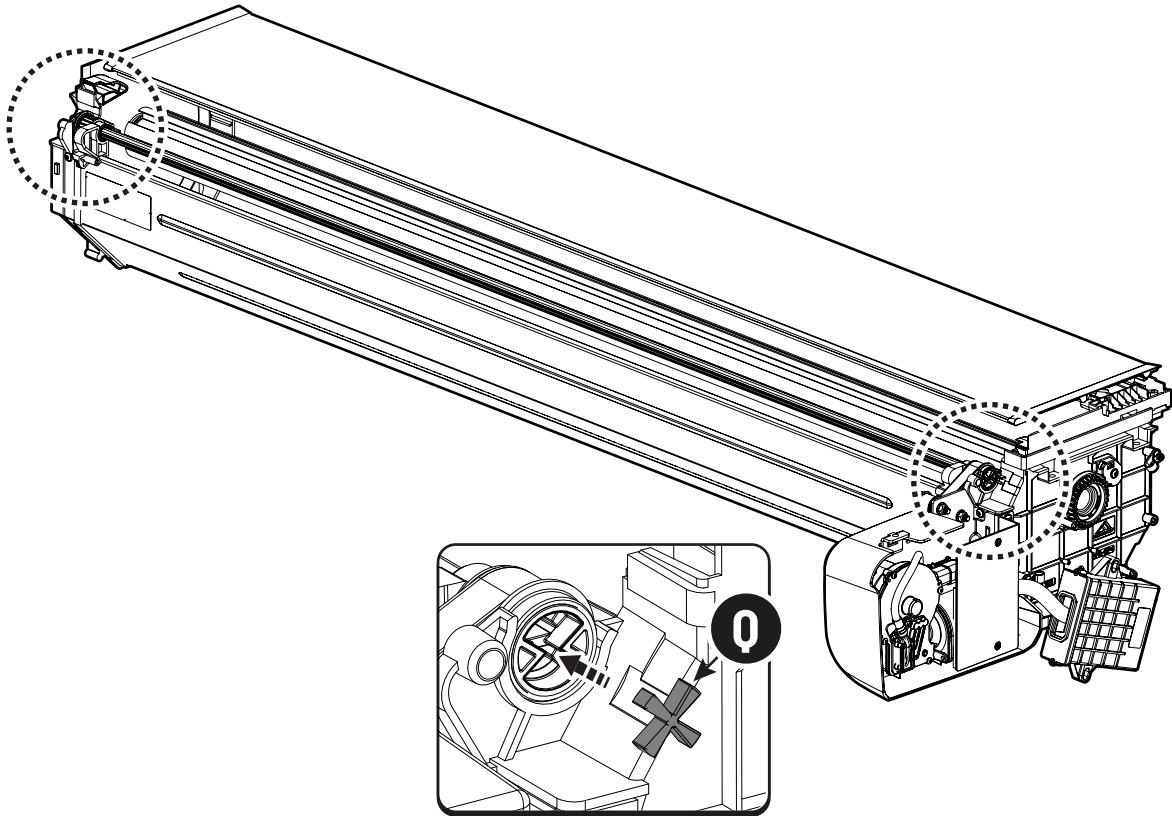


2

4mm 2,4Nm

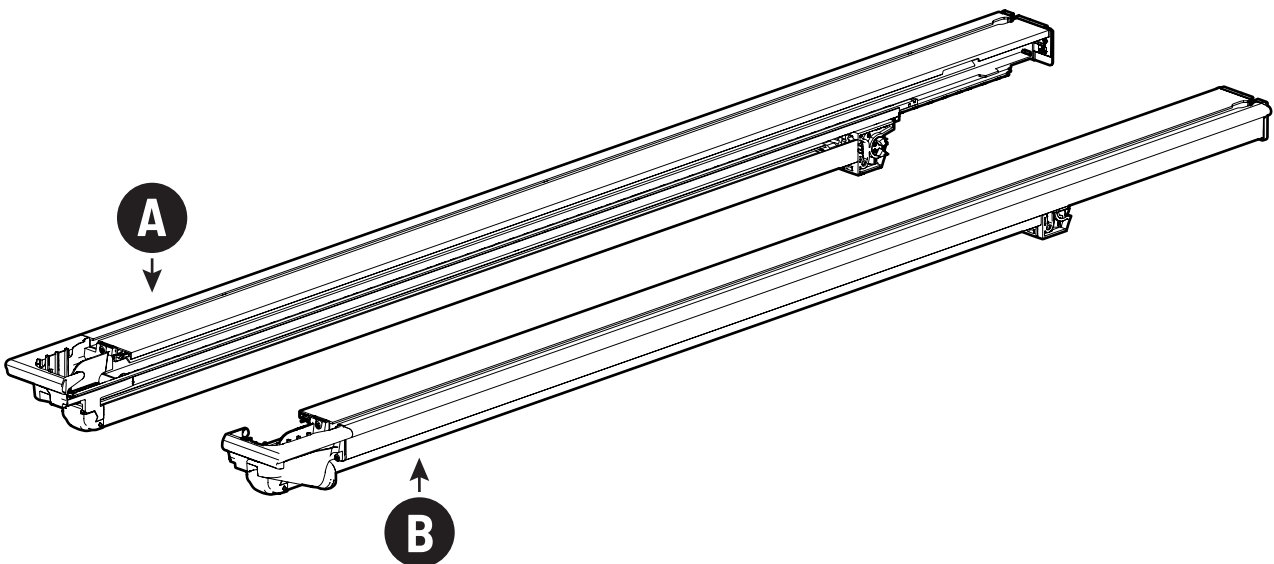


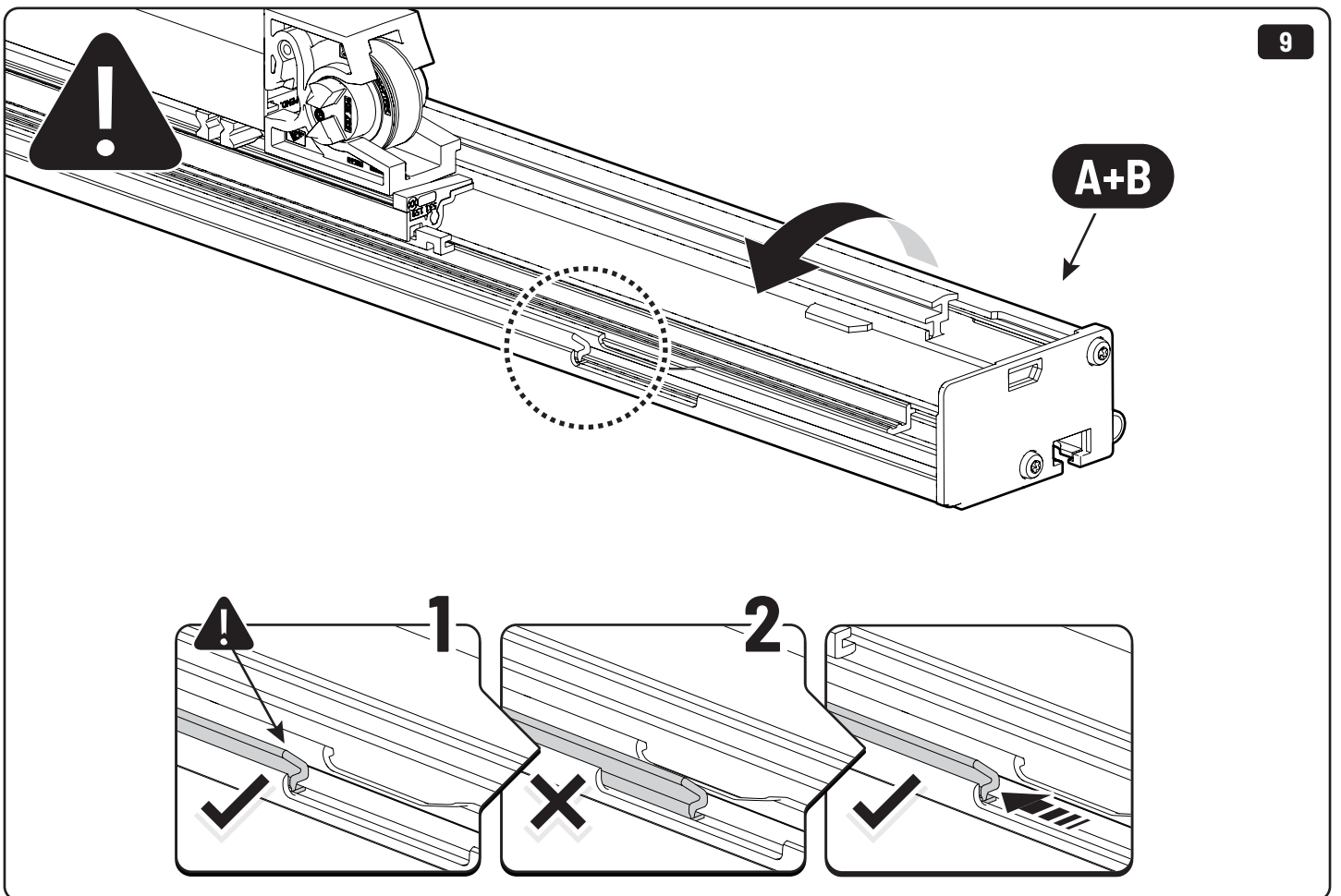
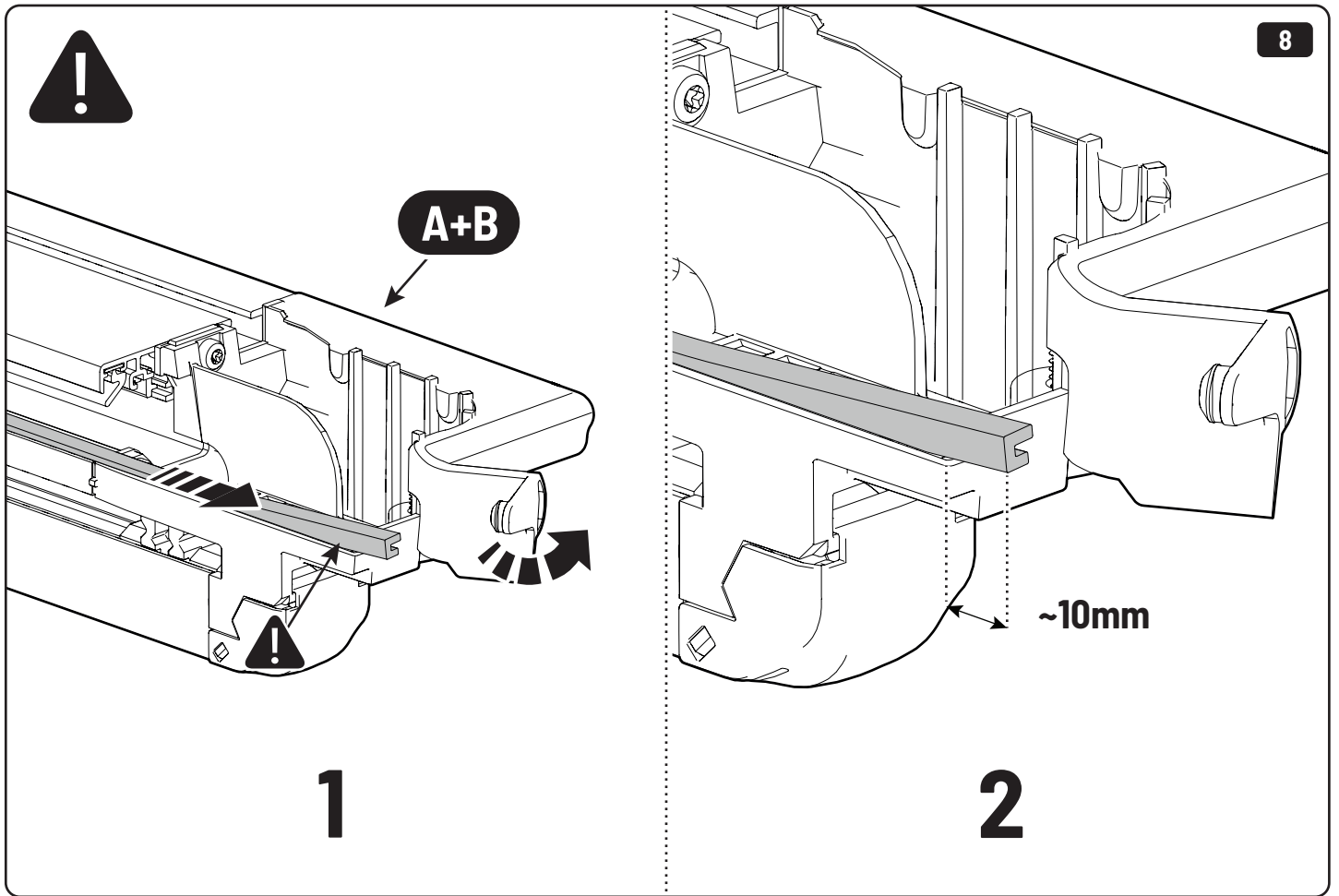
6

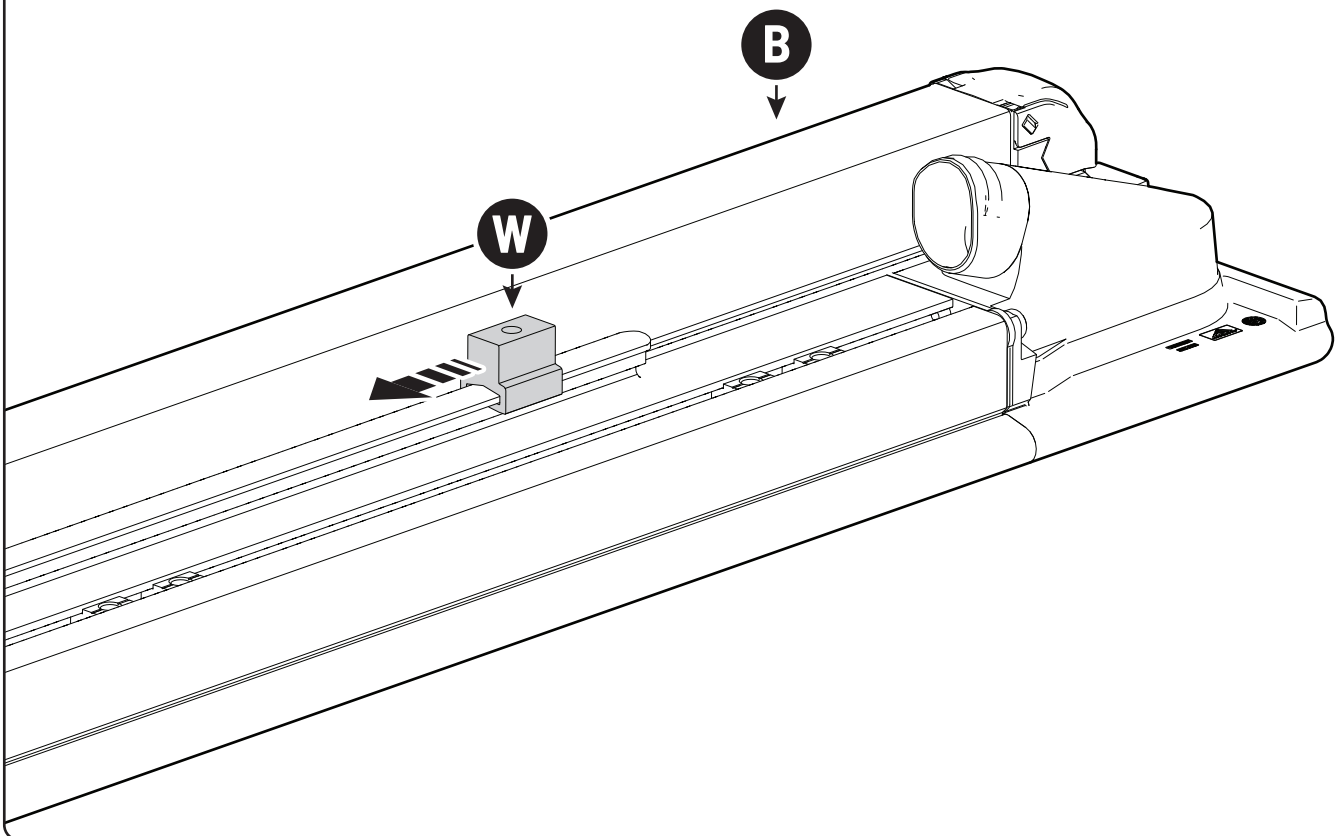
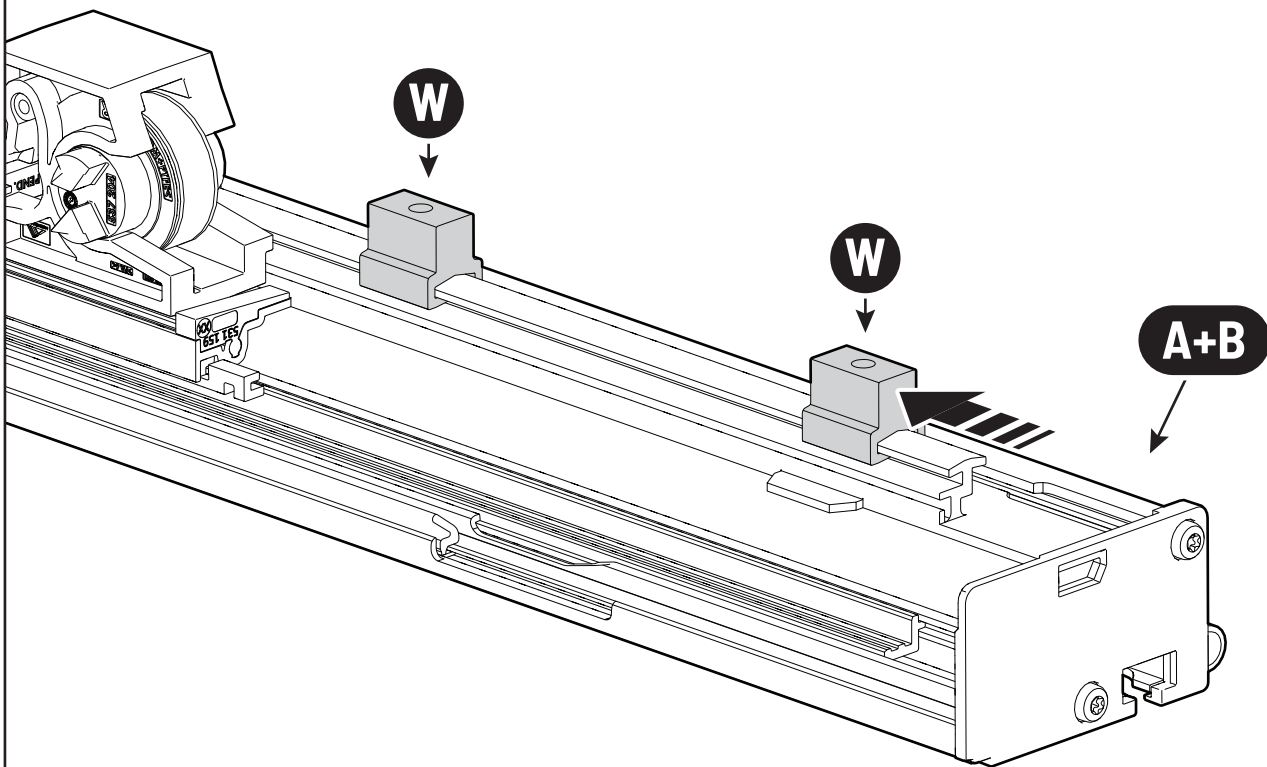


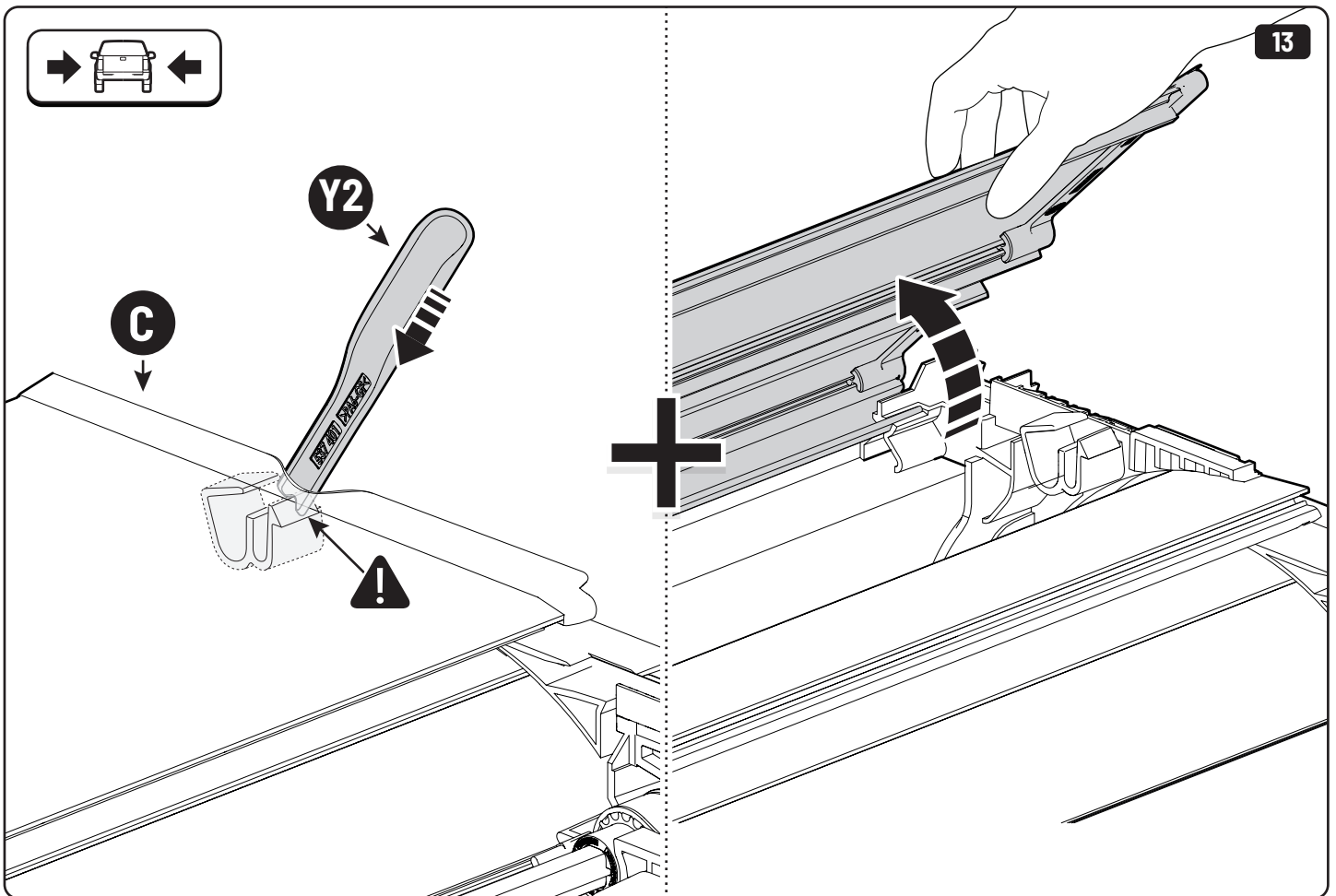
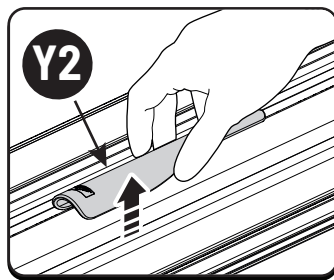
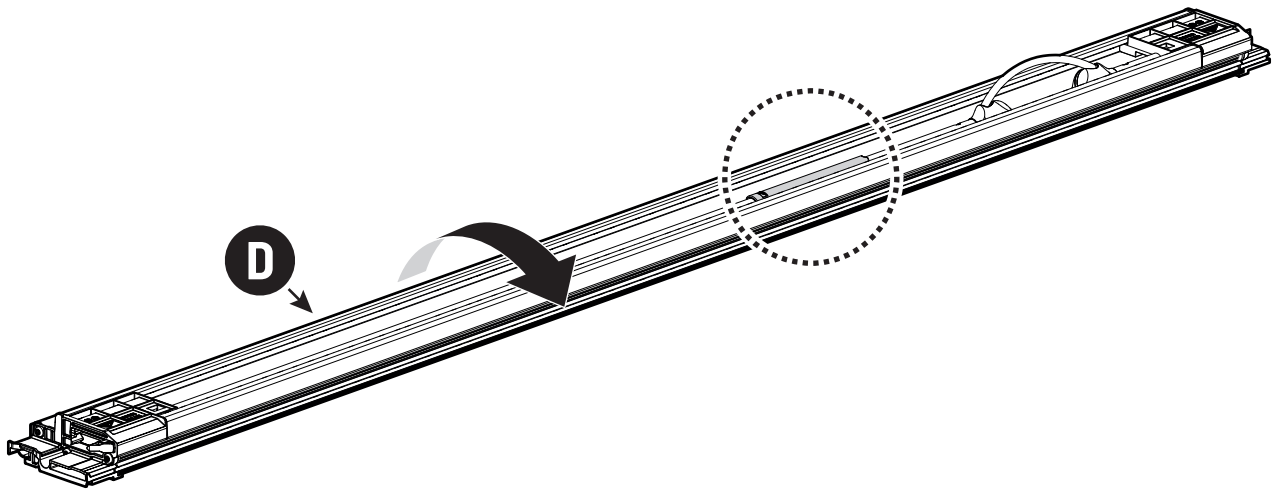
x2

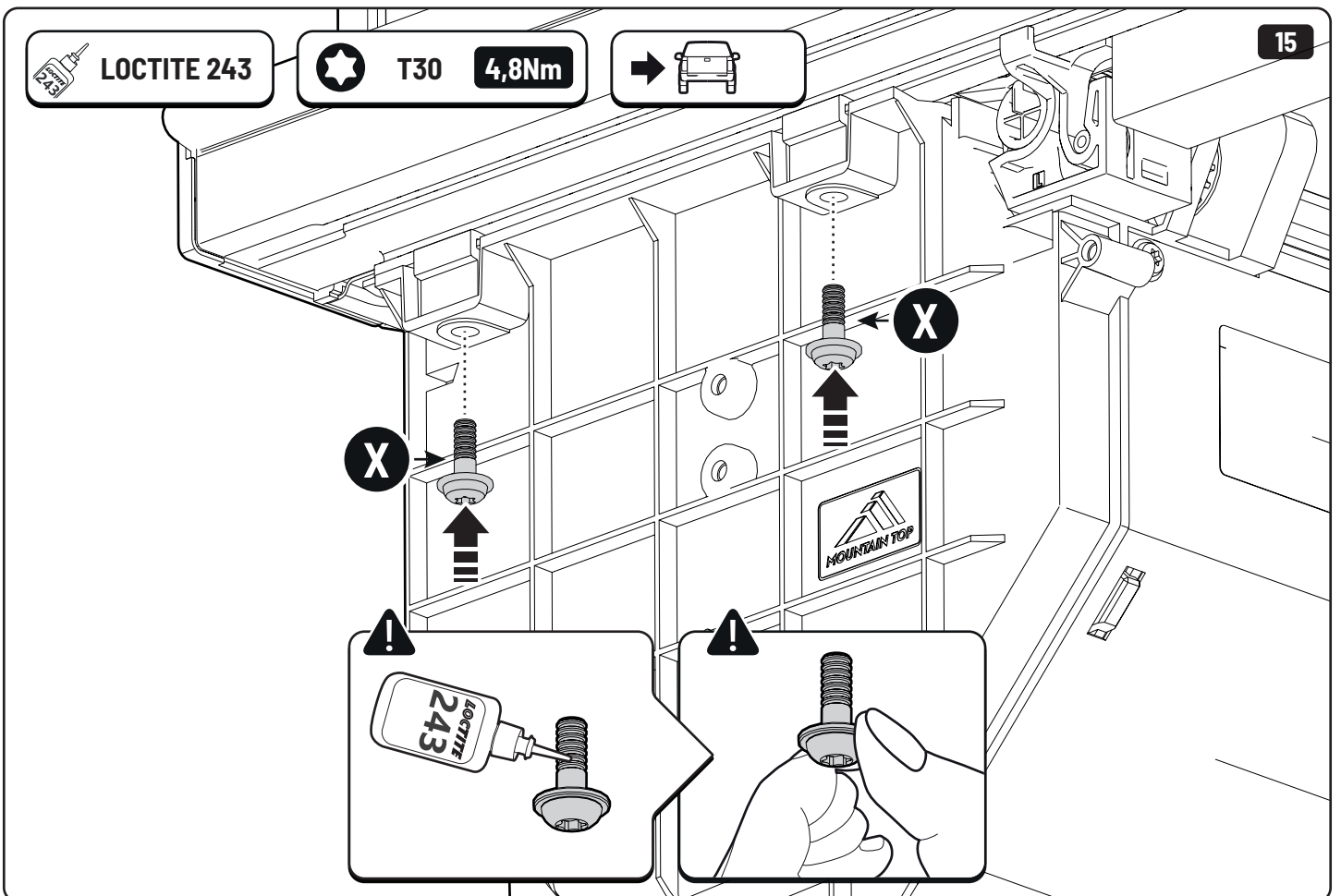
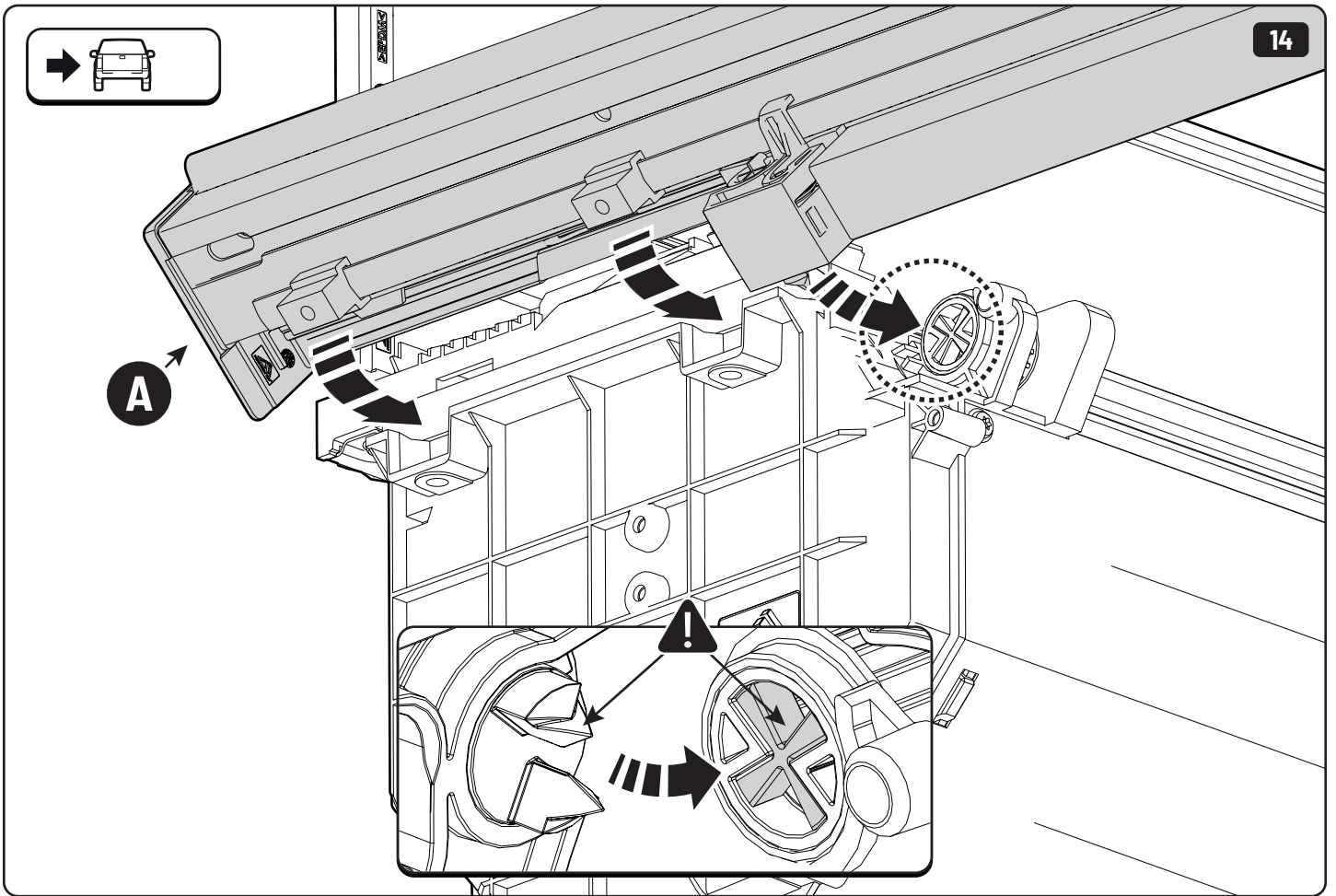
7





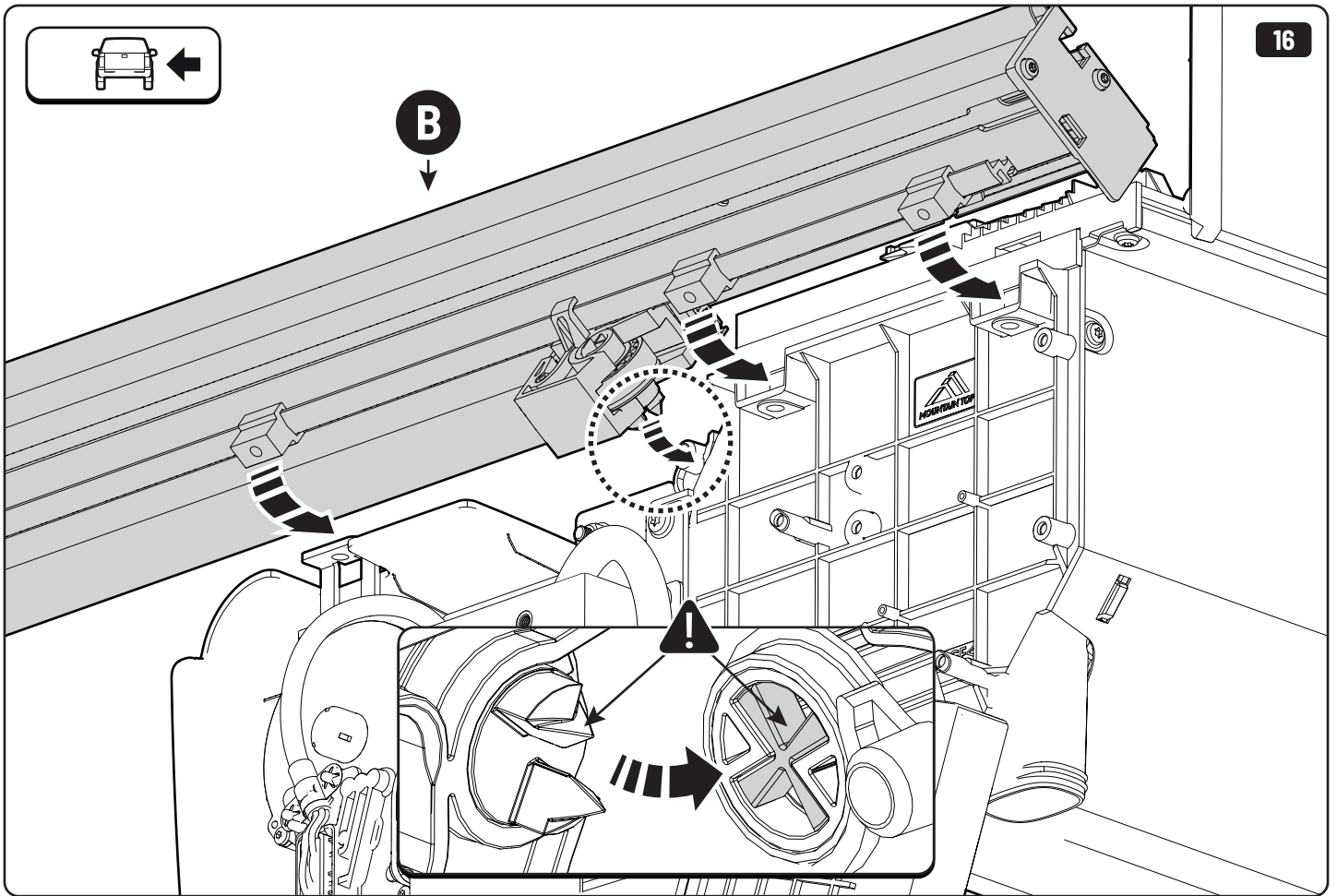




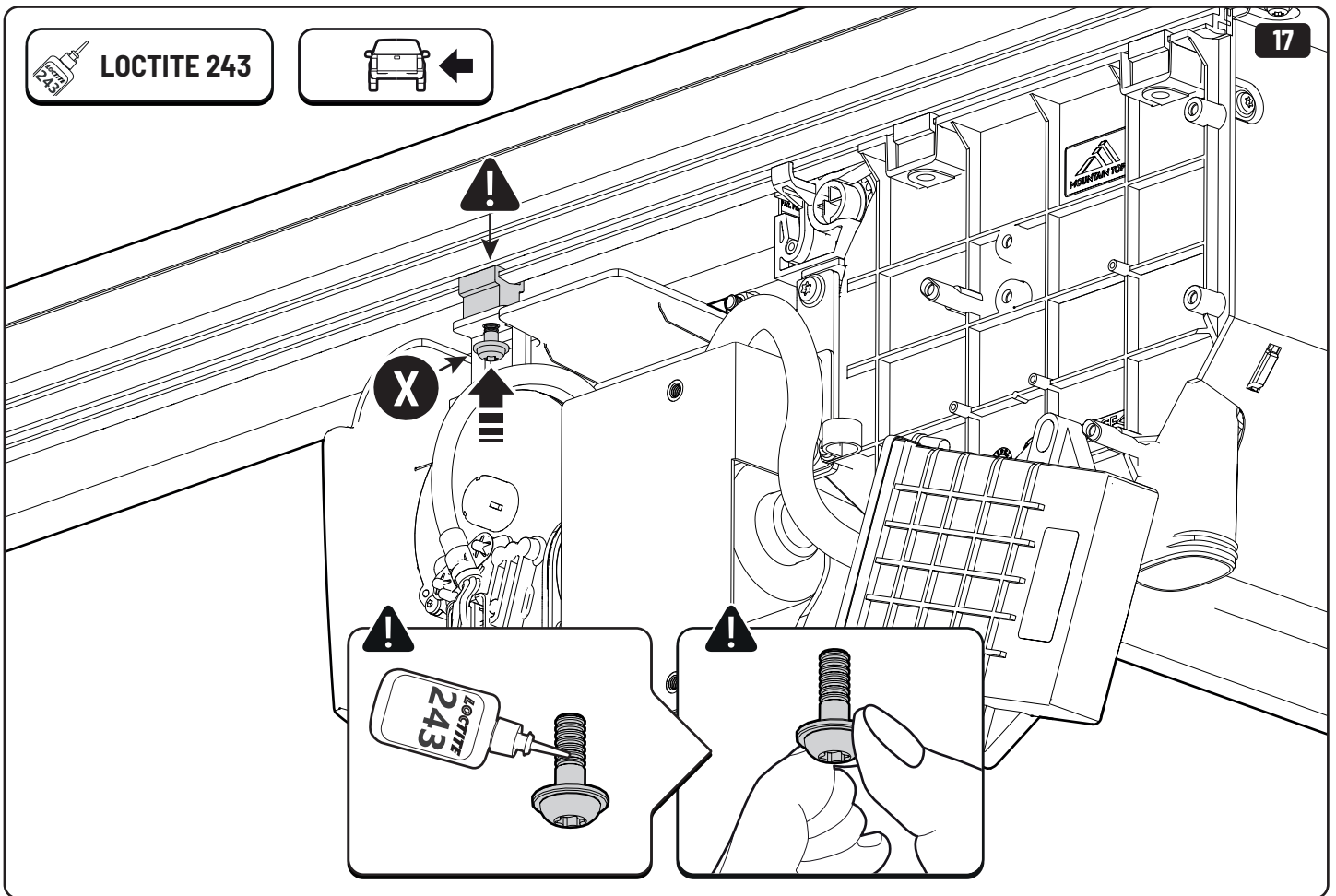


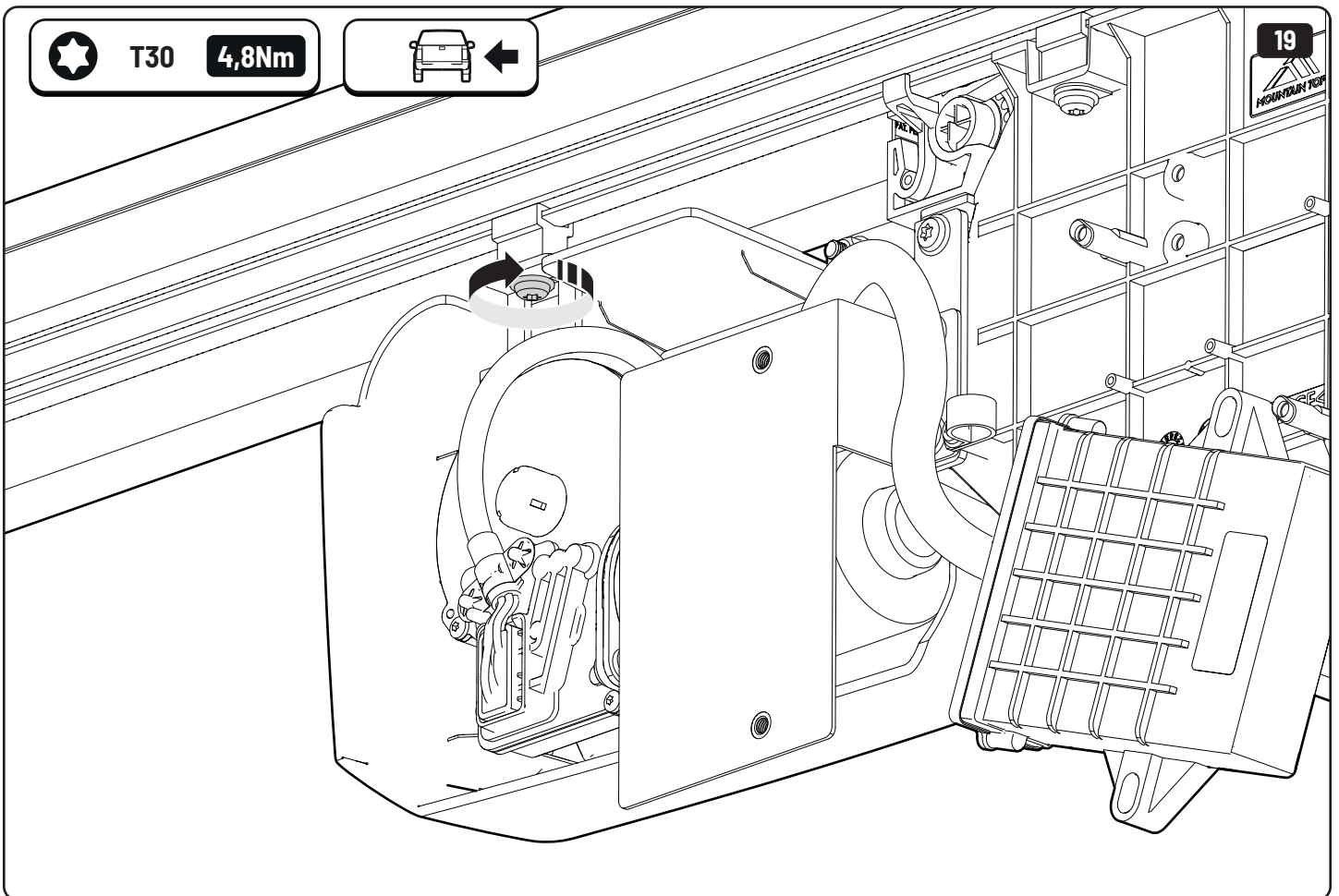
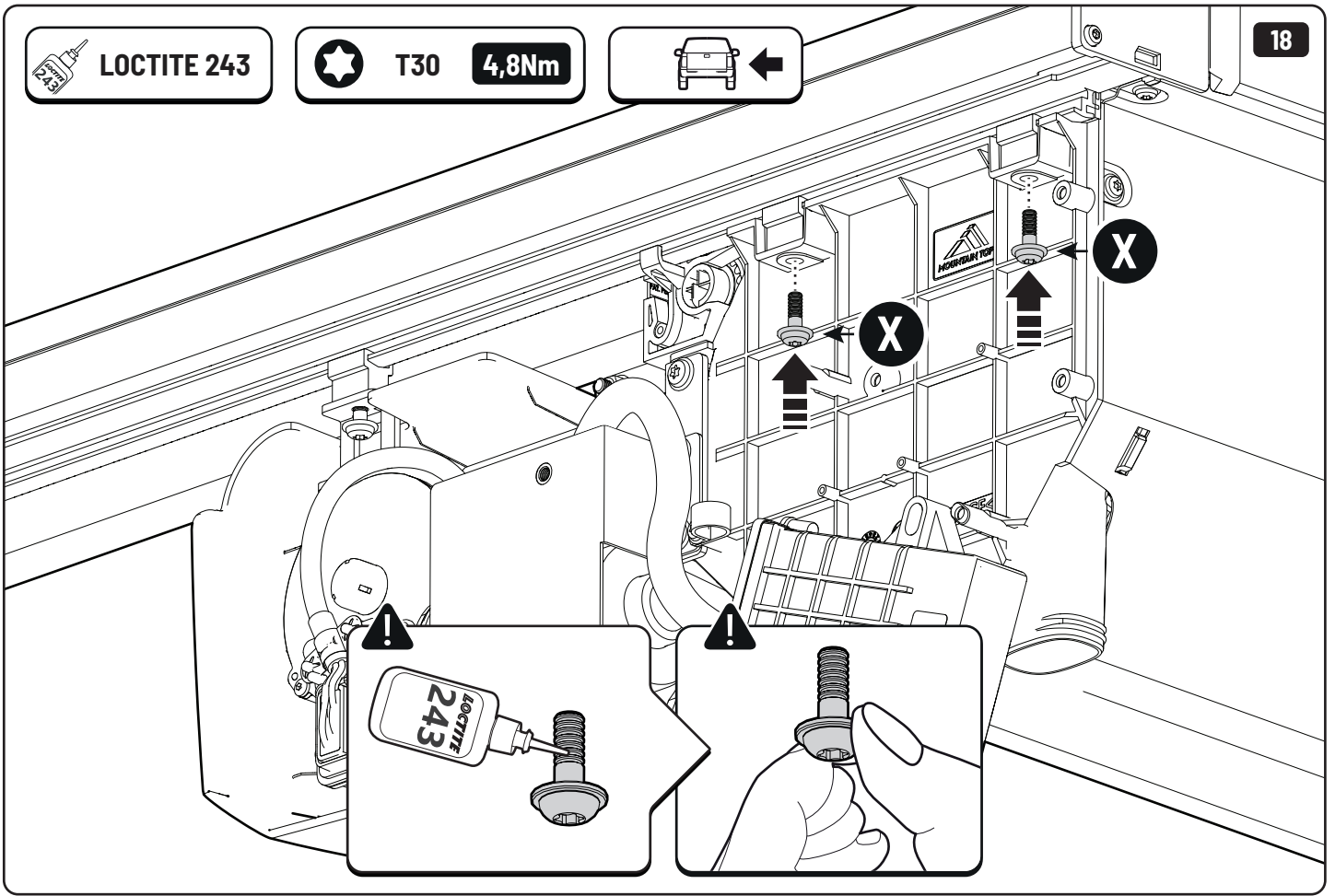


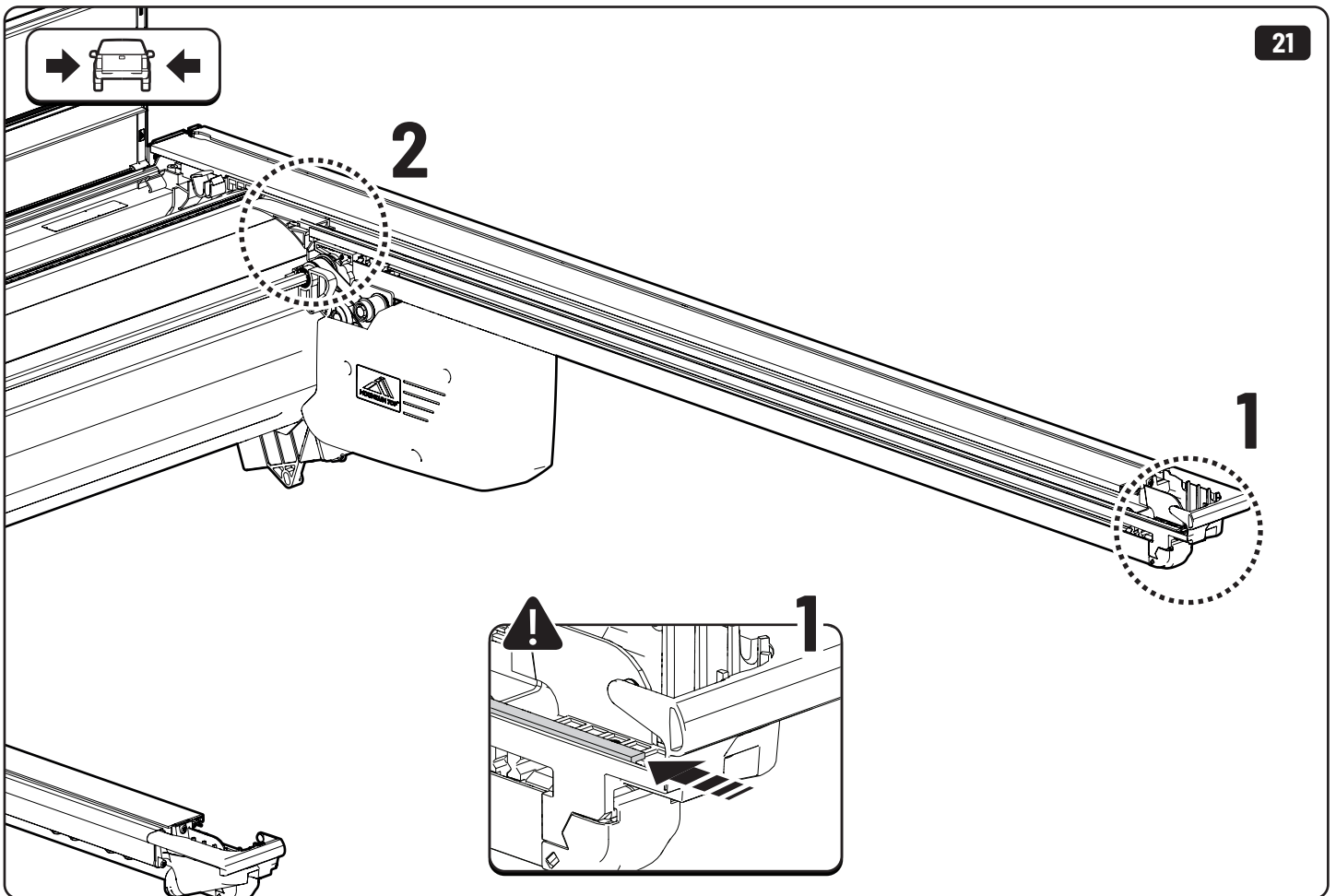
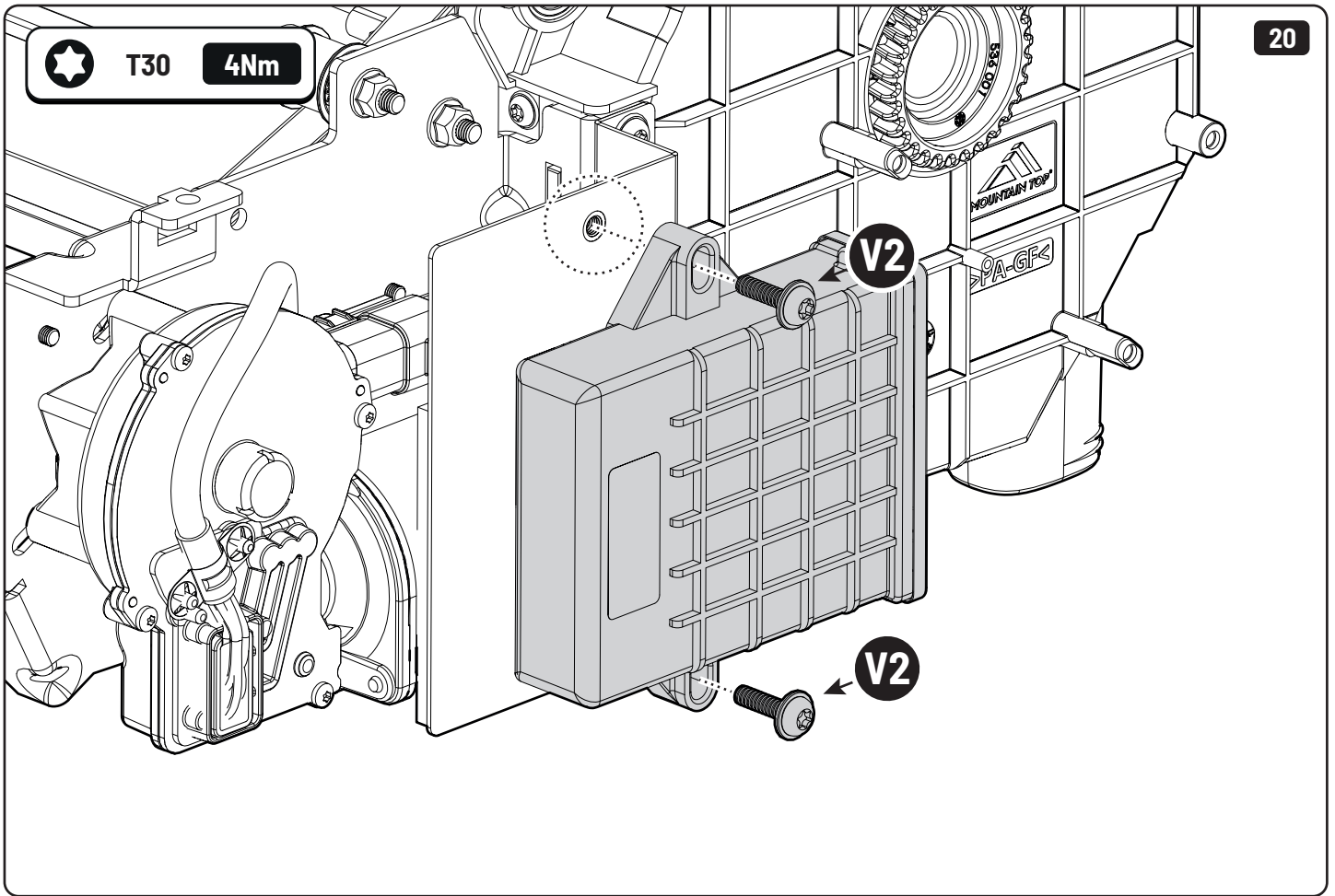
B
↓

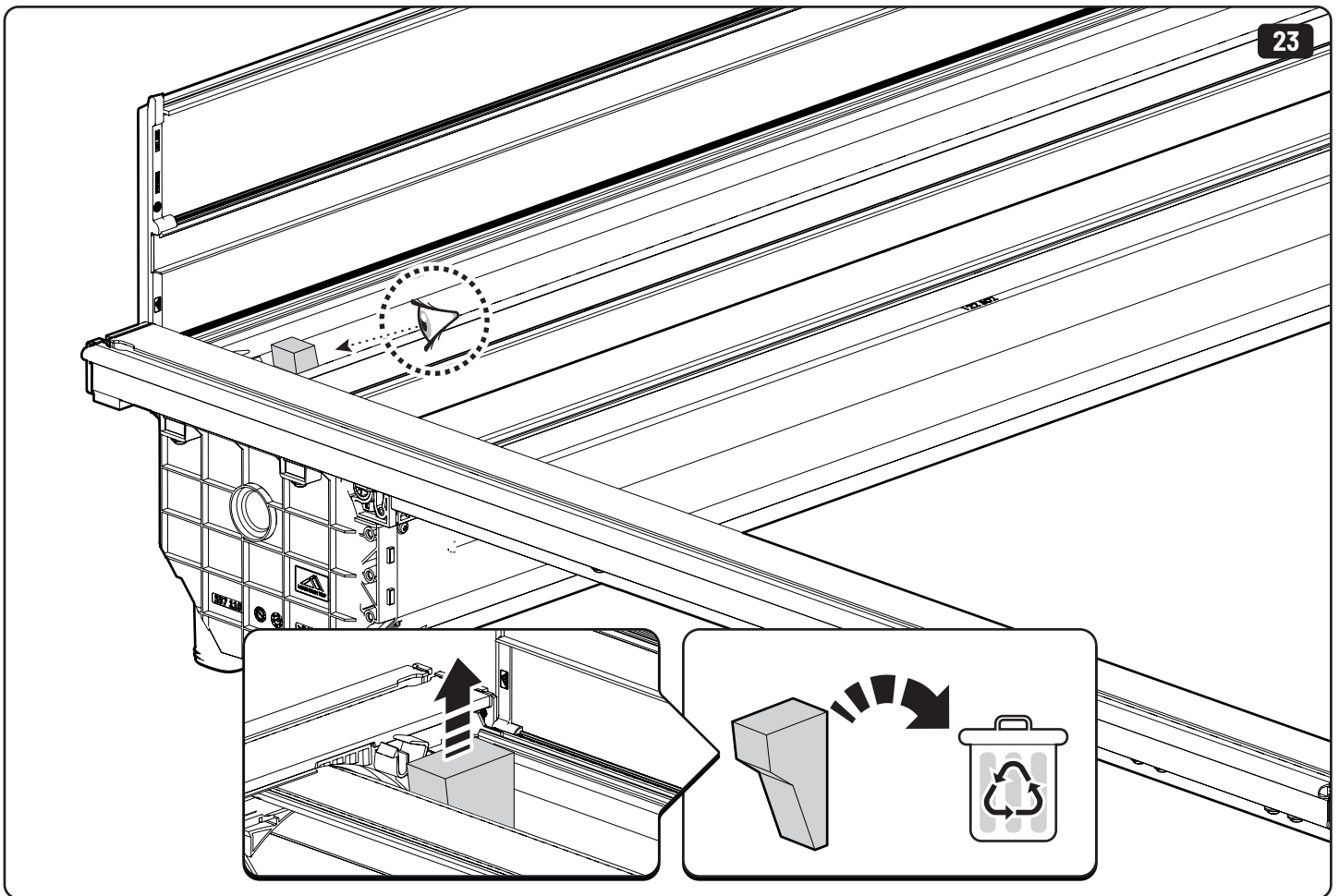
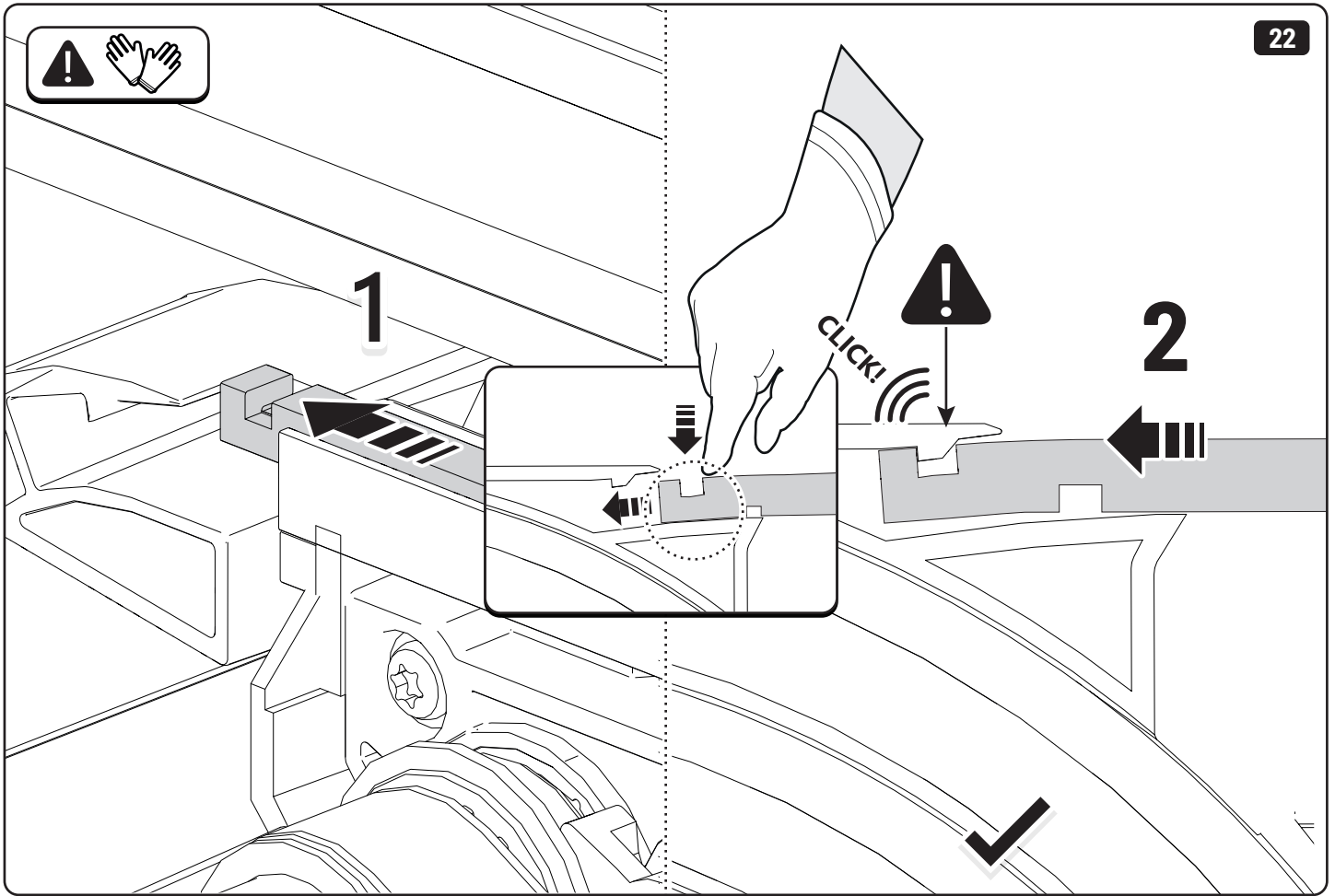


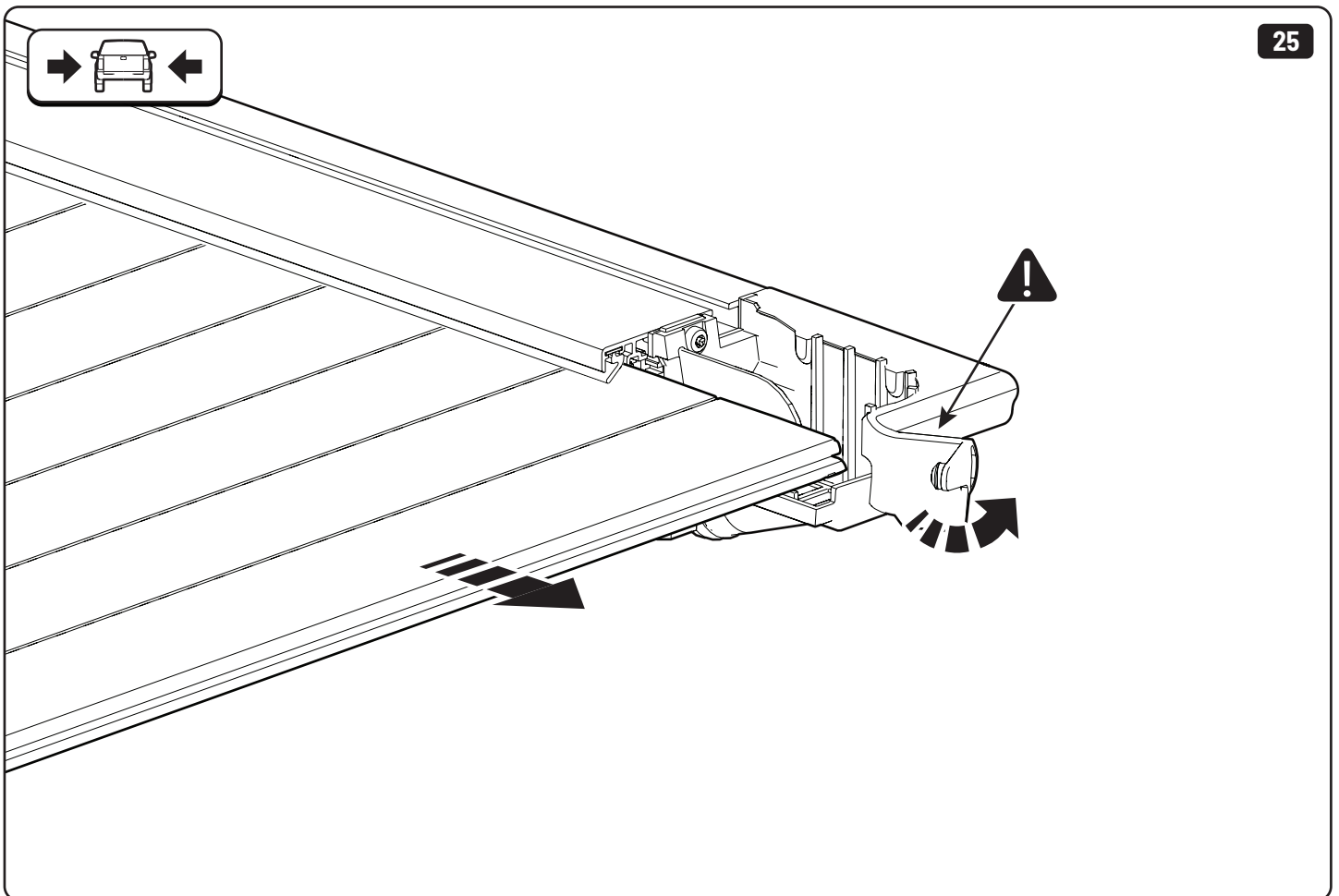
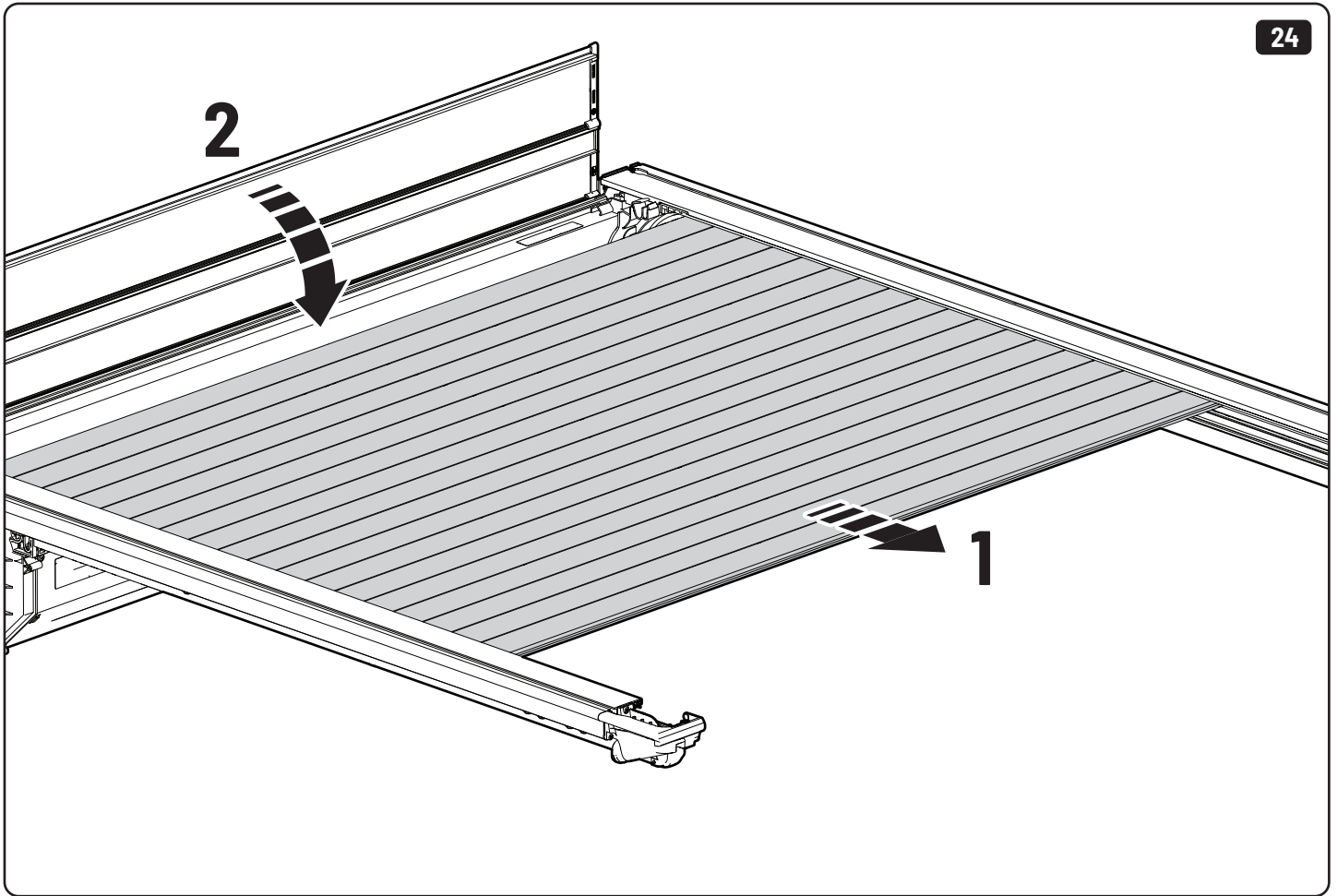
 **LOCTITE 243**

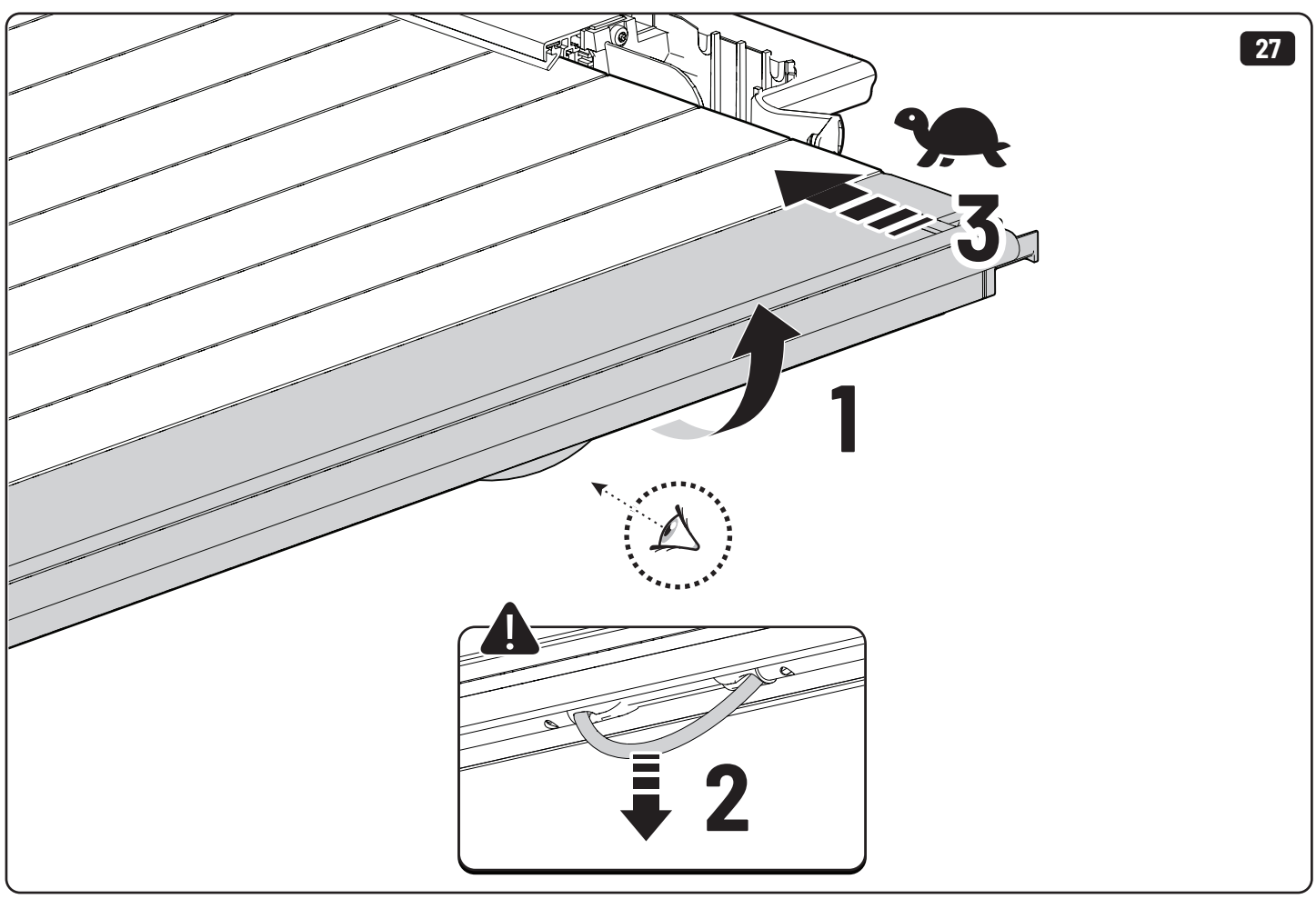
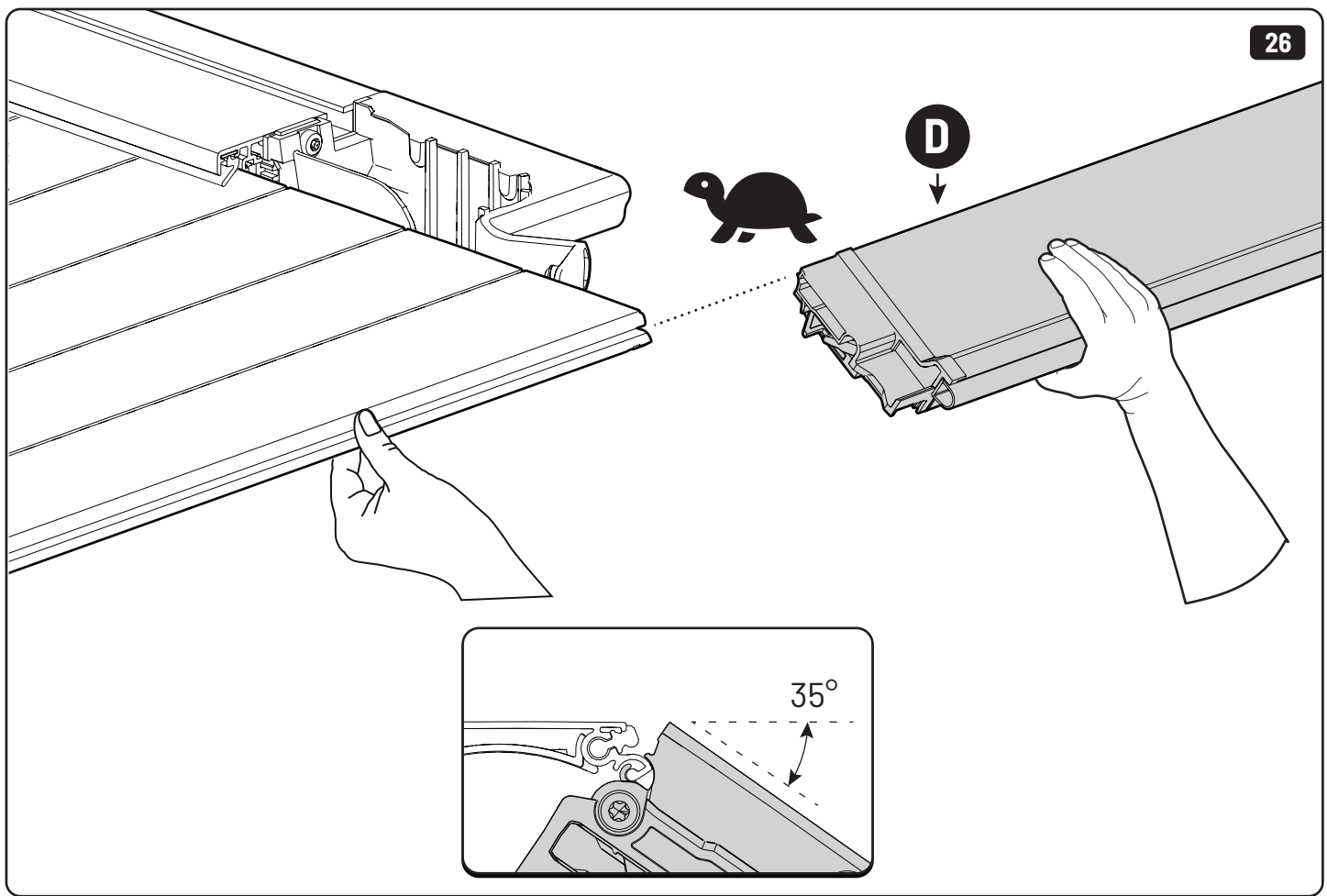


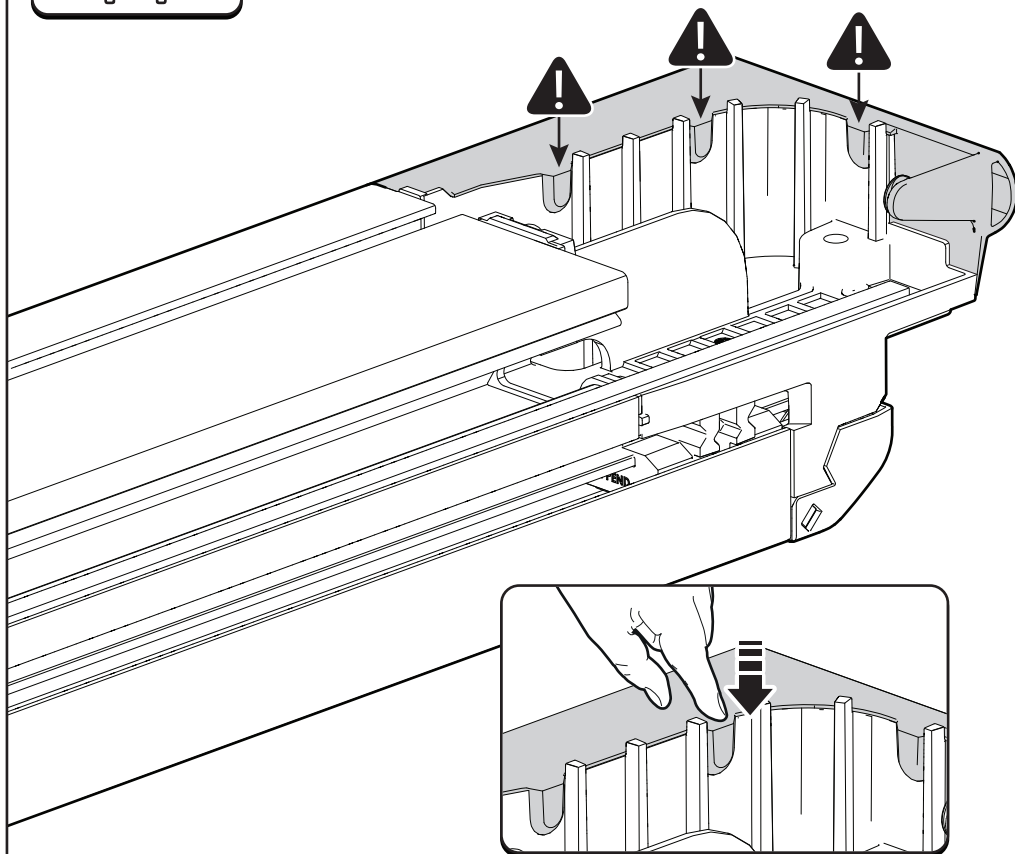
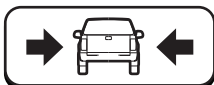
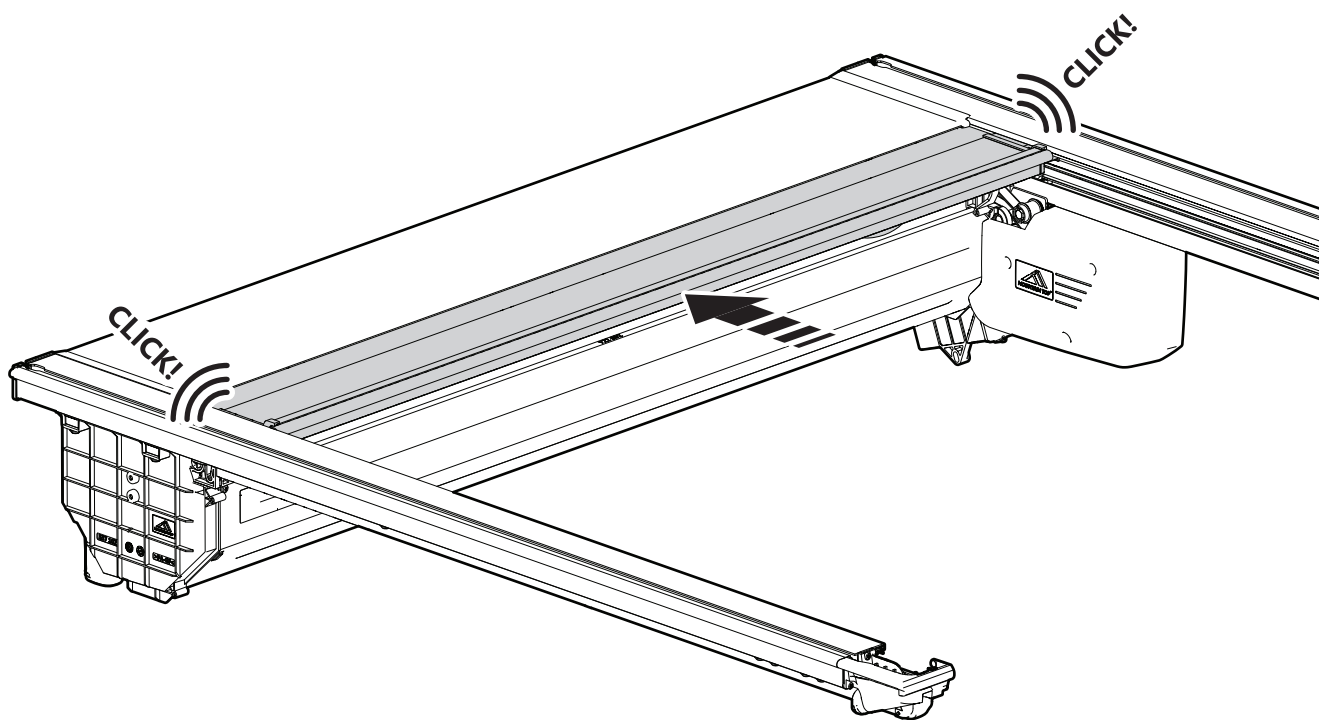




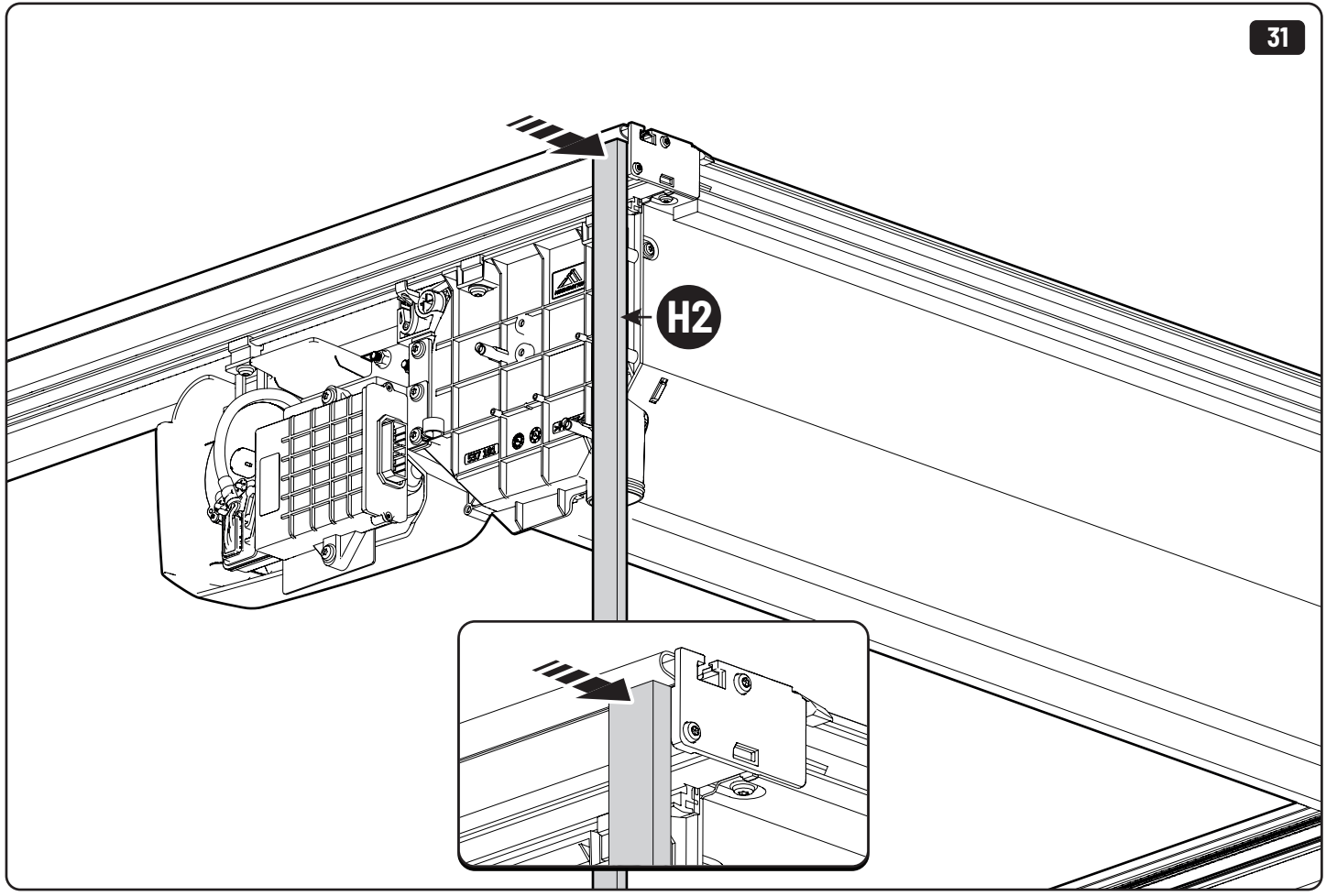
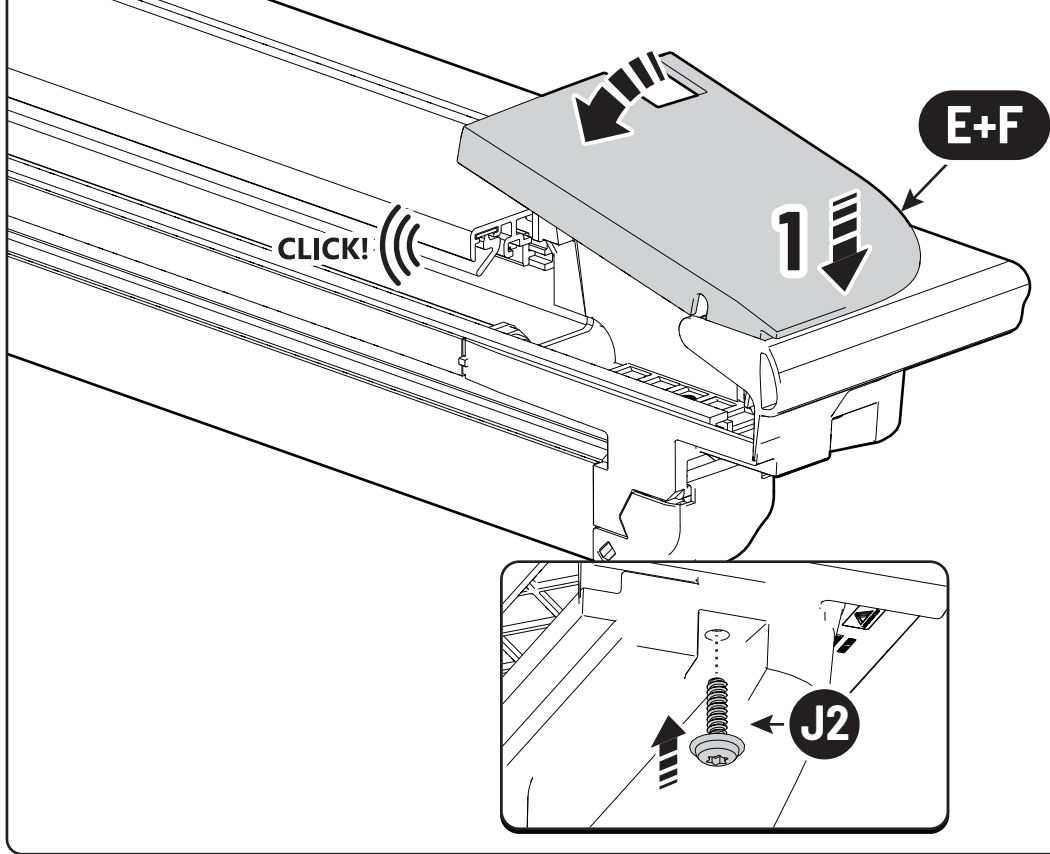


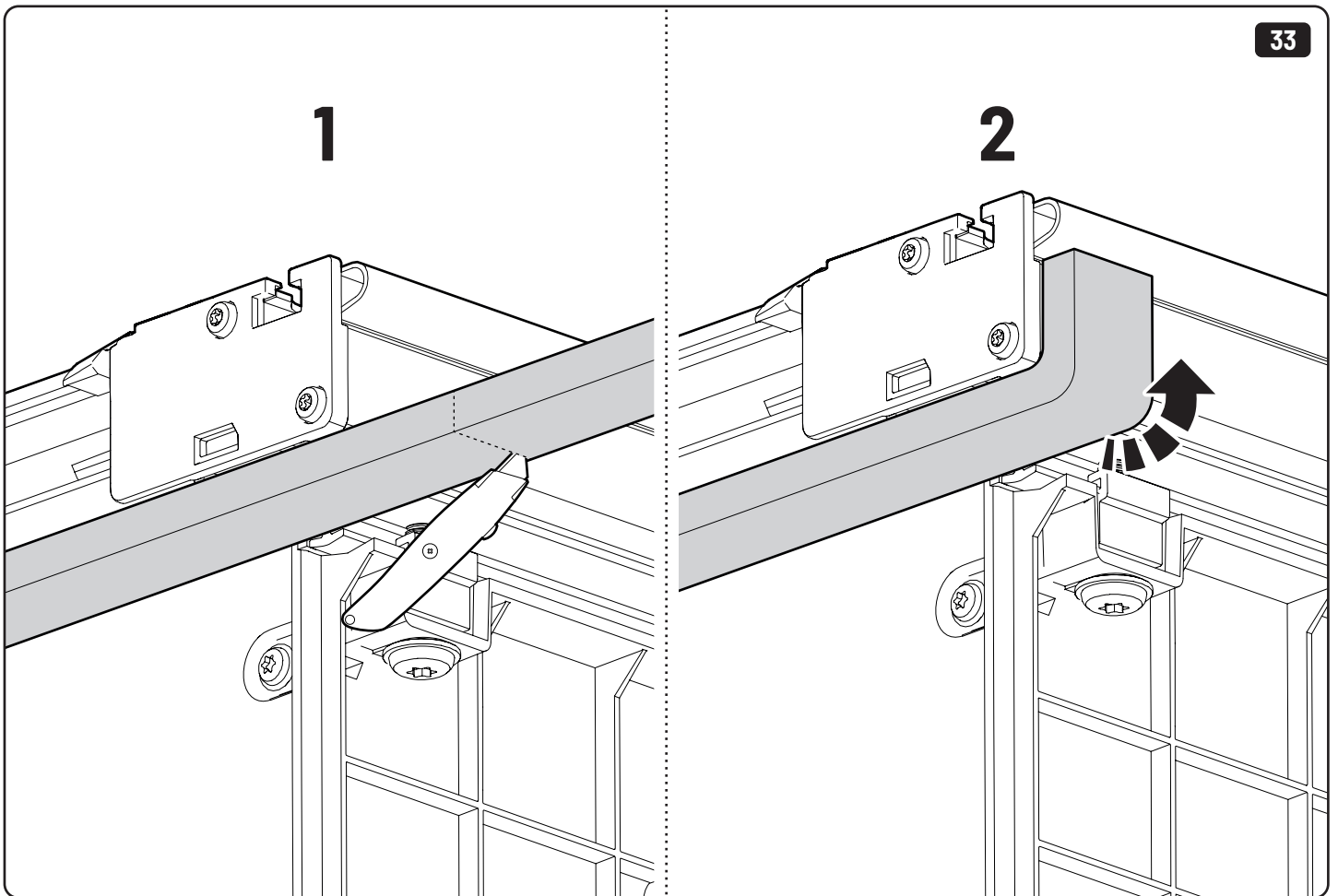
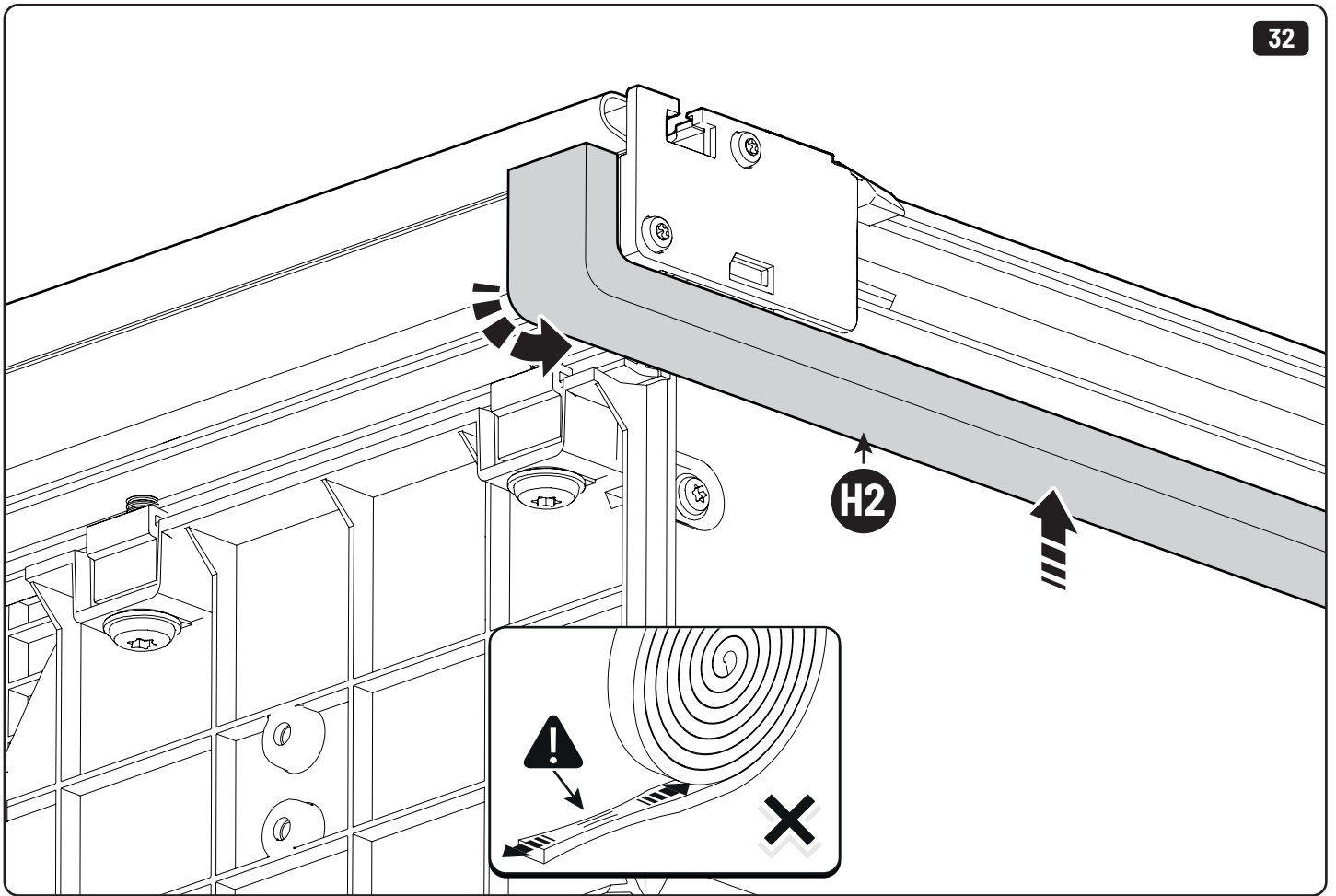


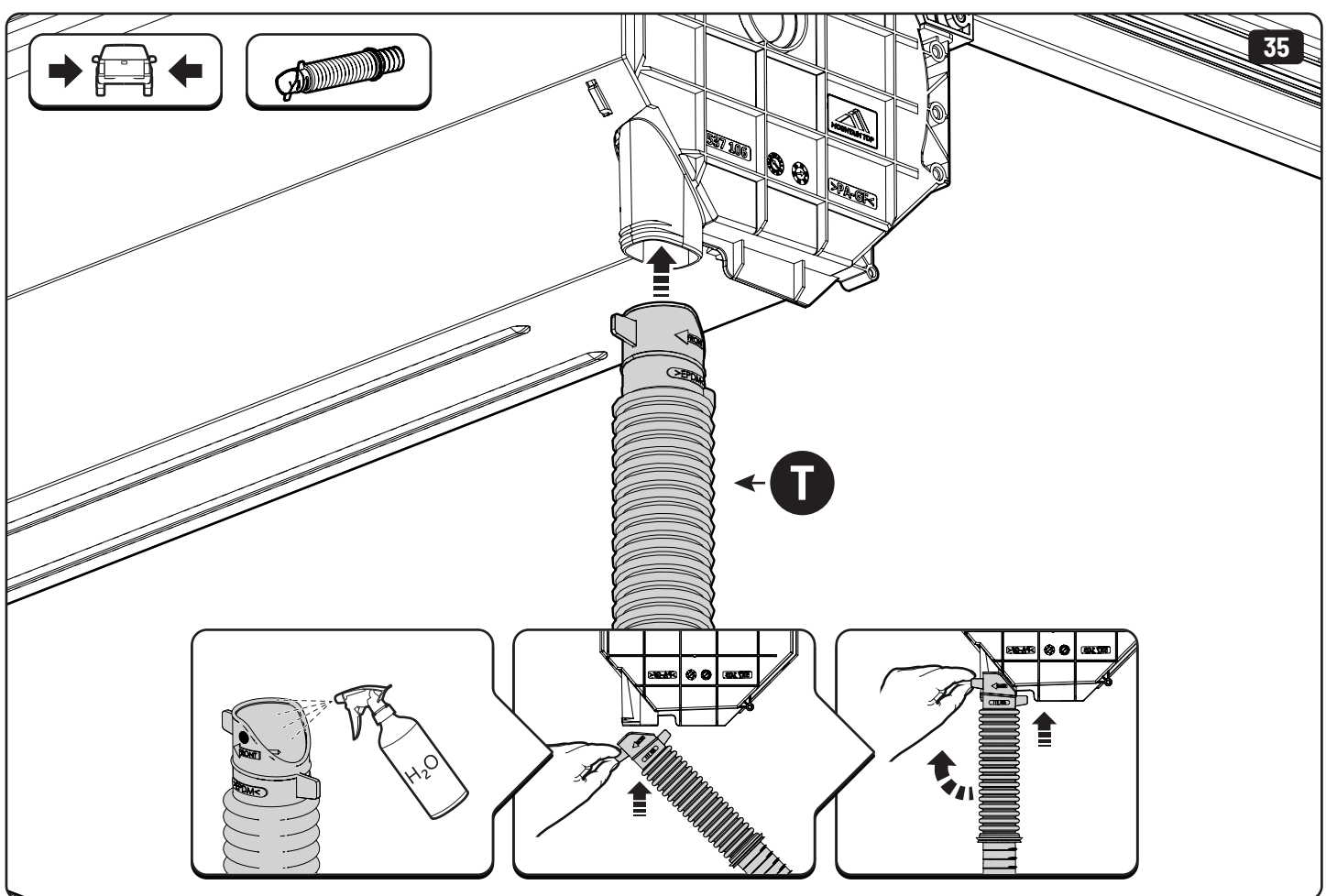
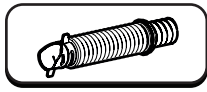
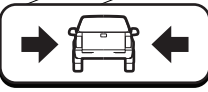
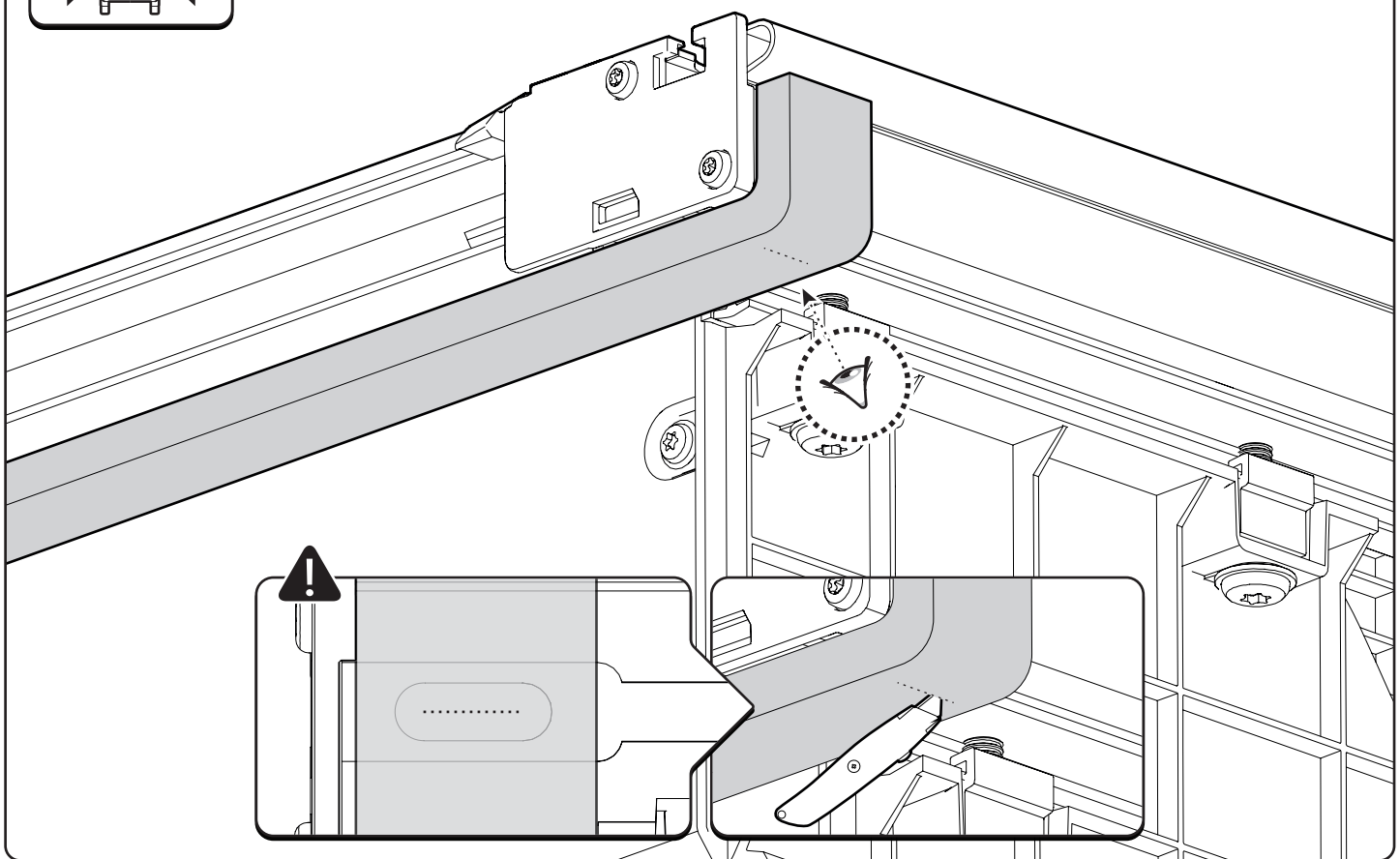
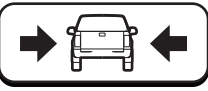


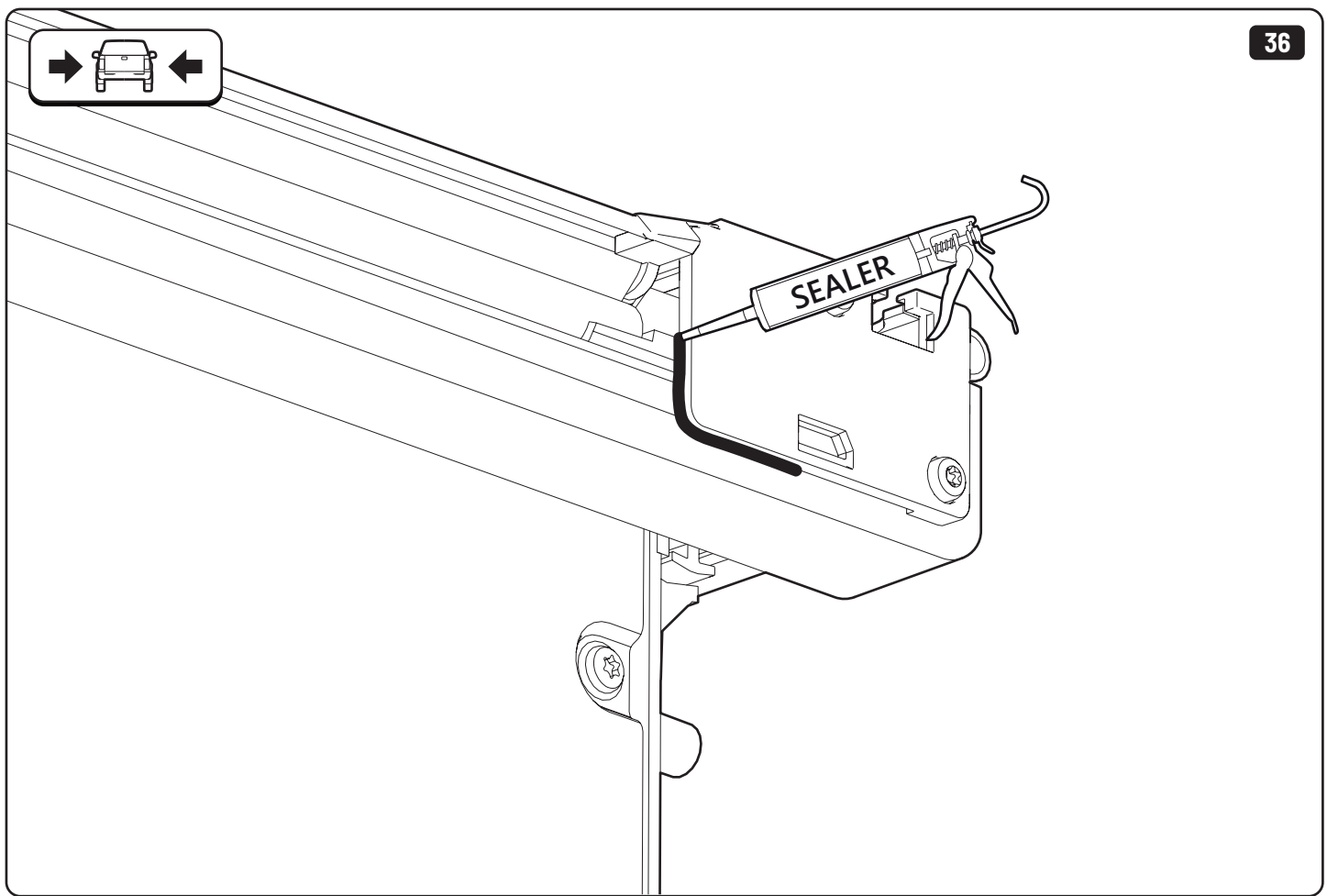


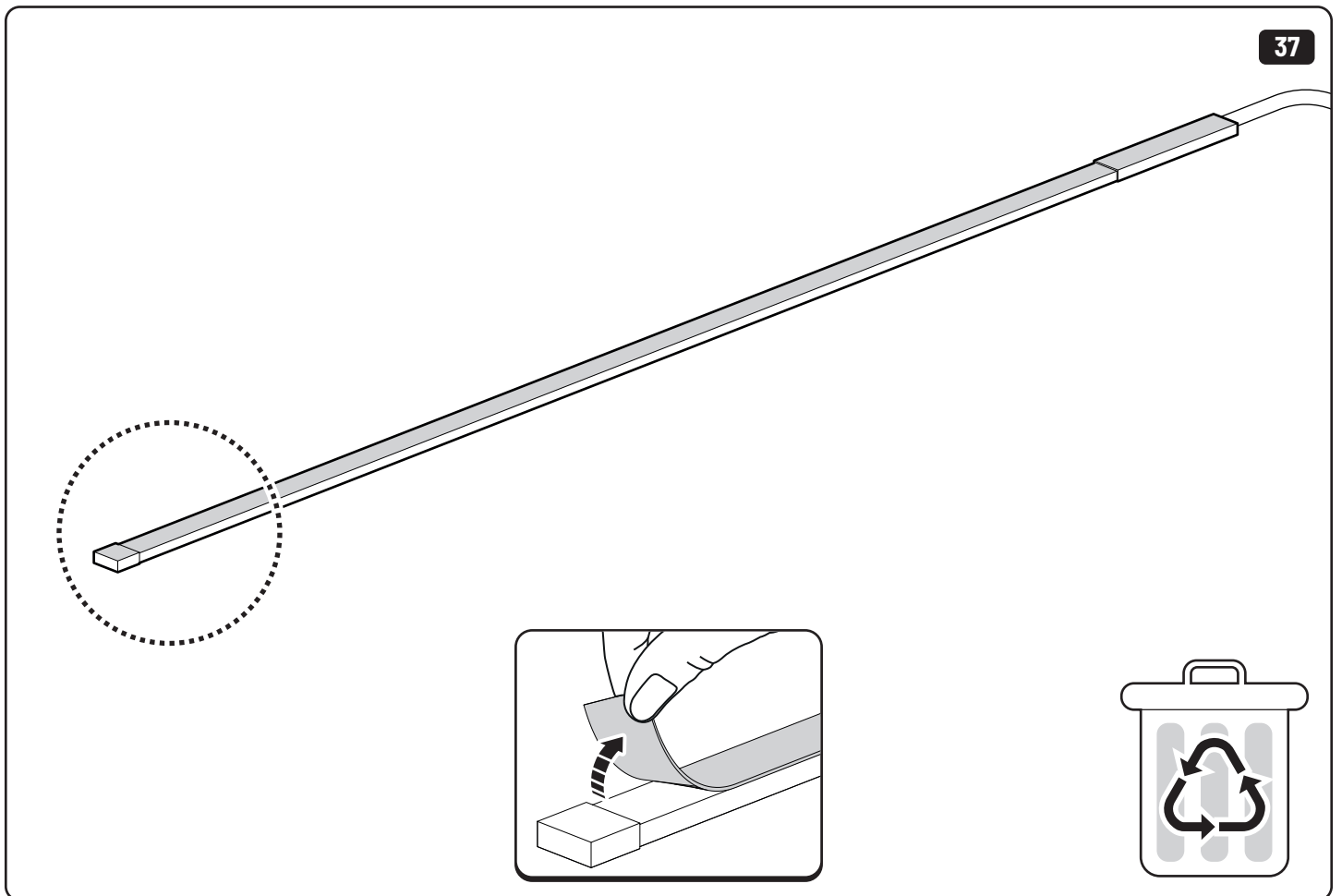
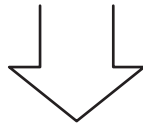
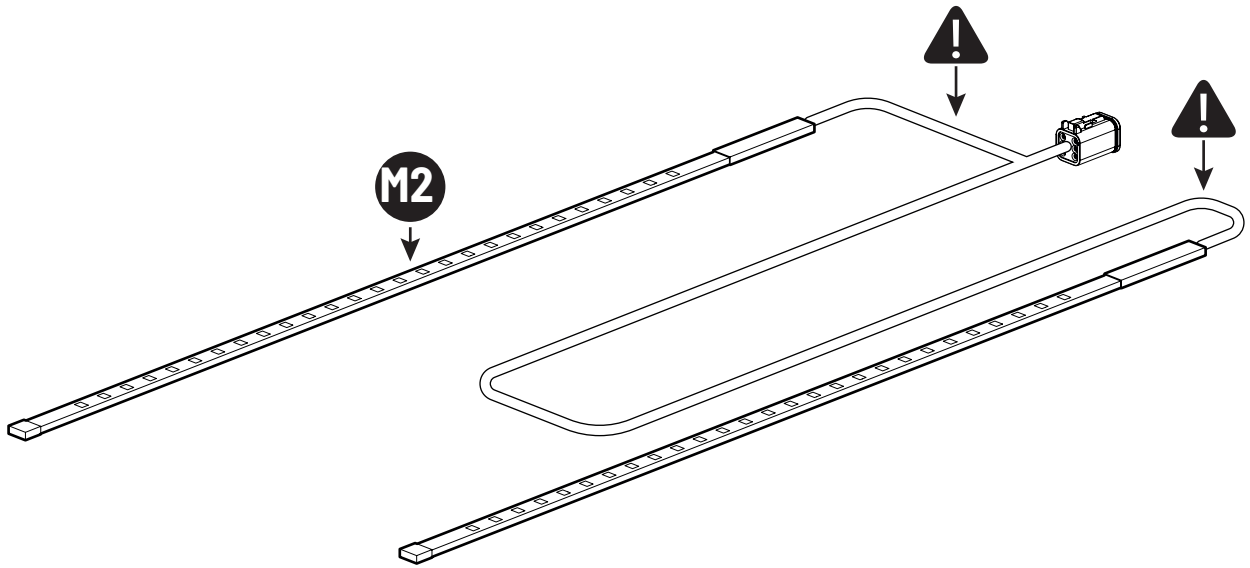
→  ←  T20 2,4Nm

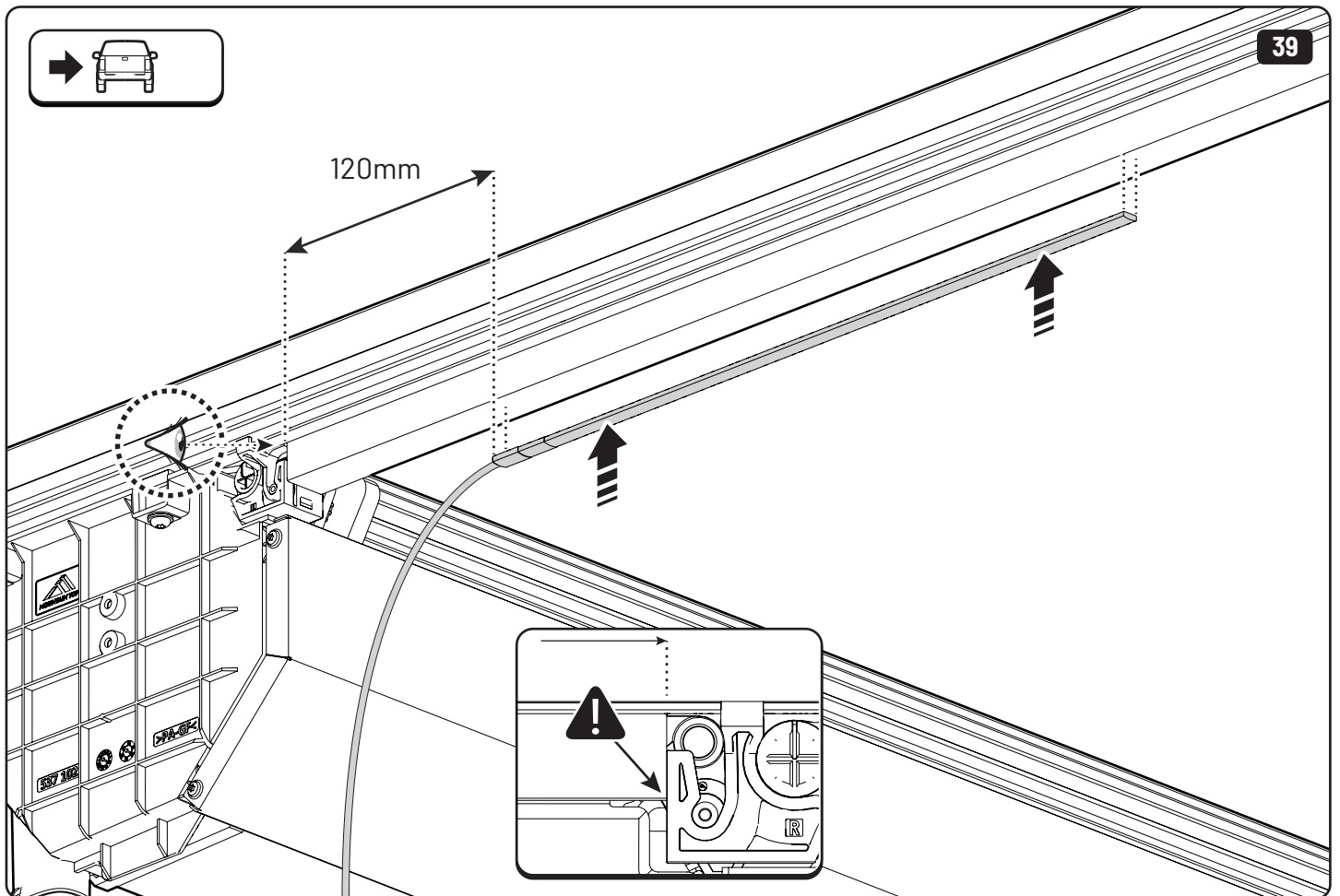
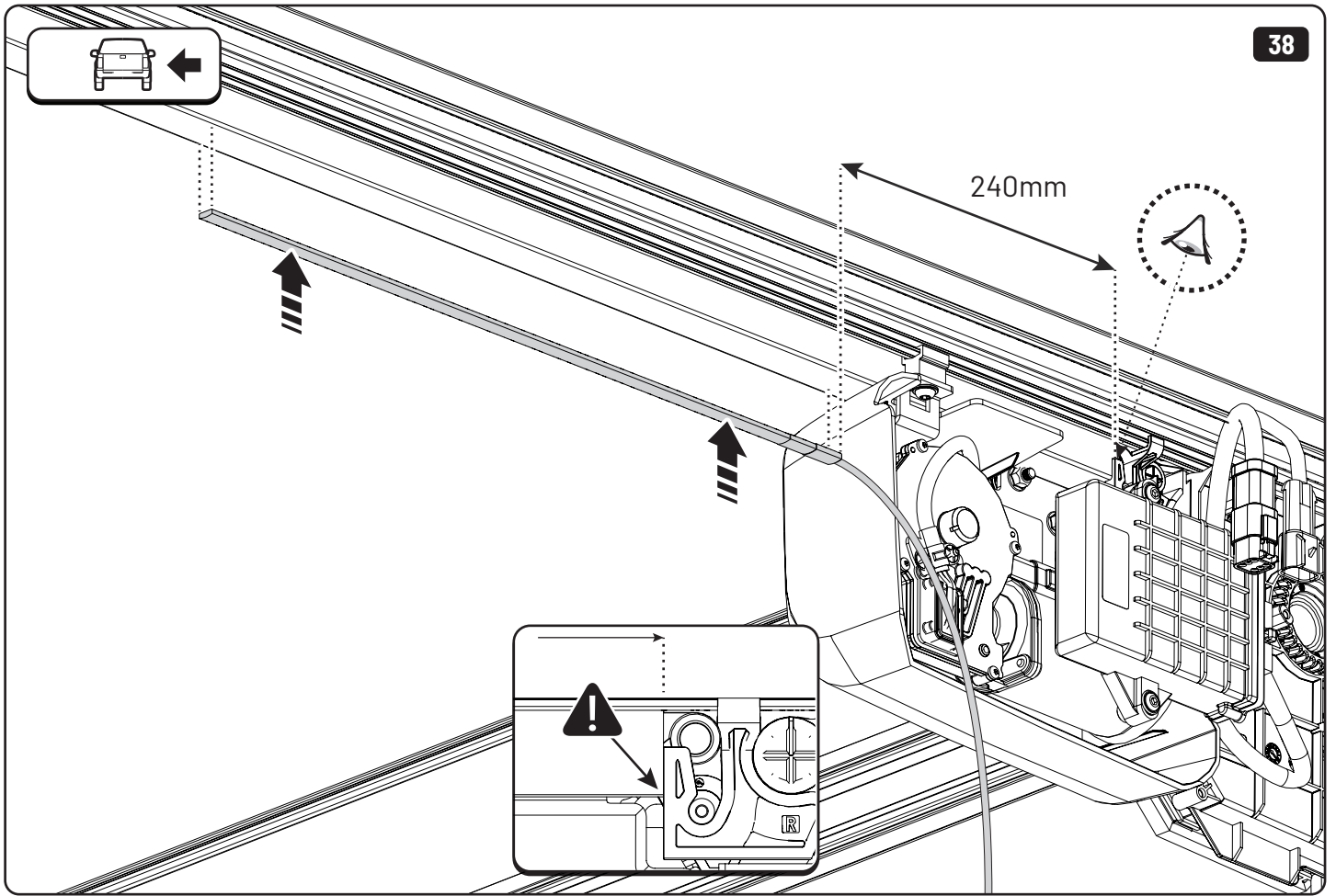


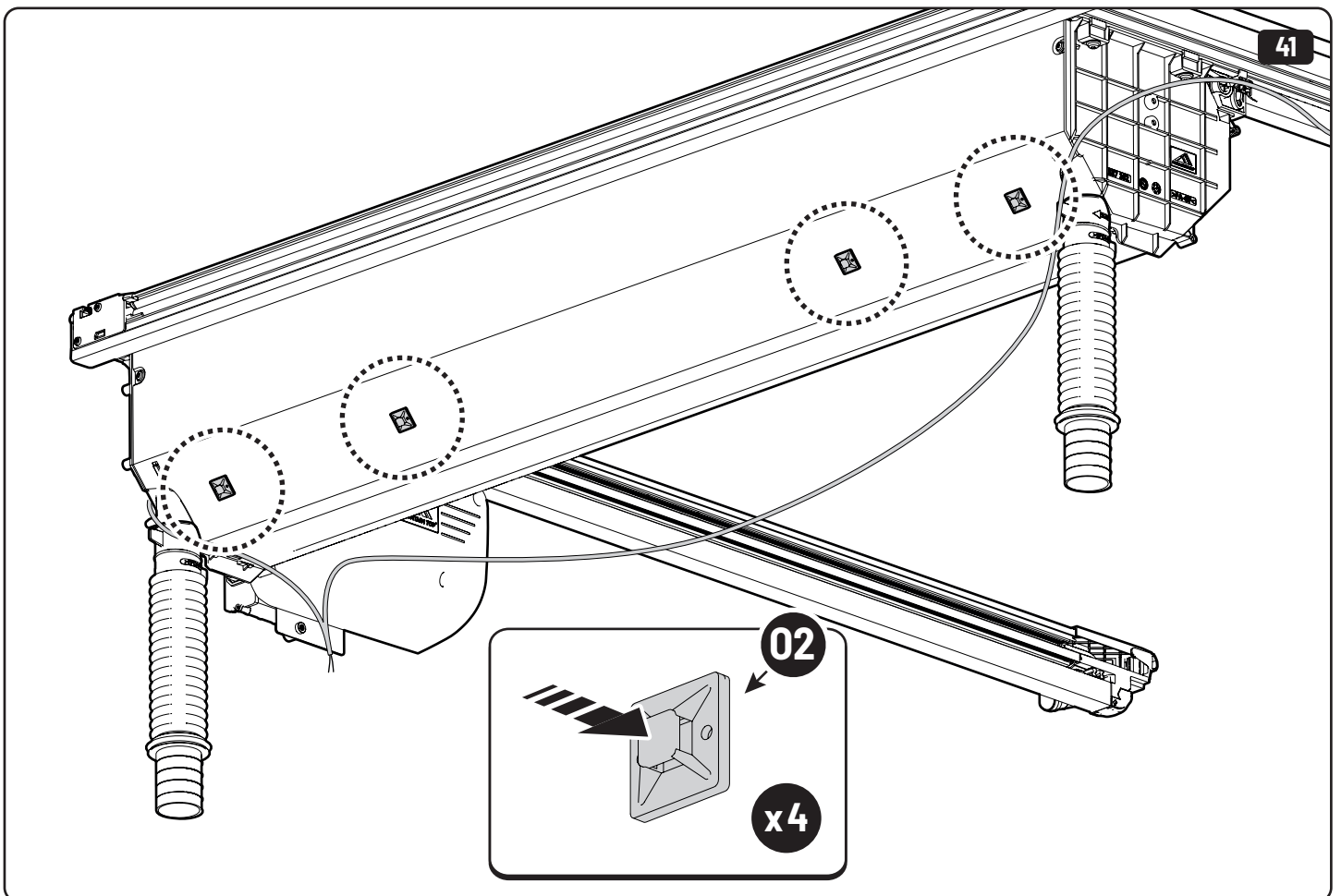
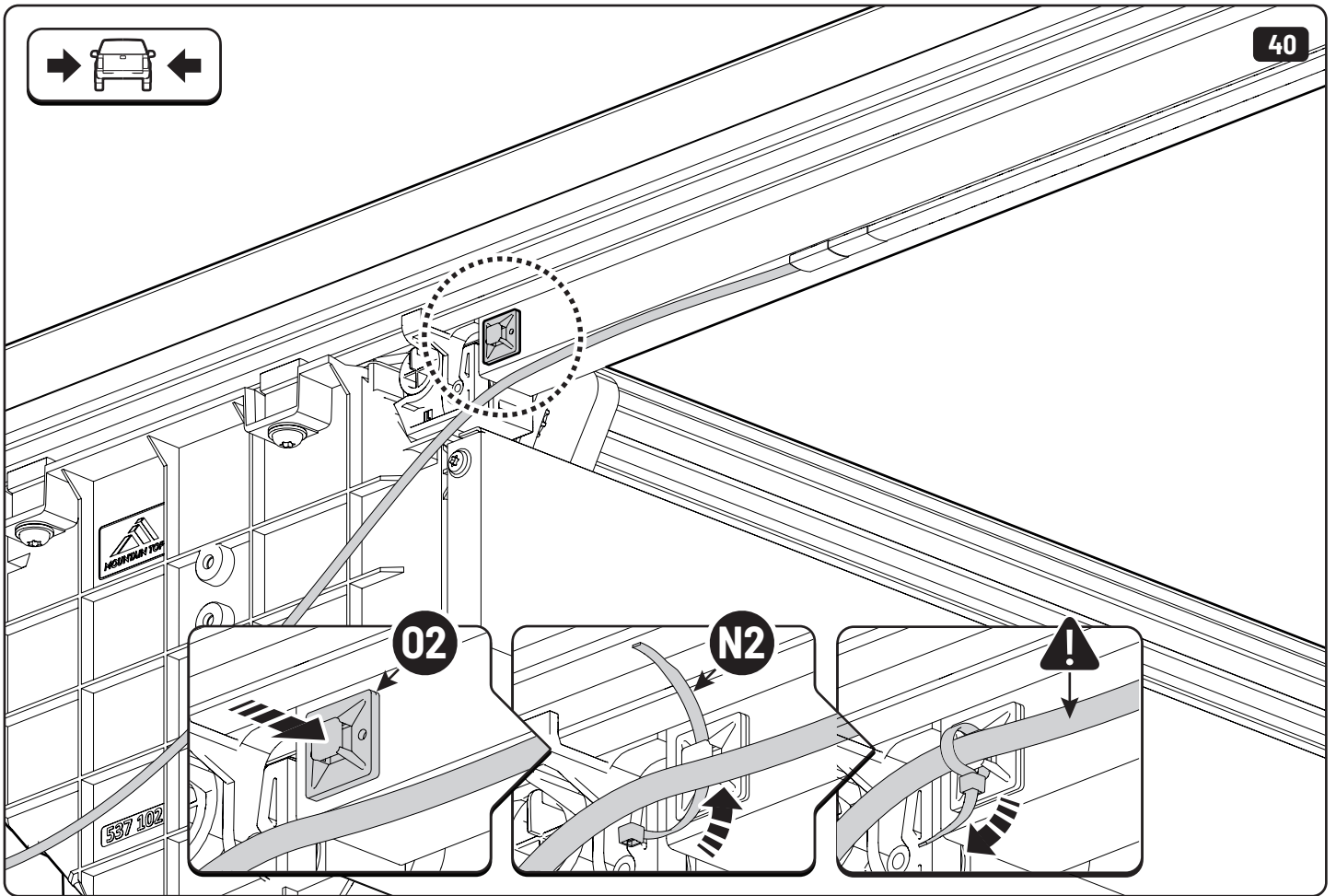


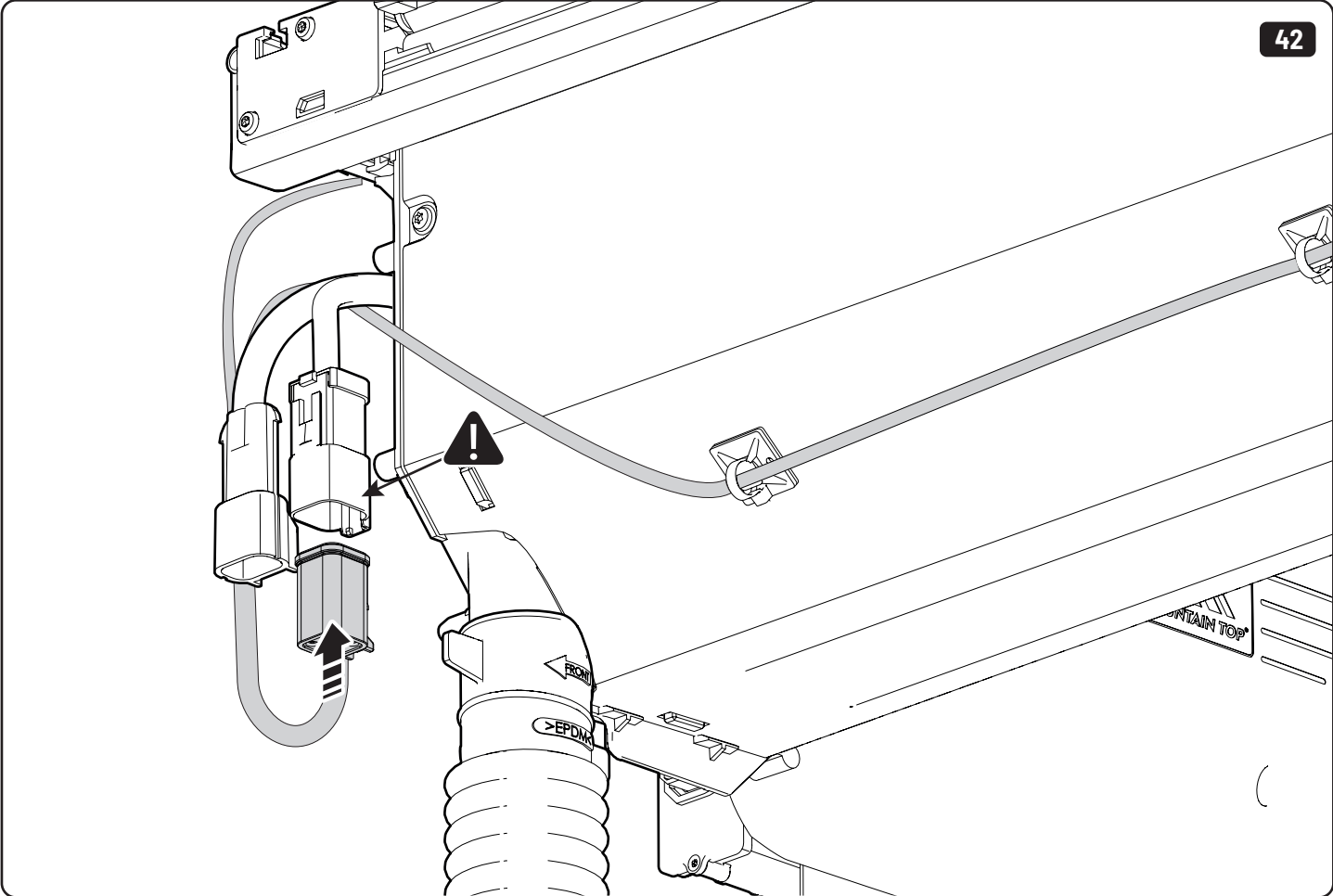


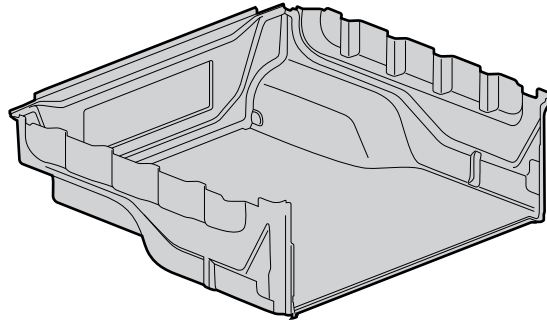
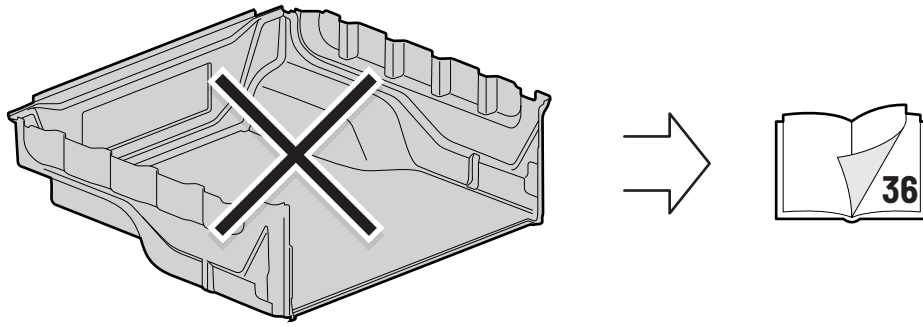




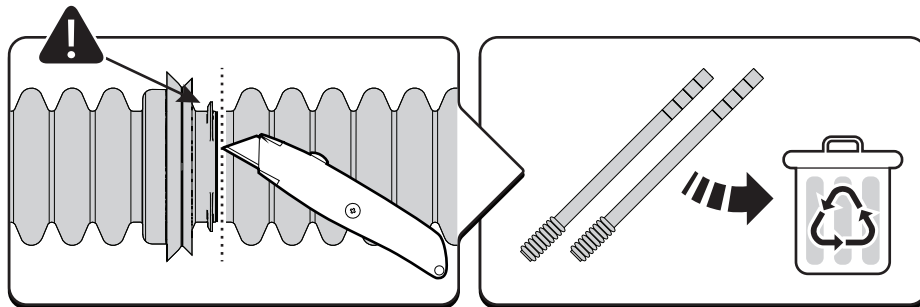
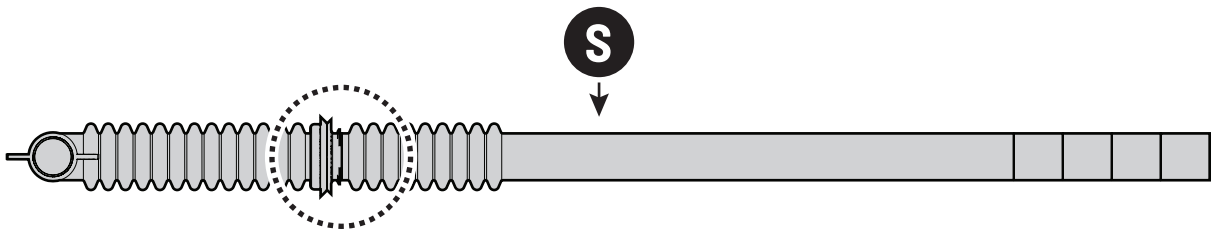


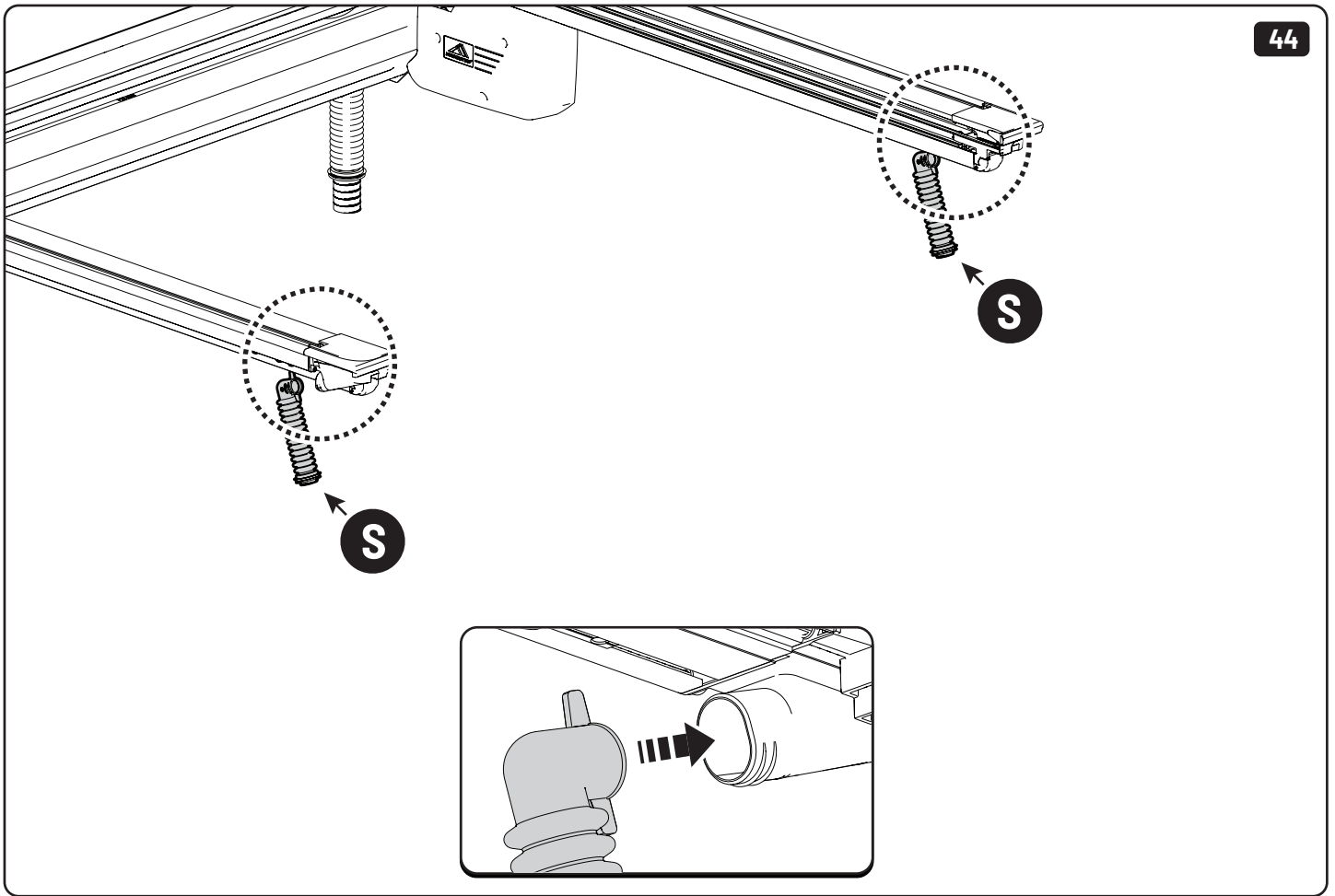




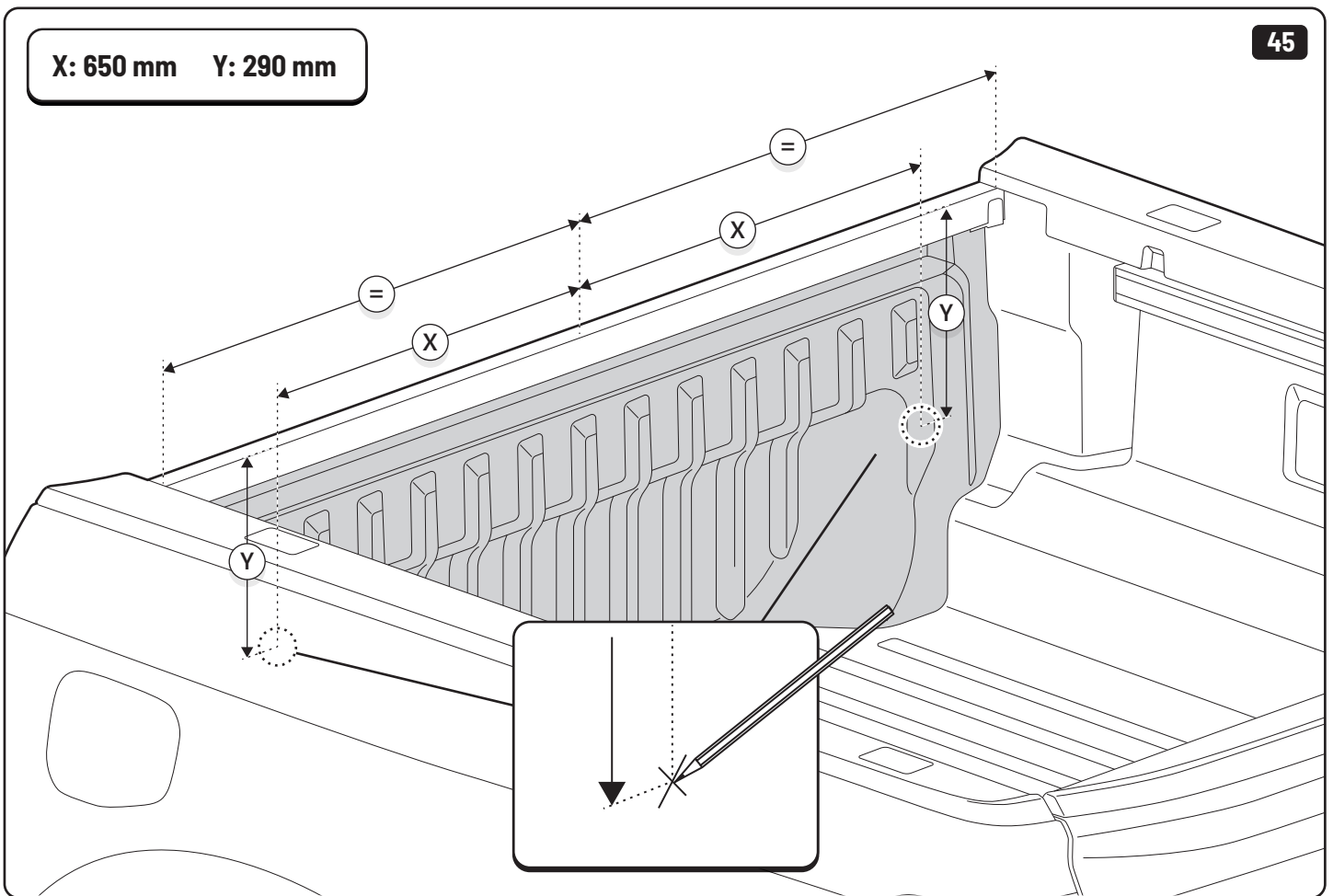


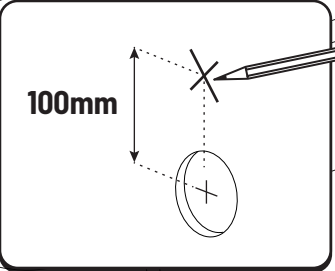
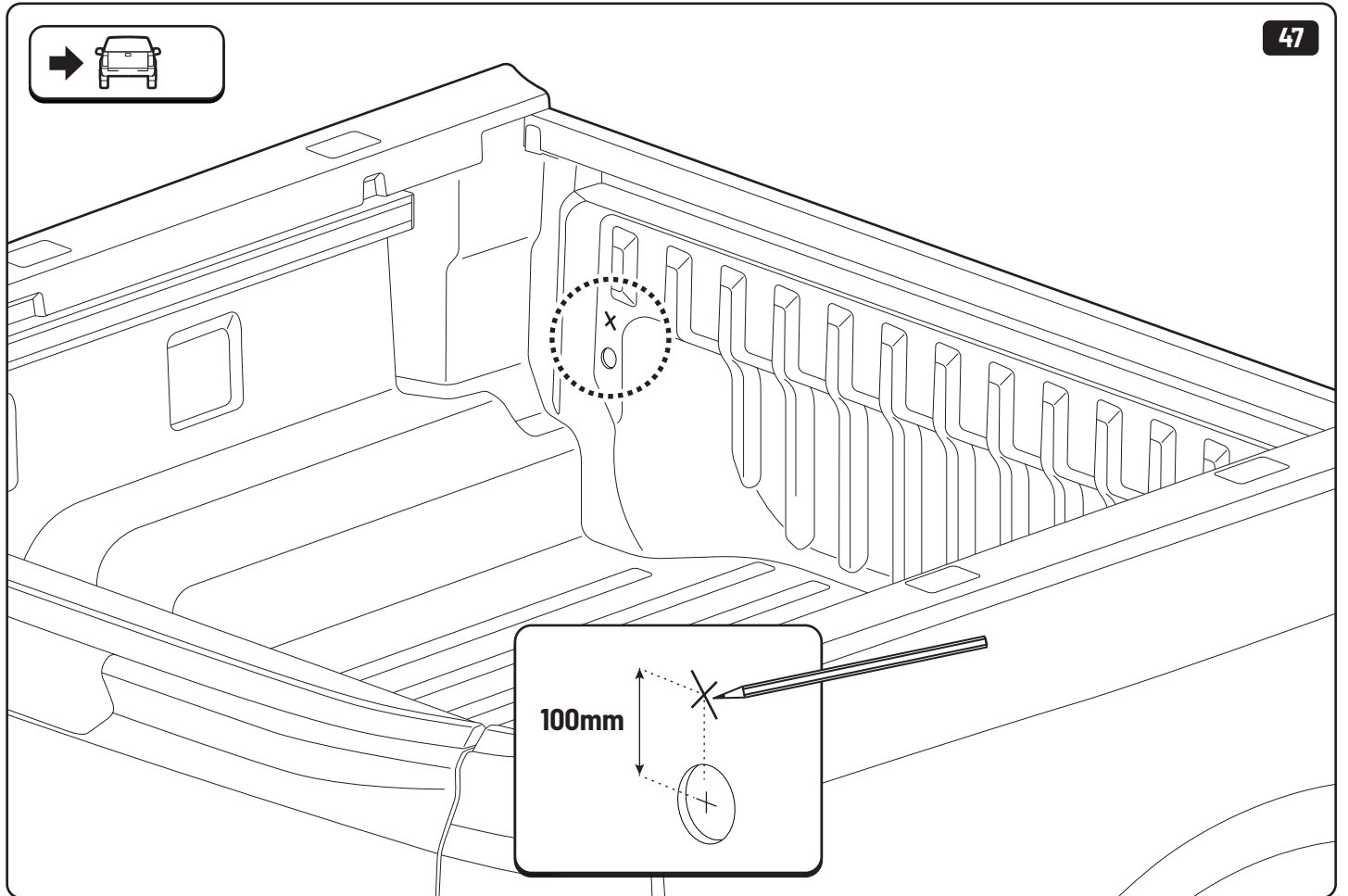
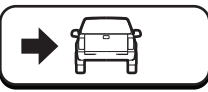
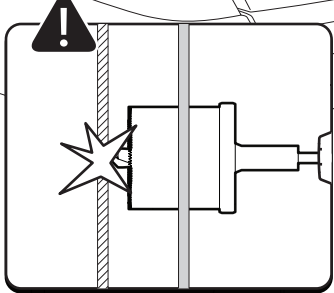
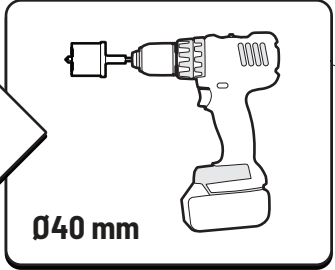
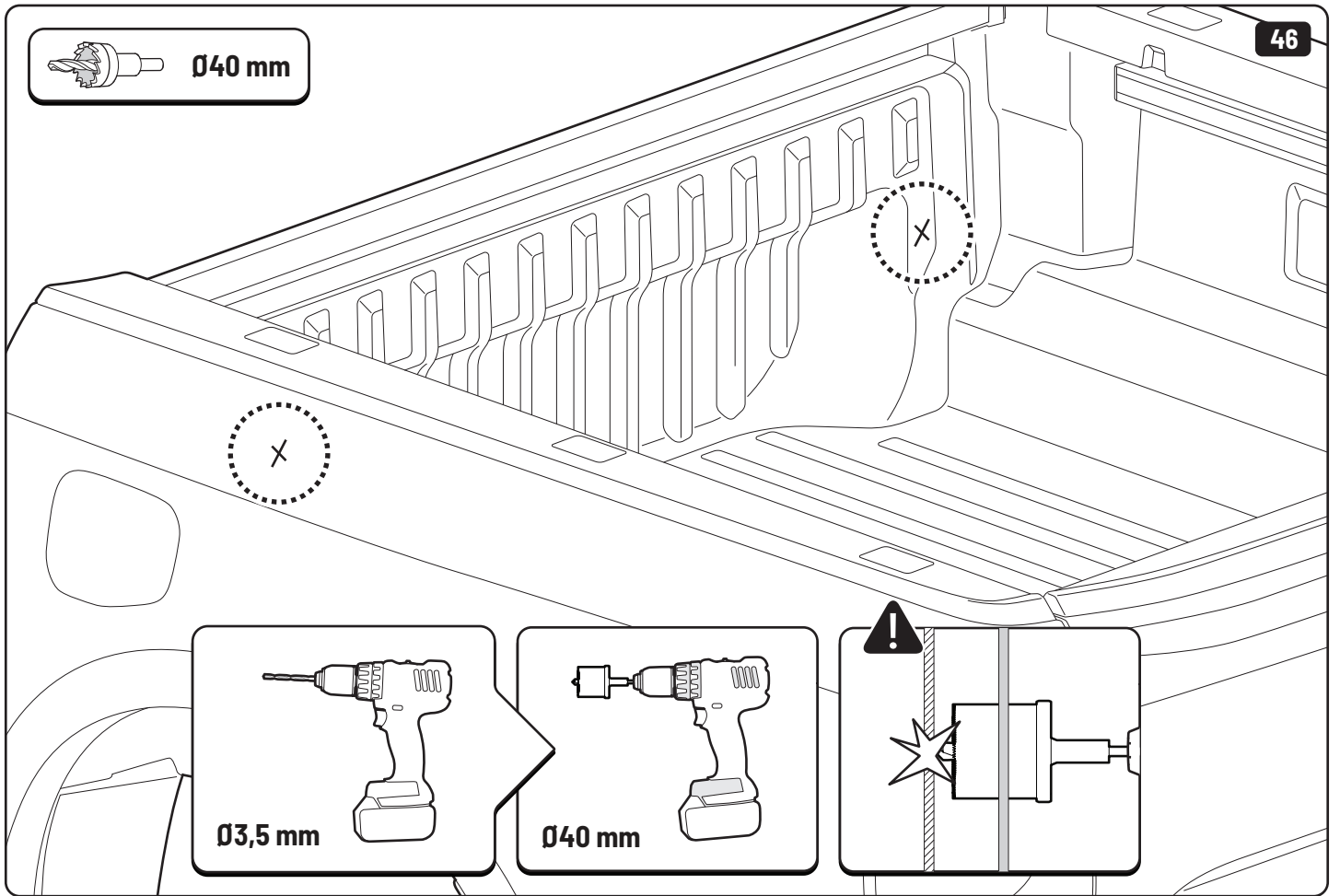
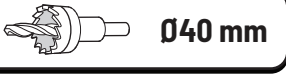
43

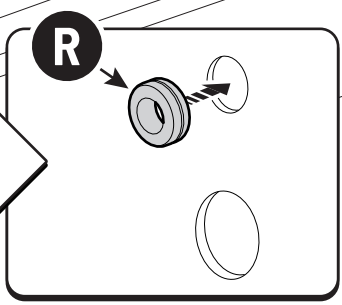
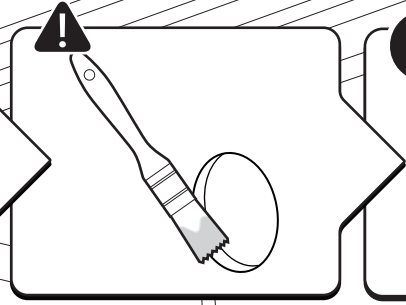
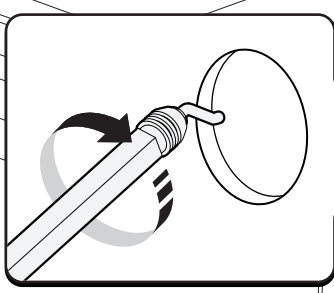
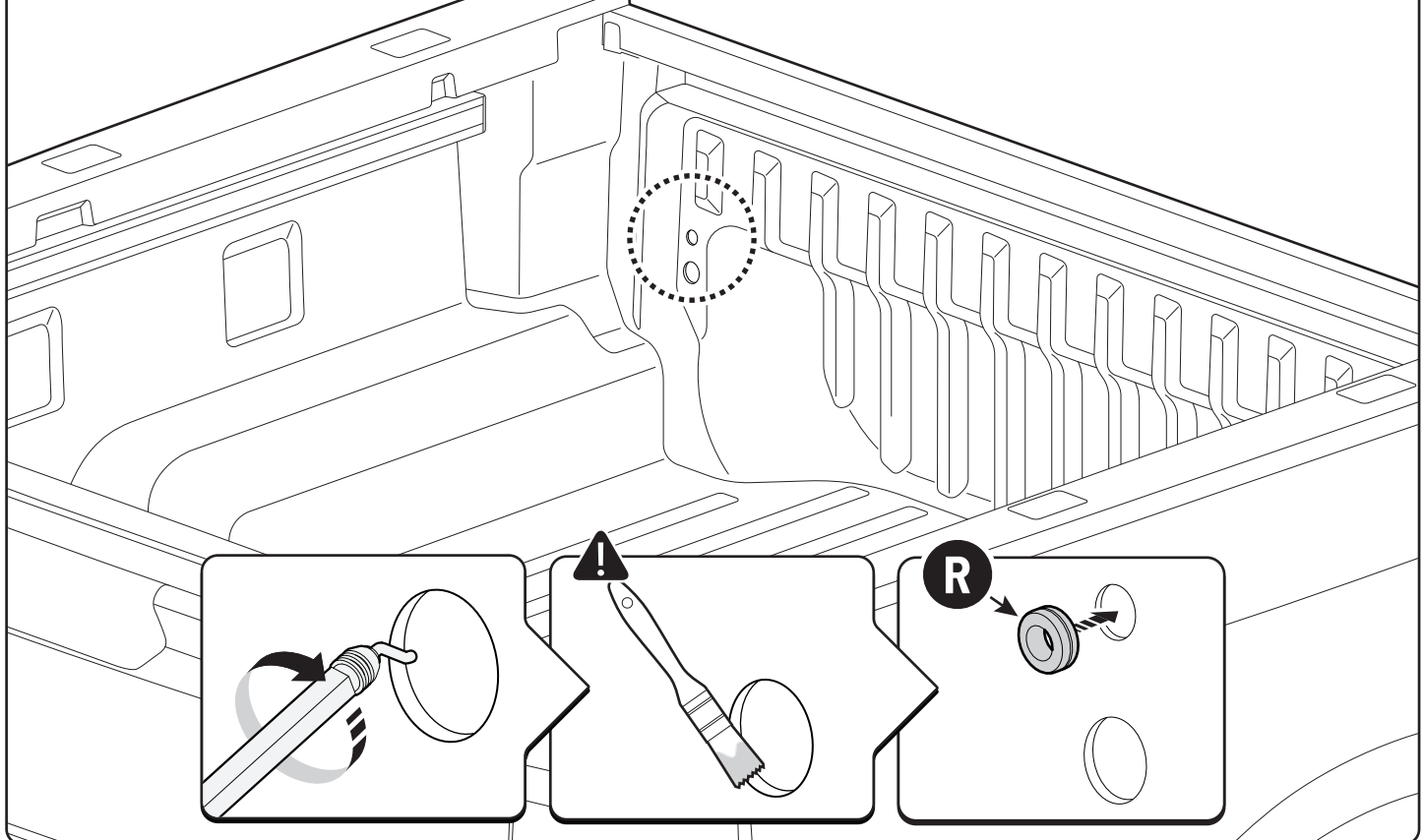
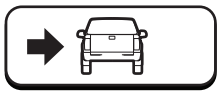
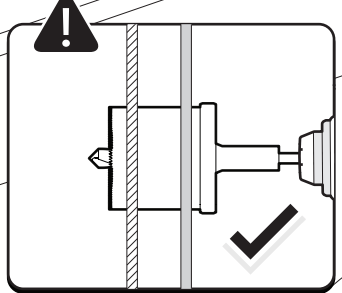
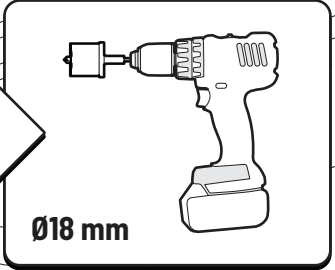
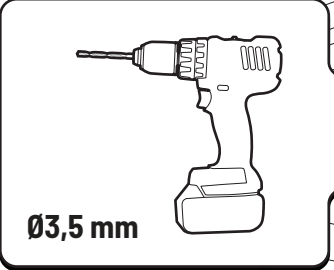
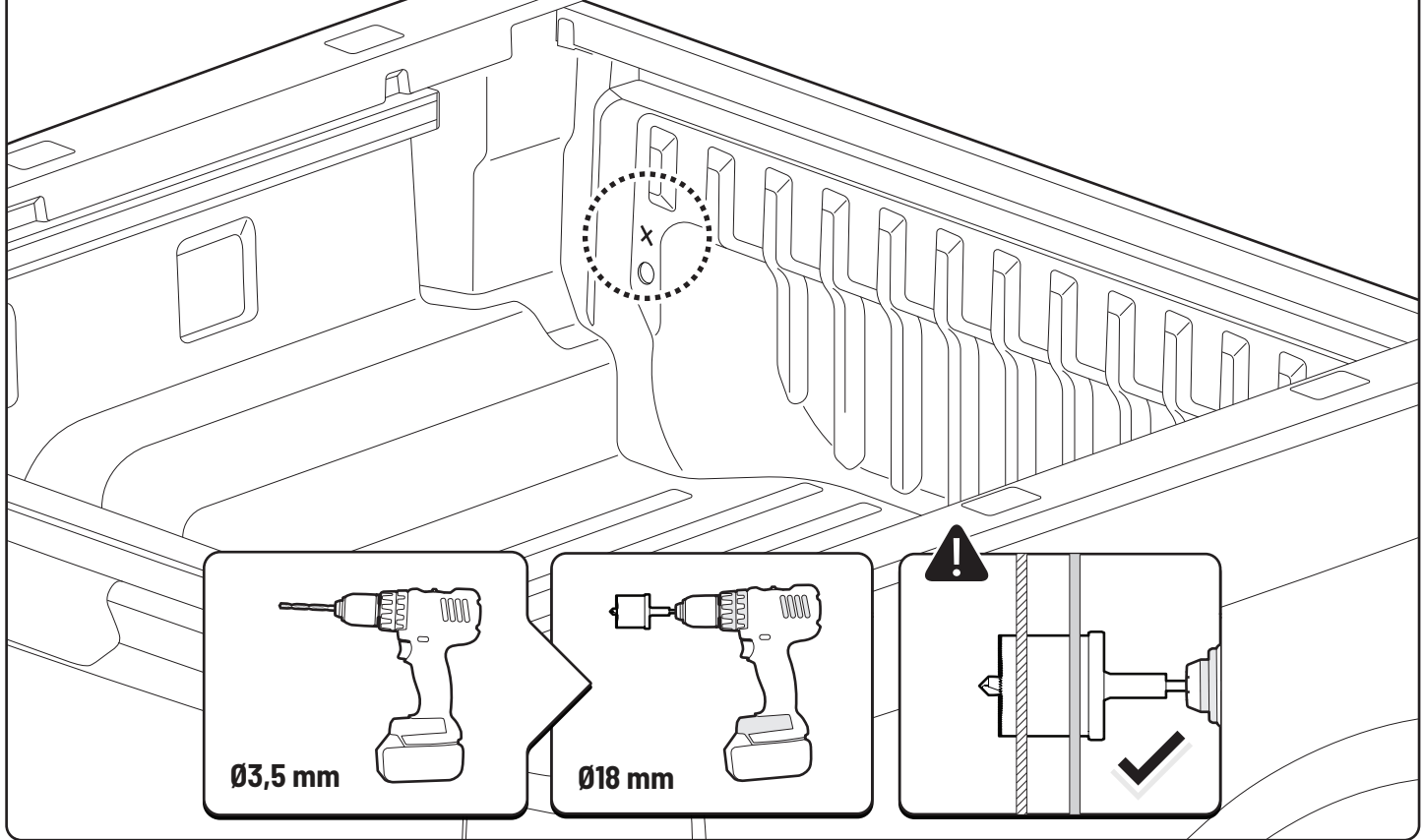
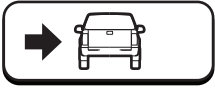
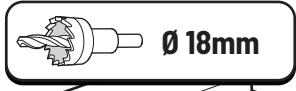




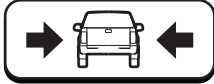
X: 650 mm Y: 290 mm



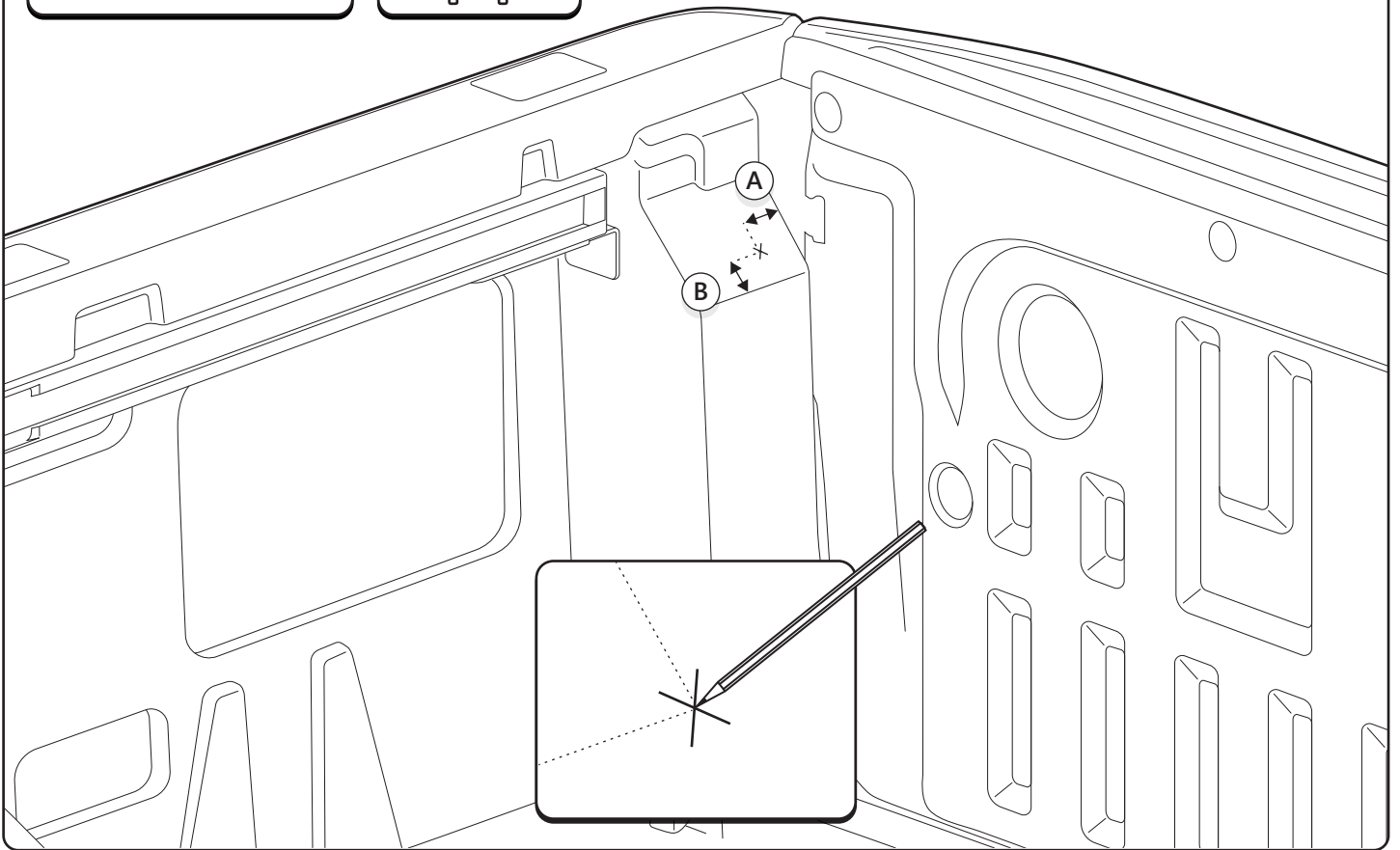




A: 30 mm B: 20 mm



50

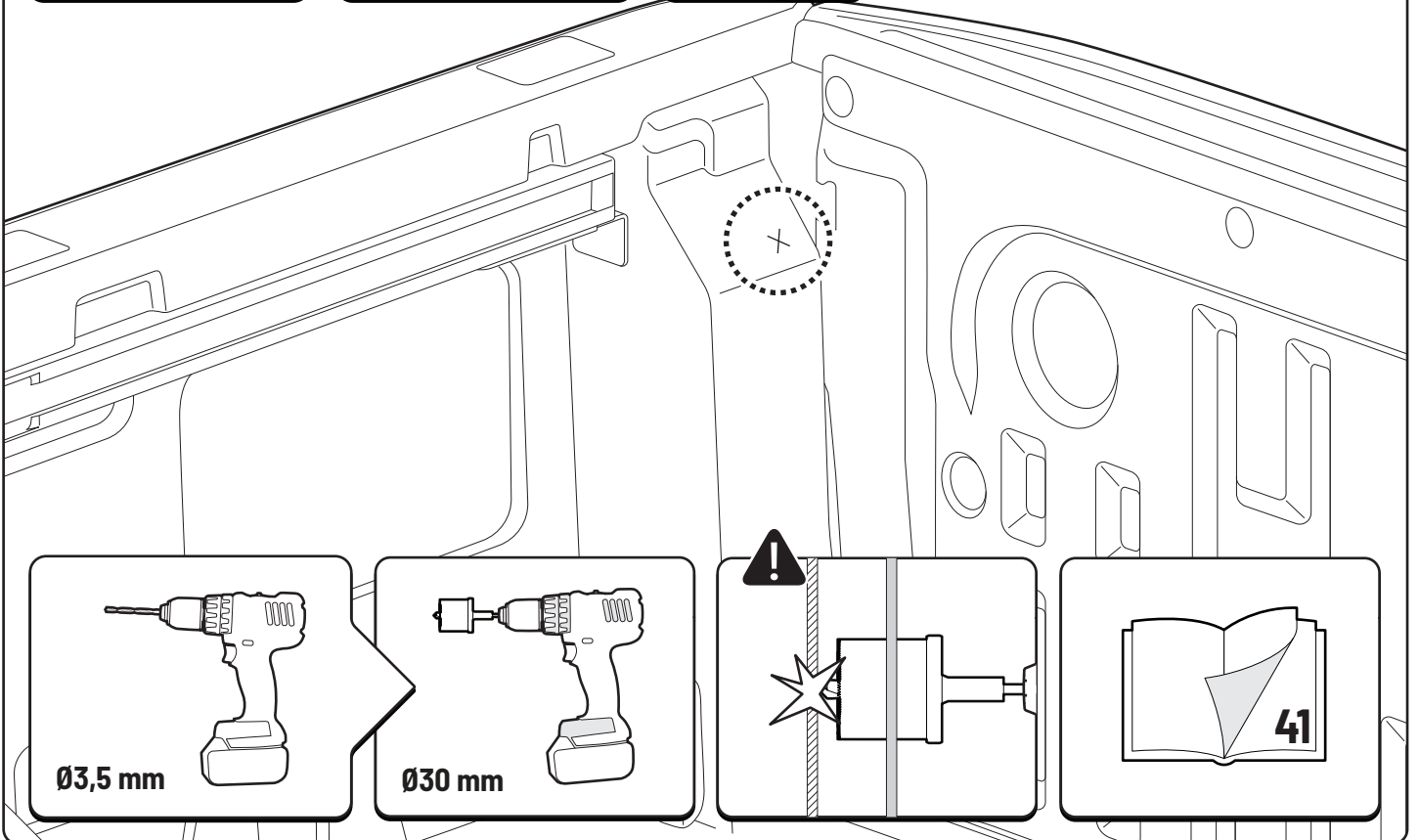


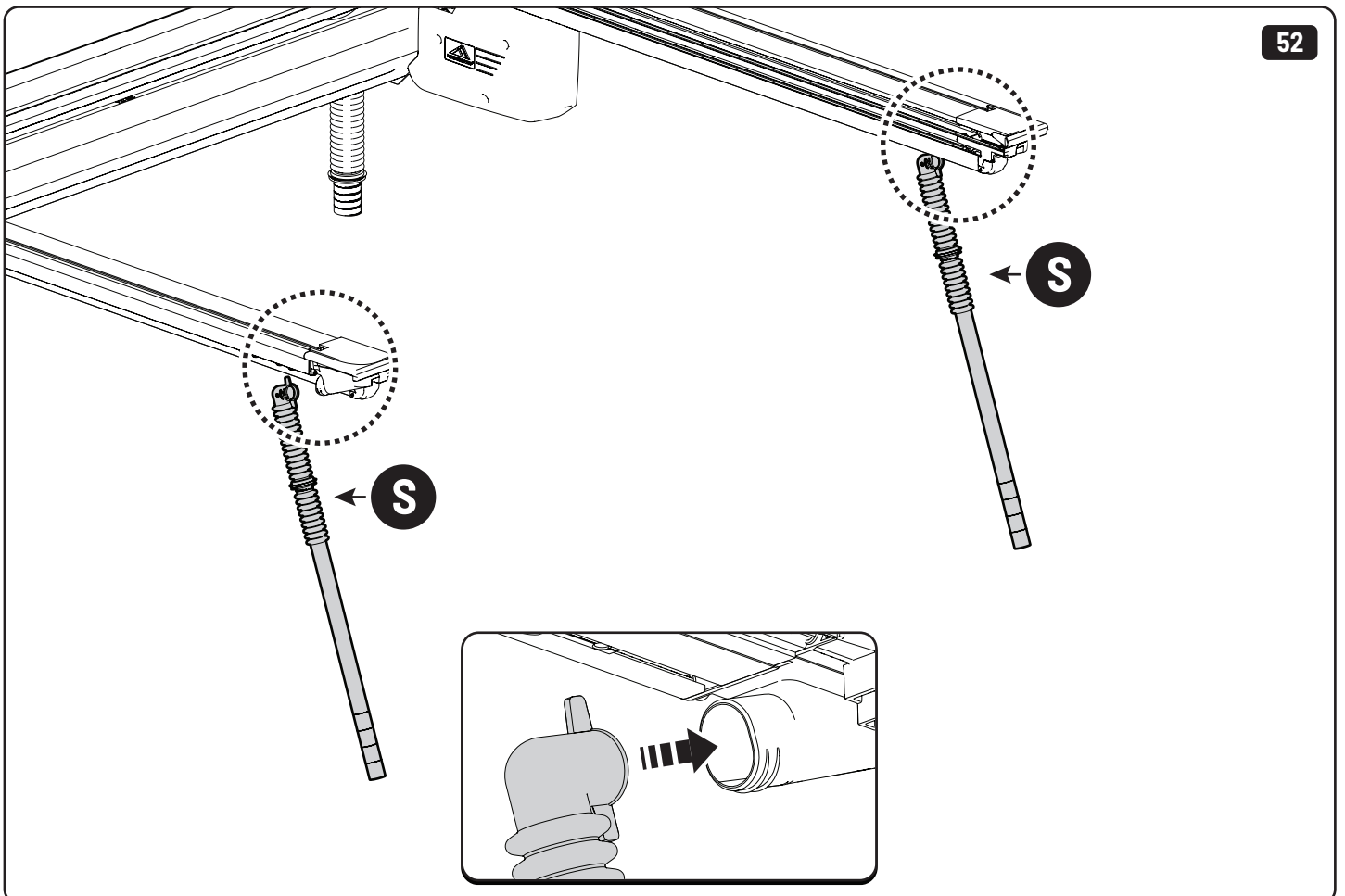
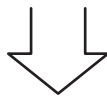
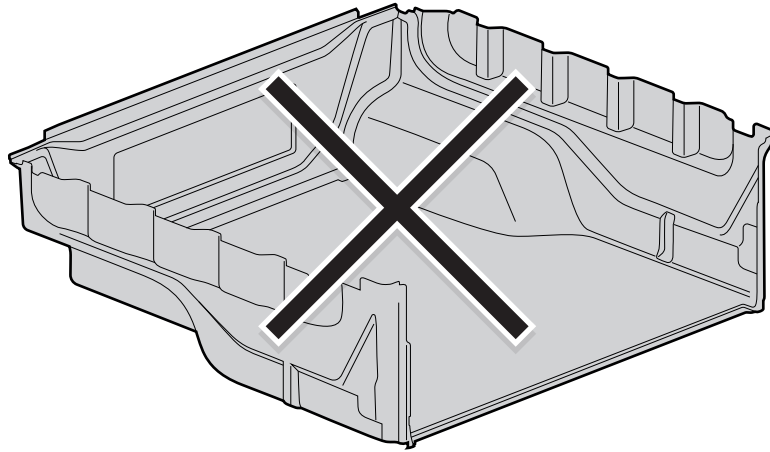
 Ø 3,5mm

 Ø30 mm



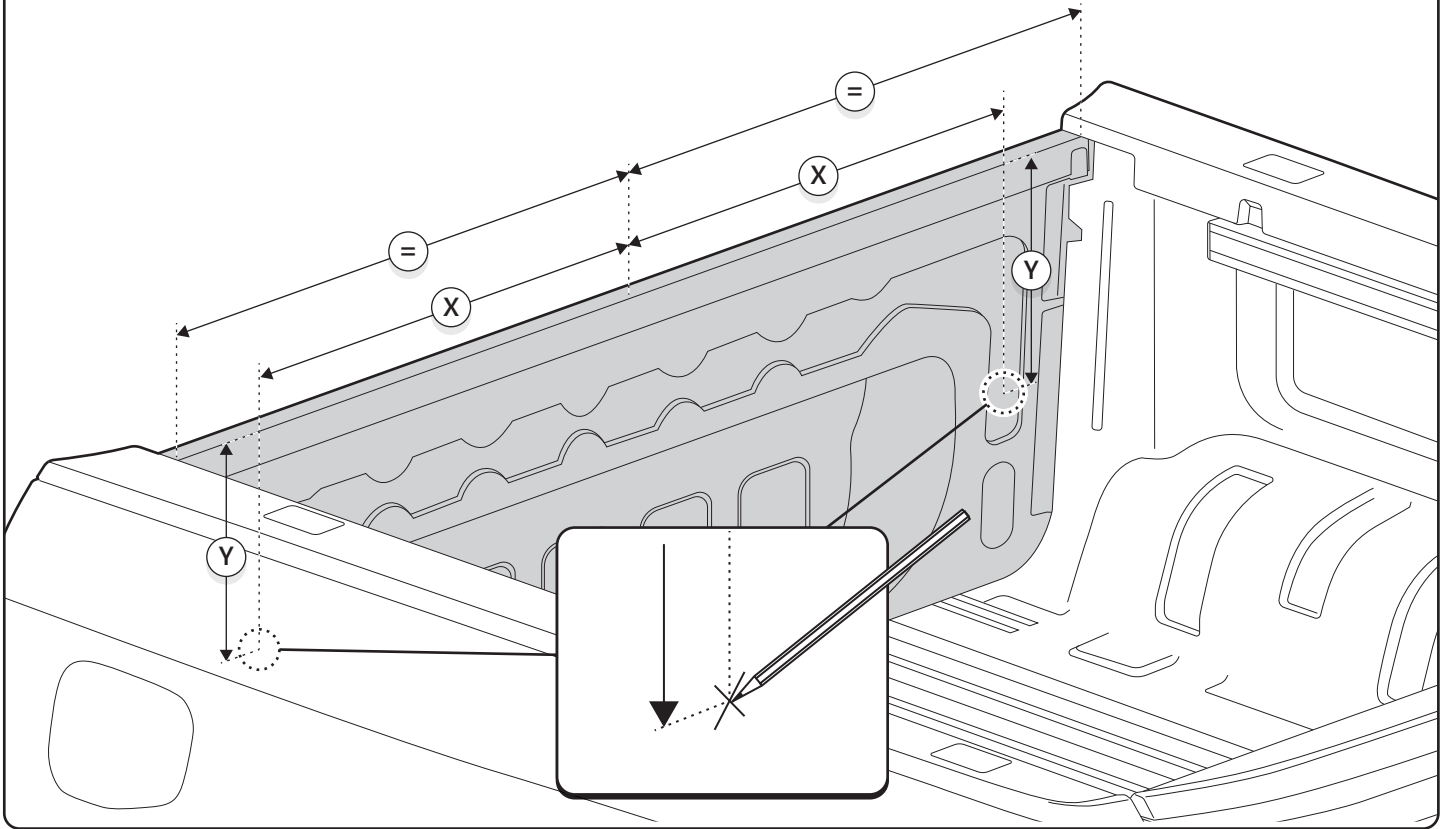
51





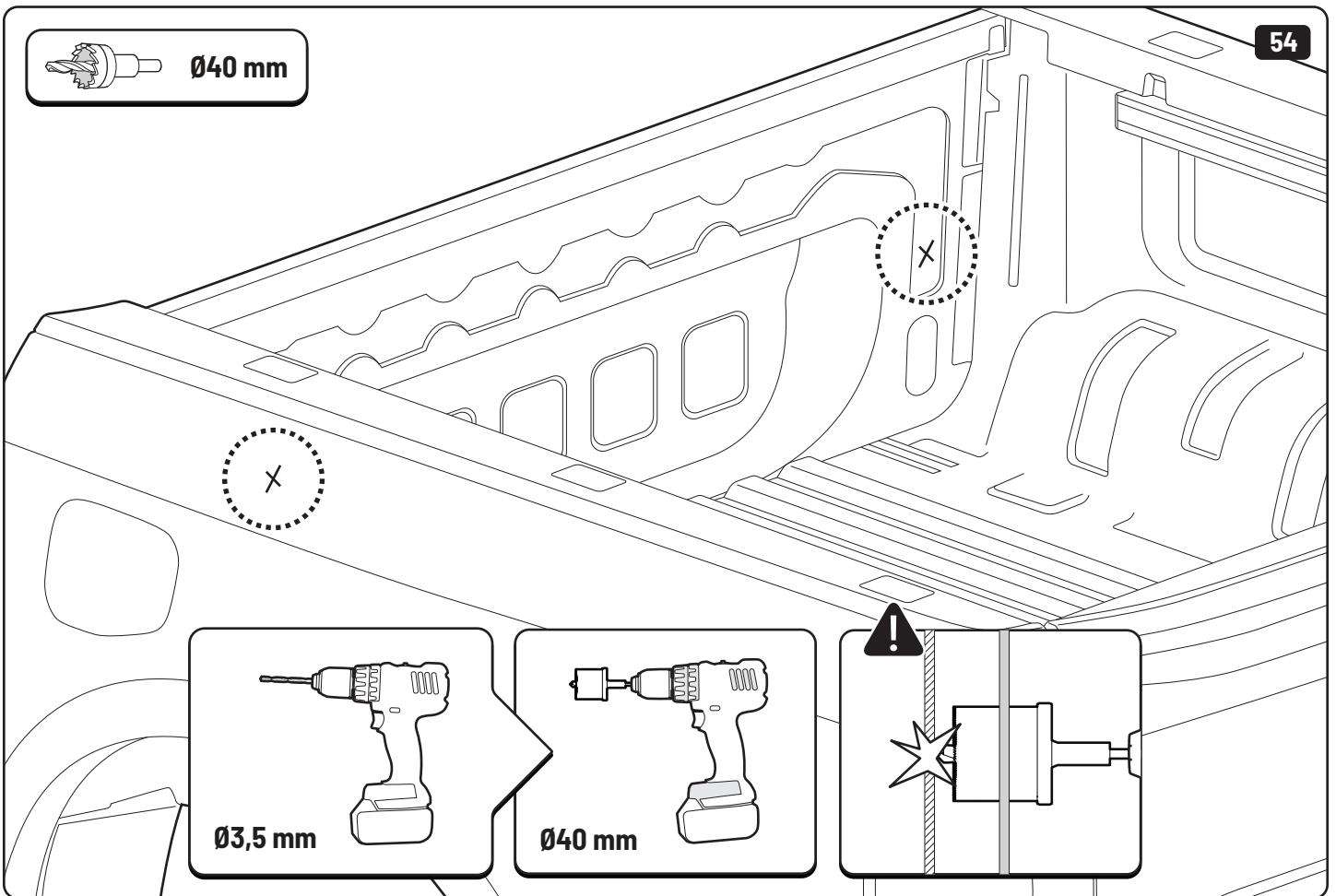
X: 650 mm Y: 290 mm

53

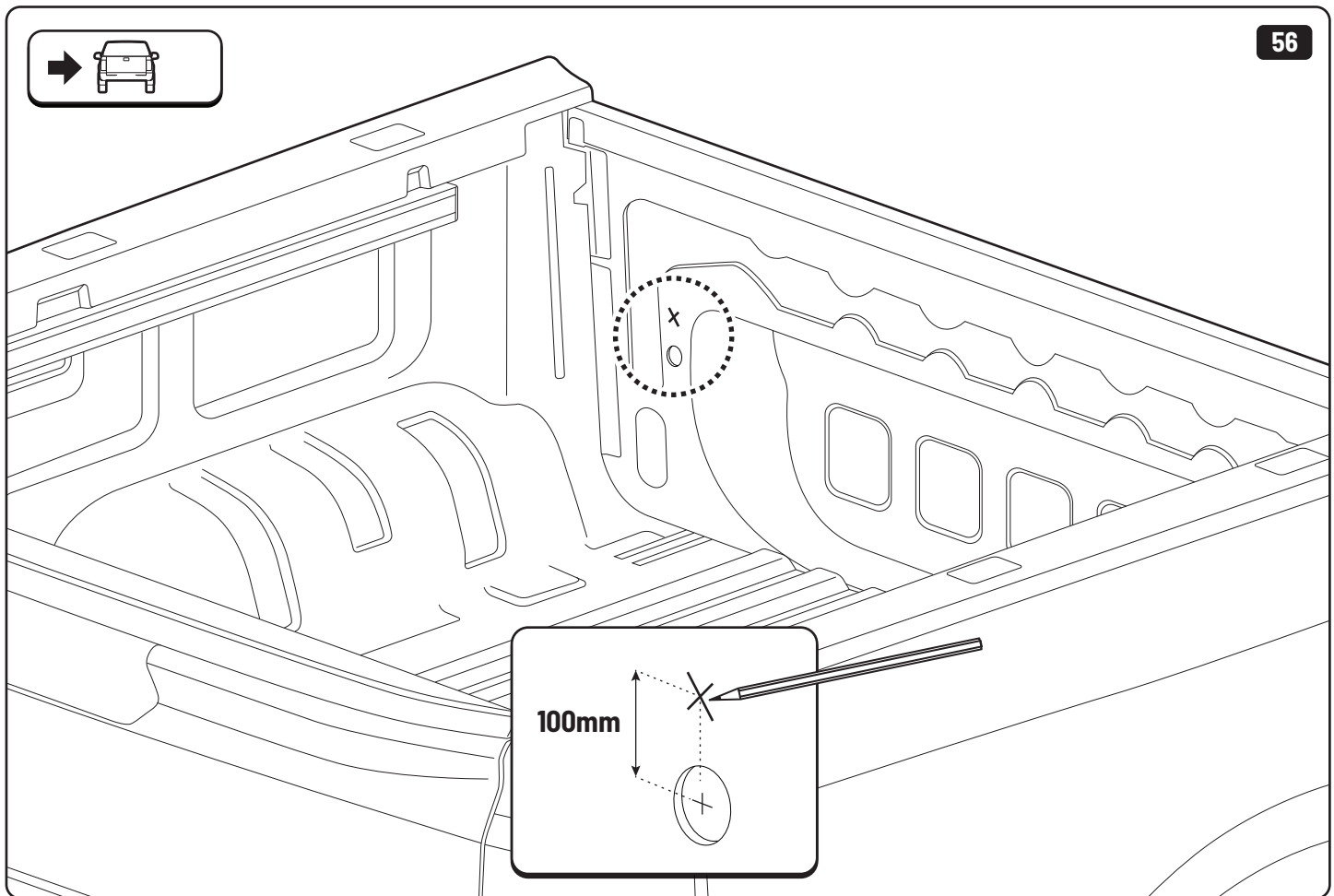
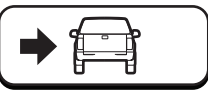
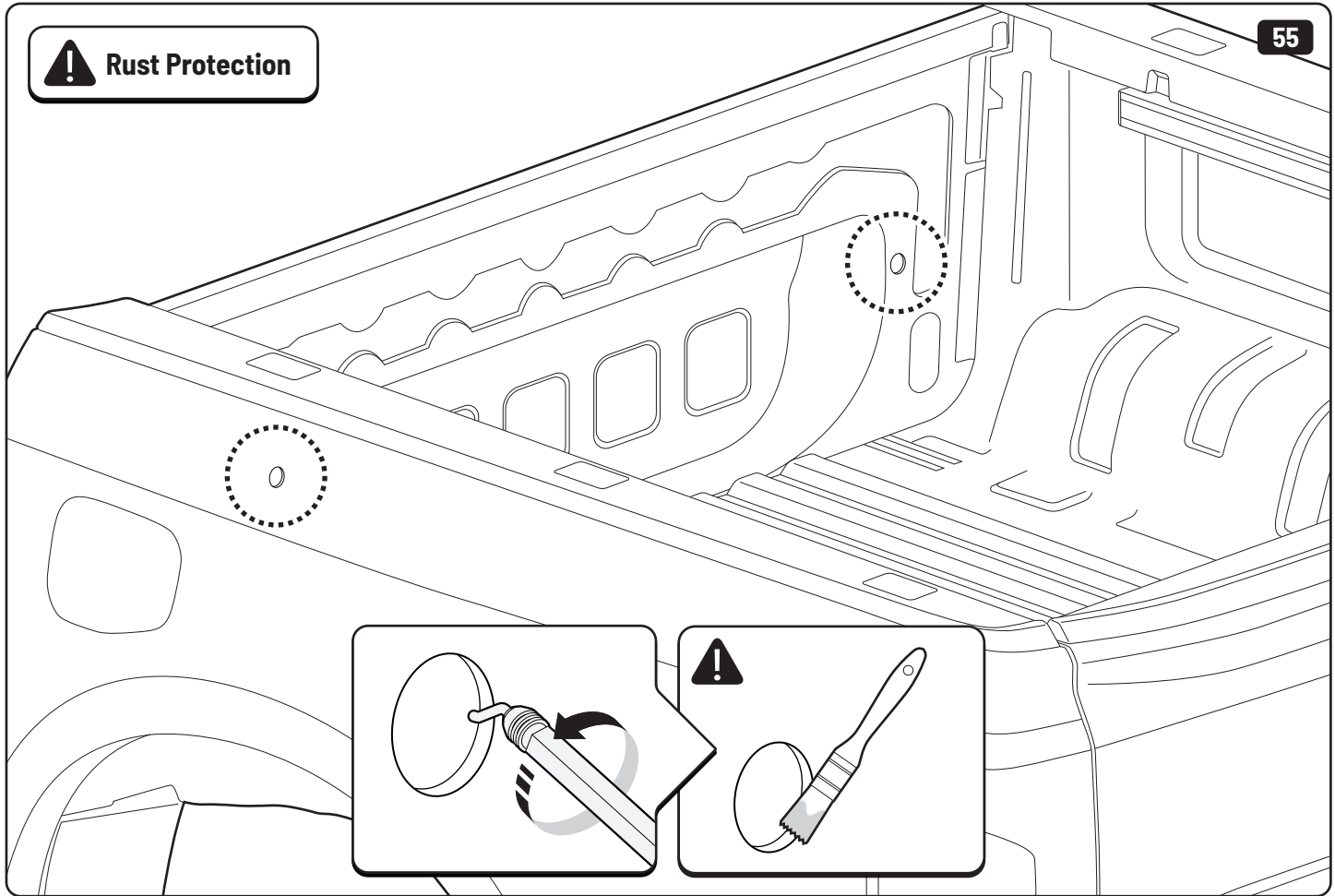


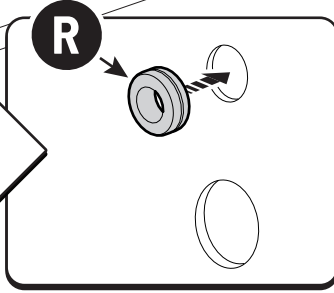
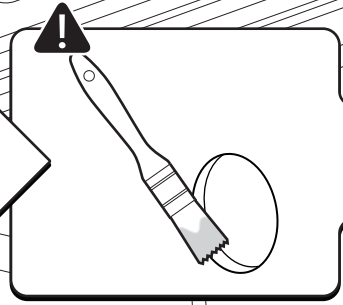
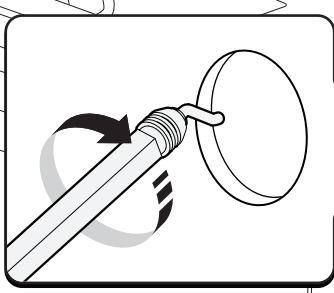
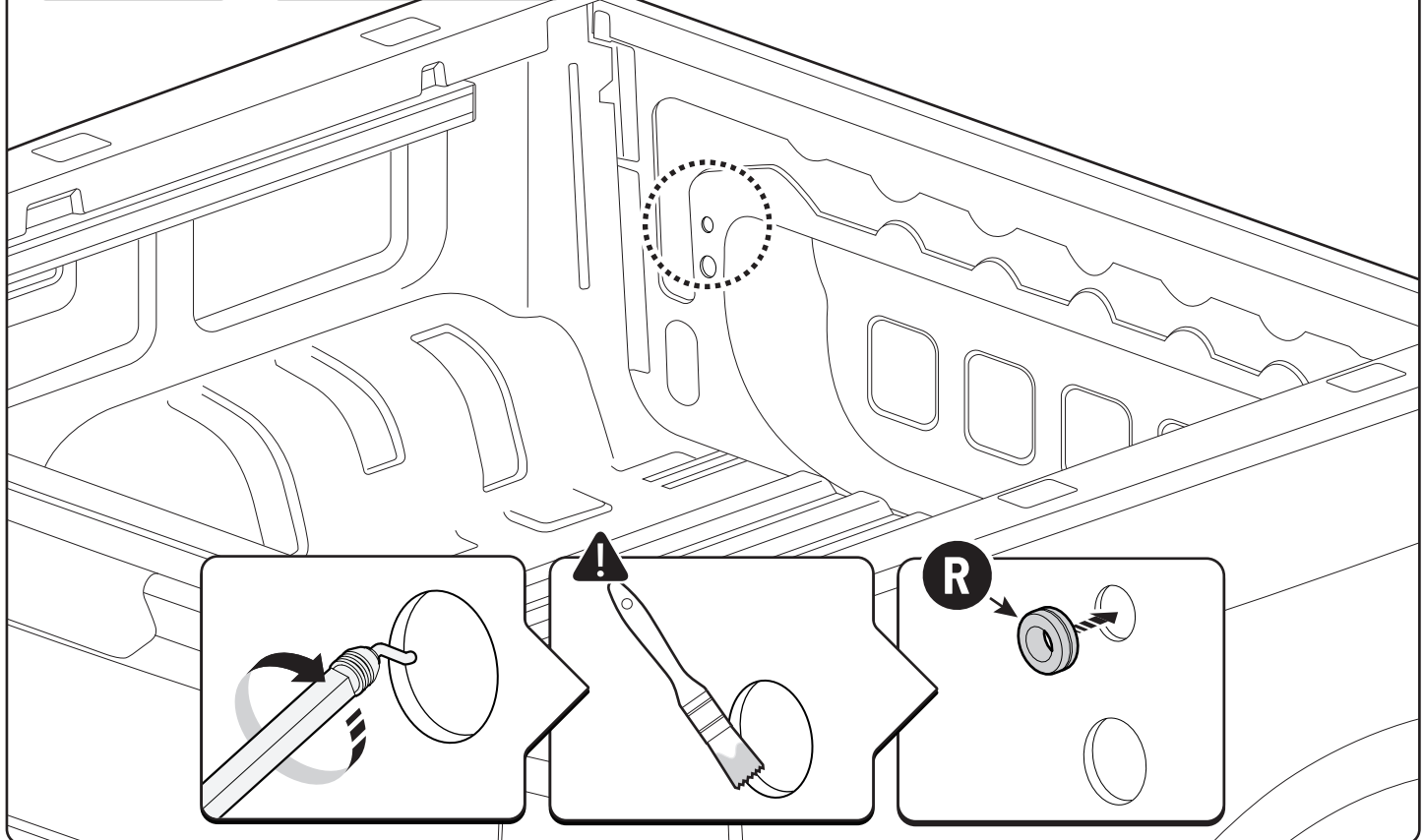
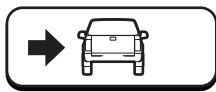
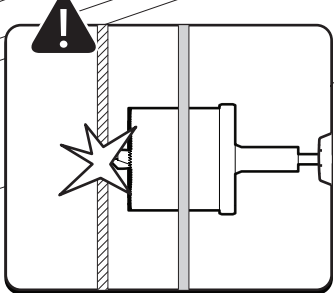
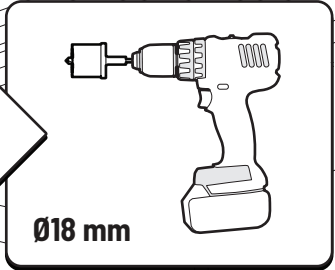
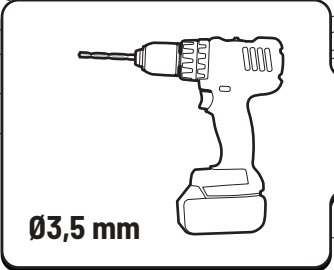
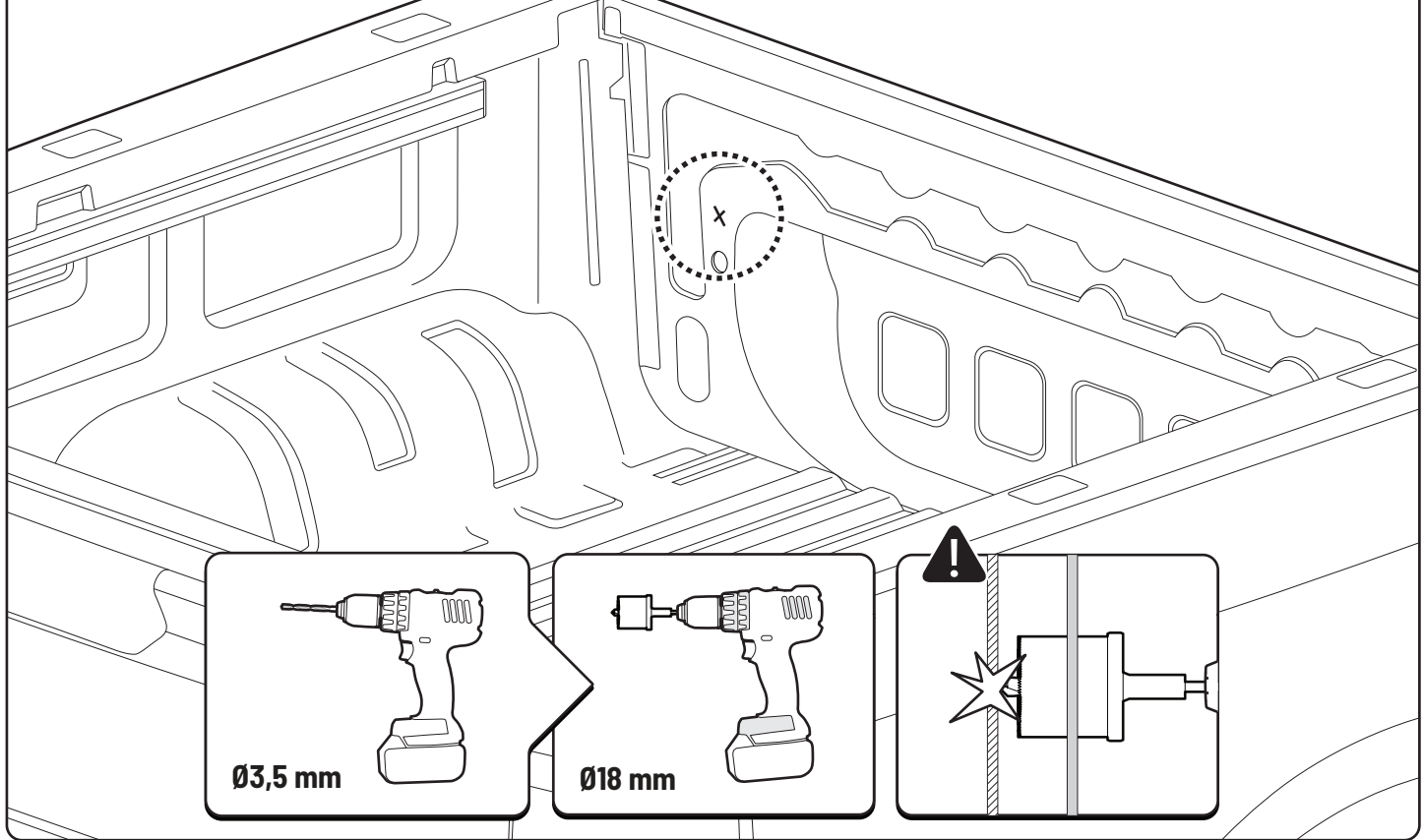
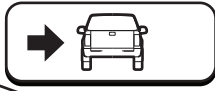
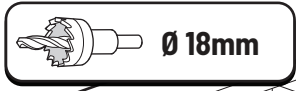
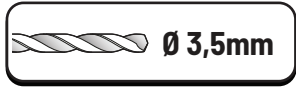
 Ø40 mm

54

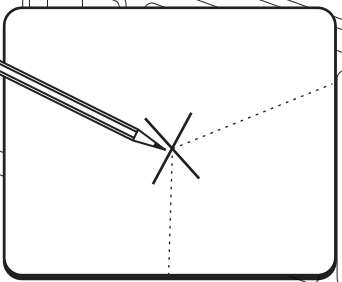
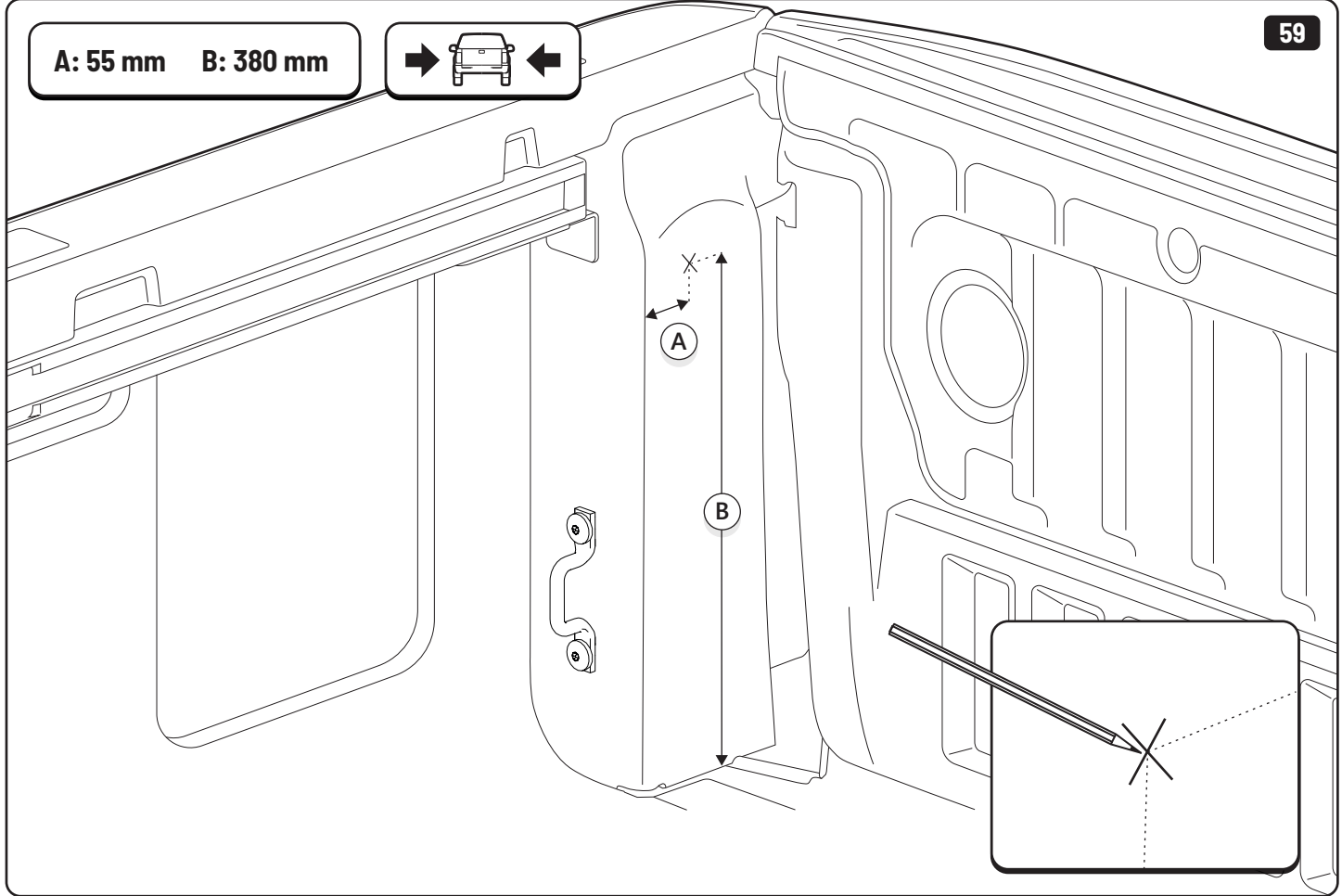
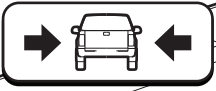



! Rust Protection



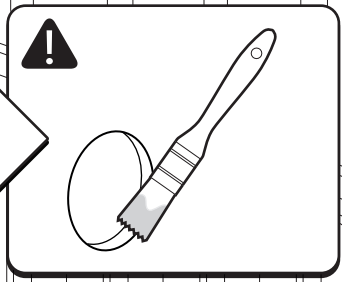
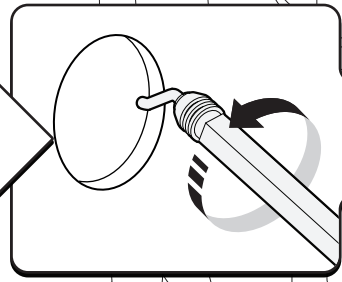
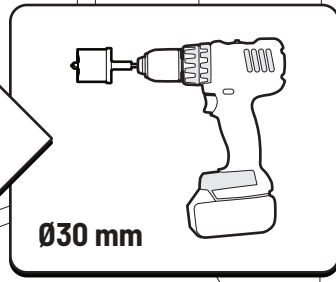
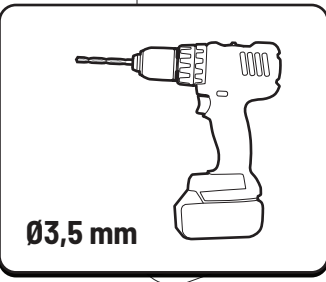
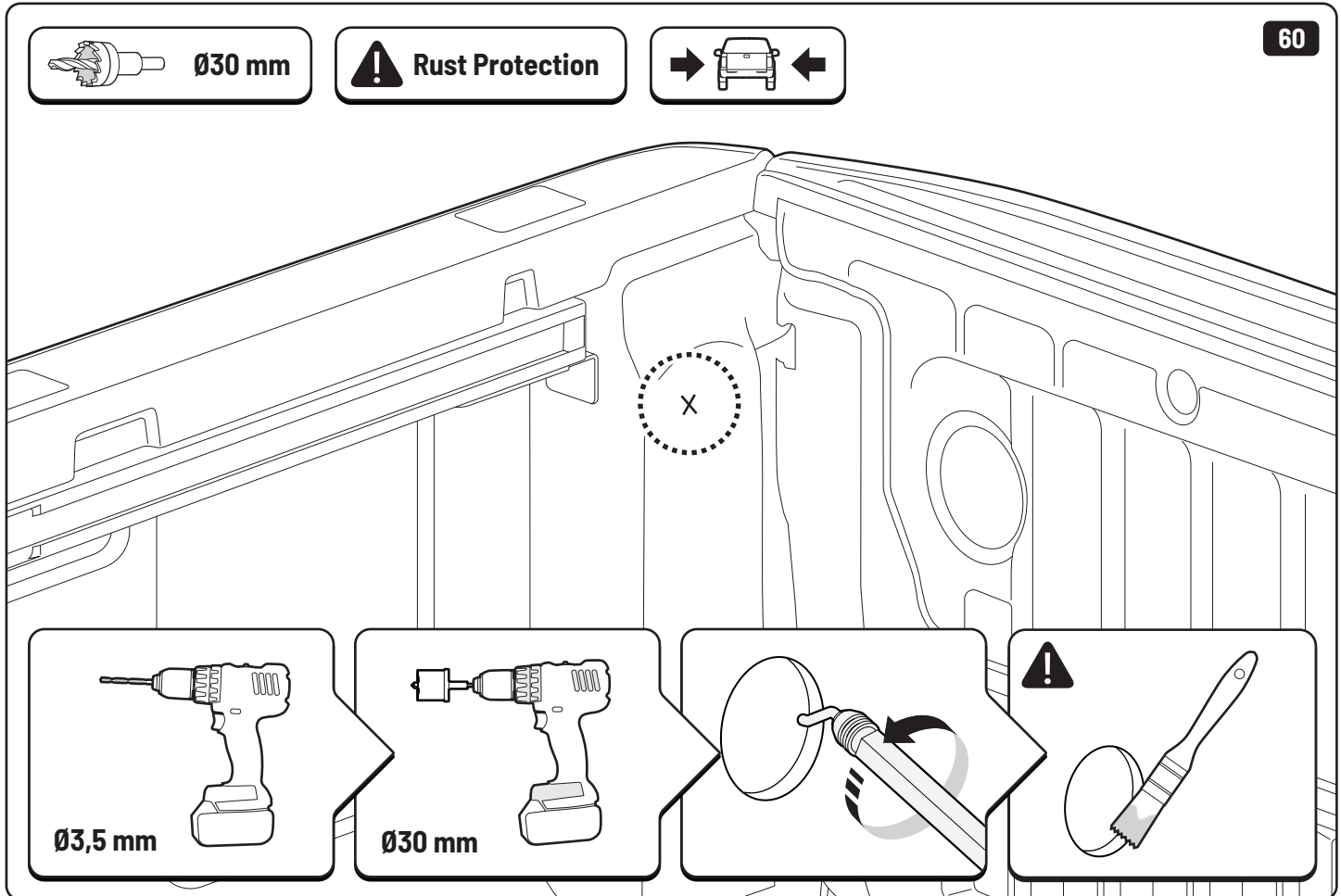


A: 55 mm B: 380 mm



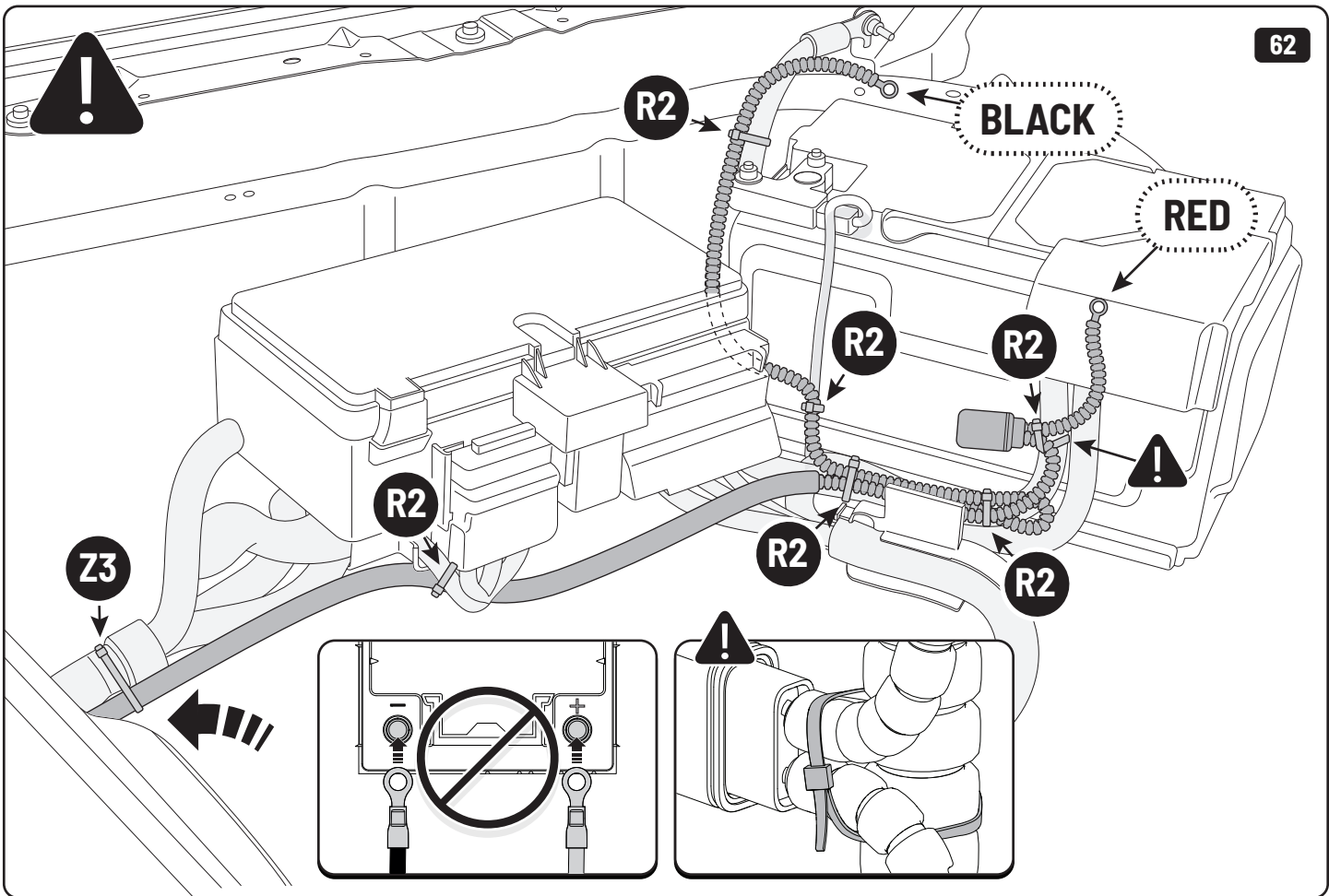
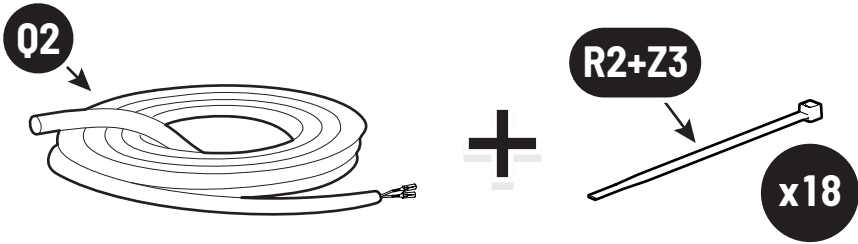
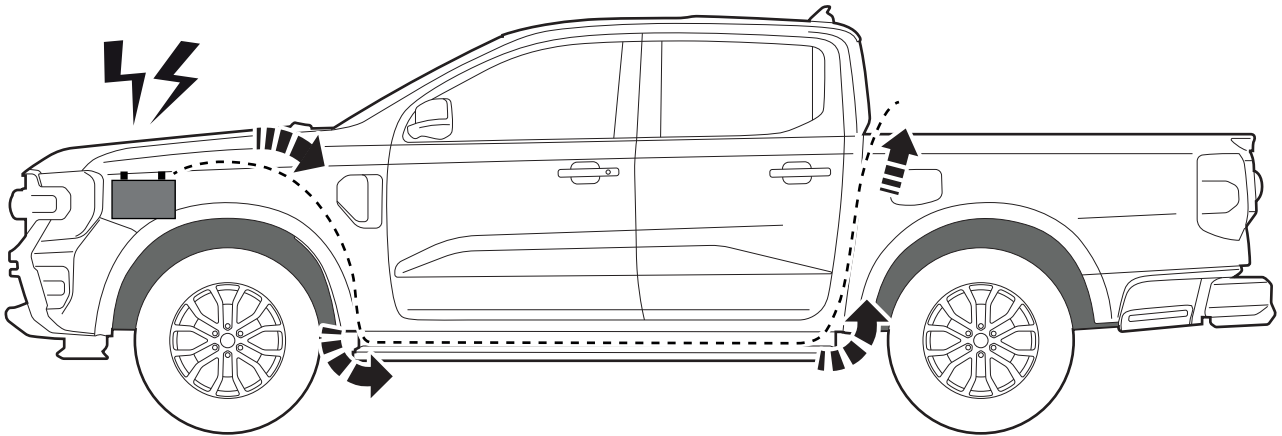
 Ø30 mm

 Rust Protection

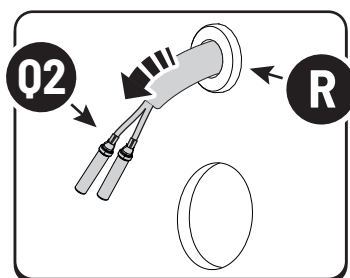
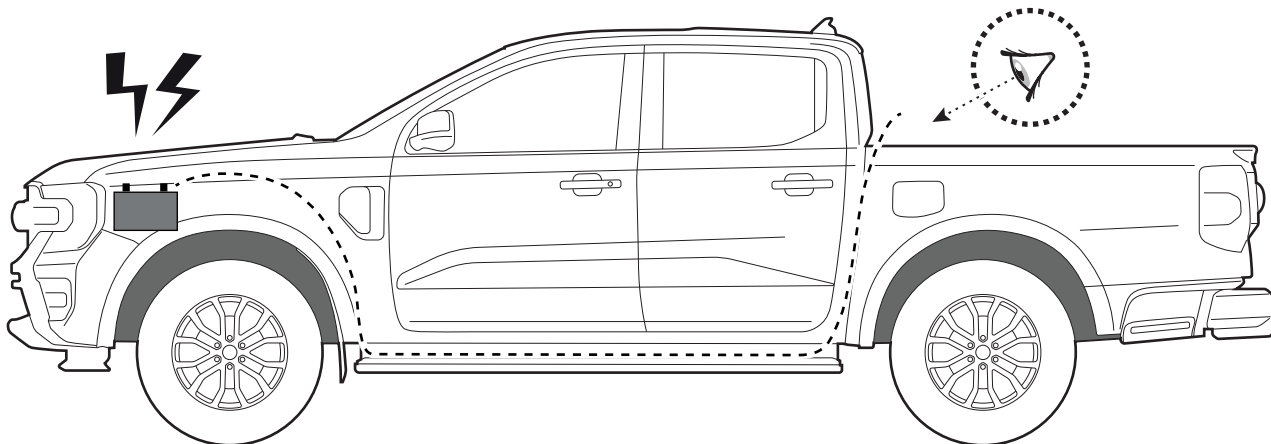
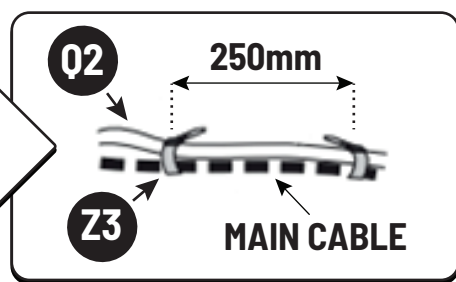
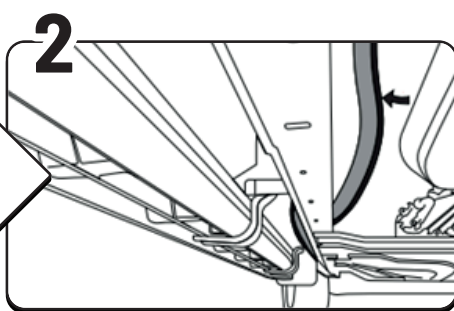
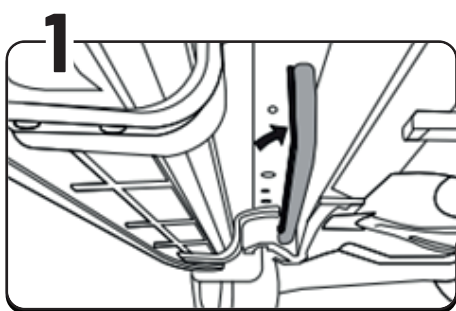
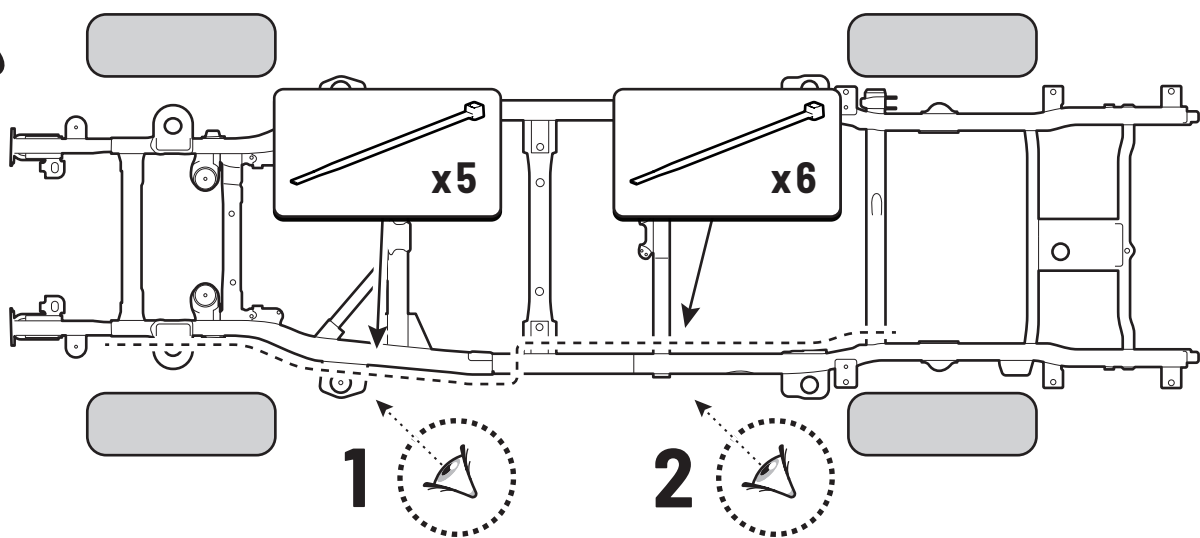


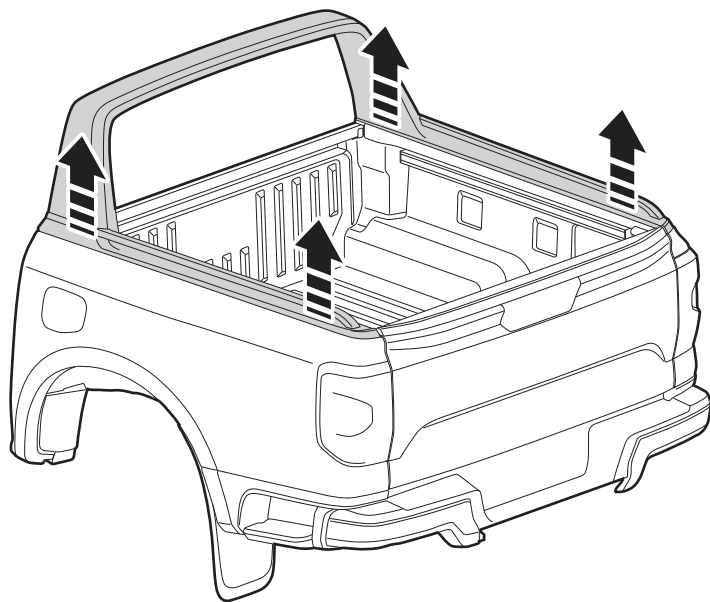
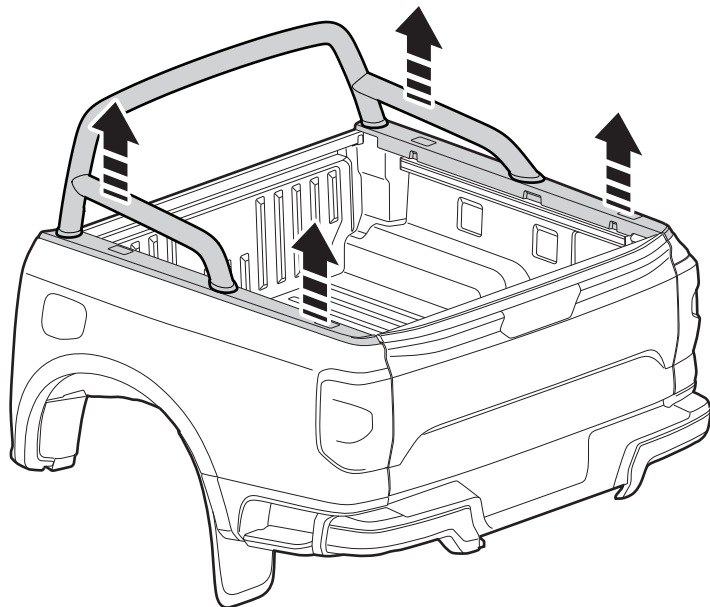
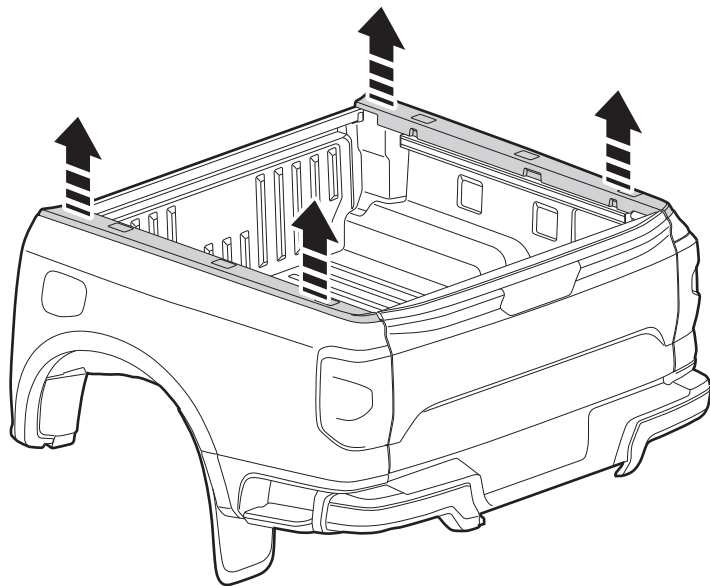
! ONLY TO BE INSTALLED BY AUTHORIZED PERSONNEL

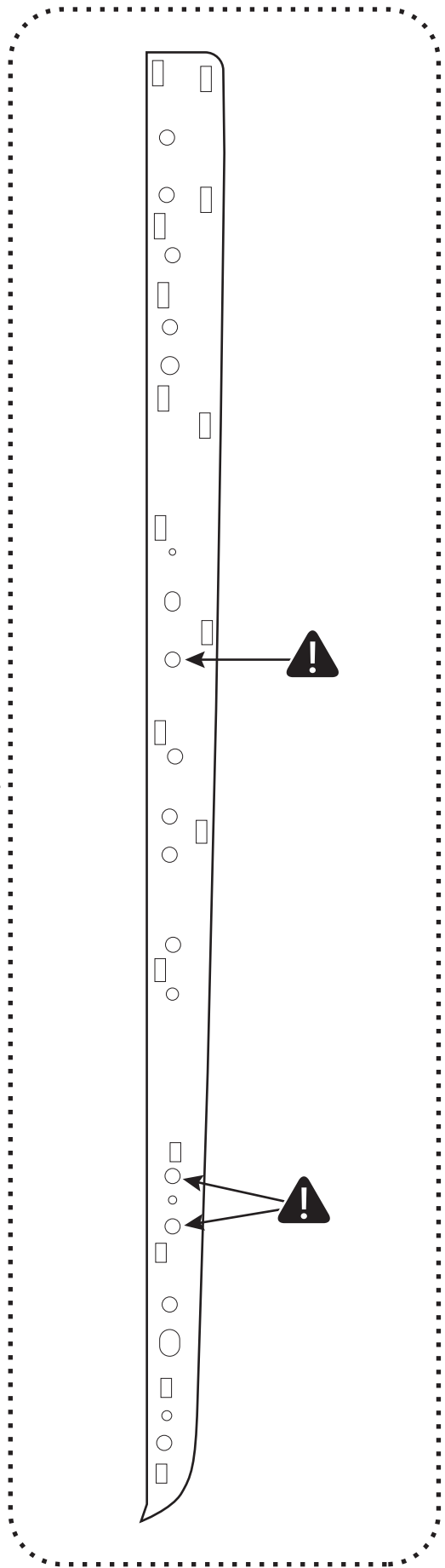
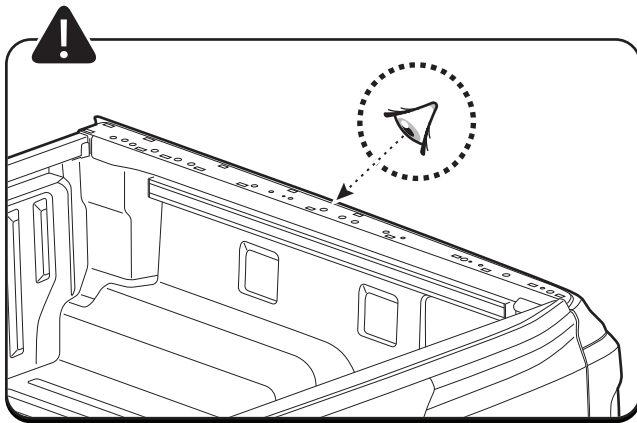
61



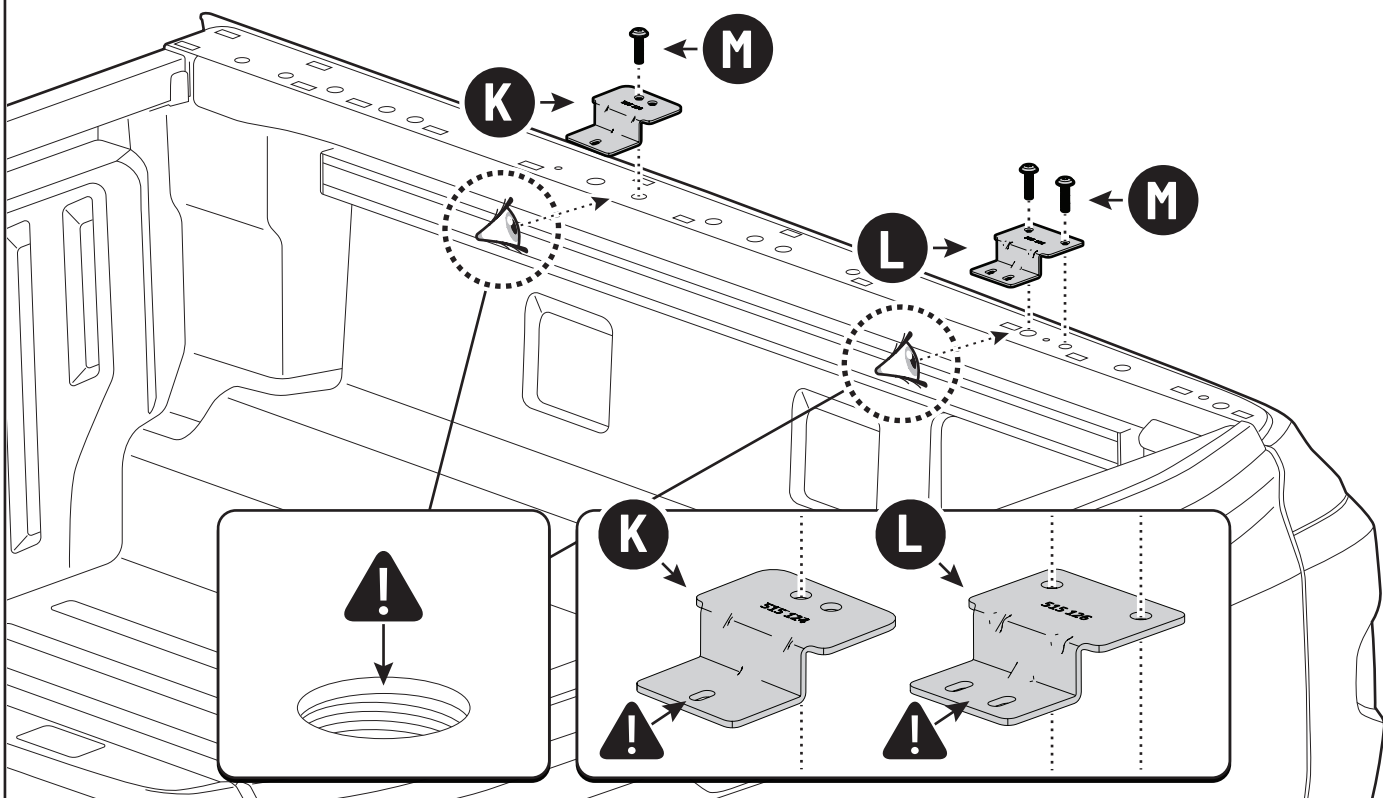
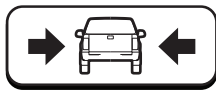
62





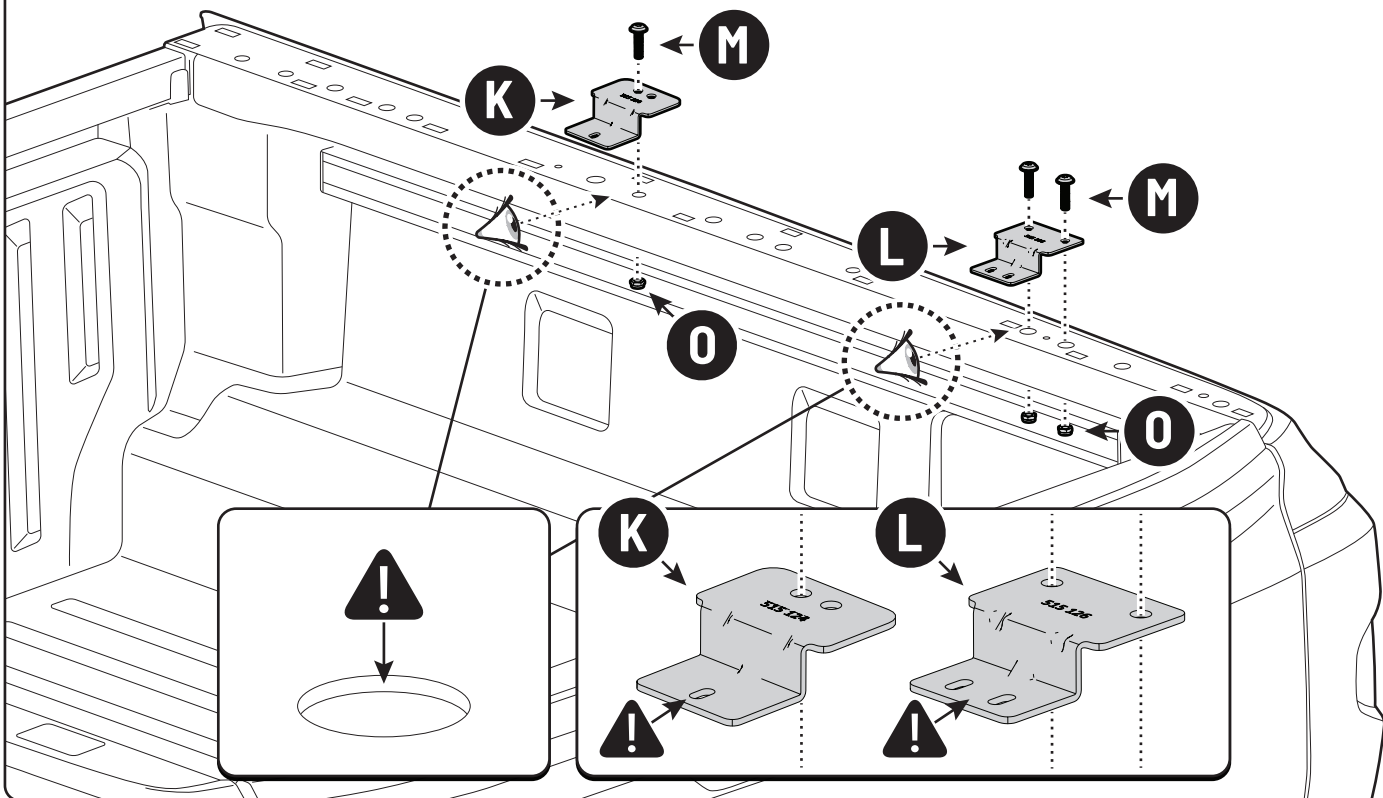
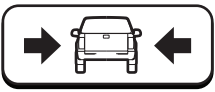


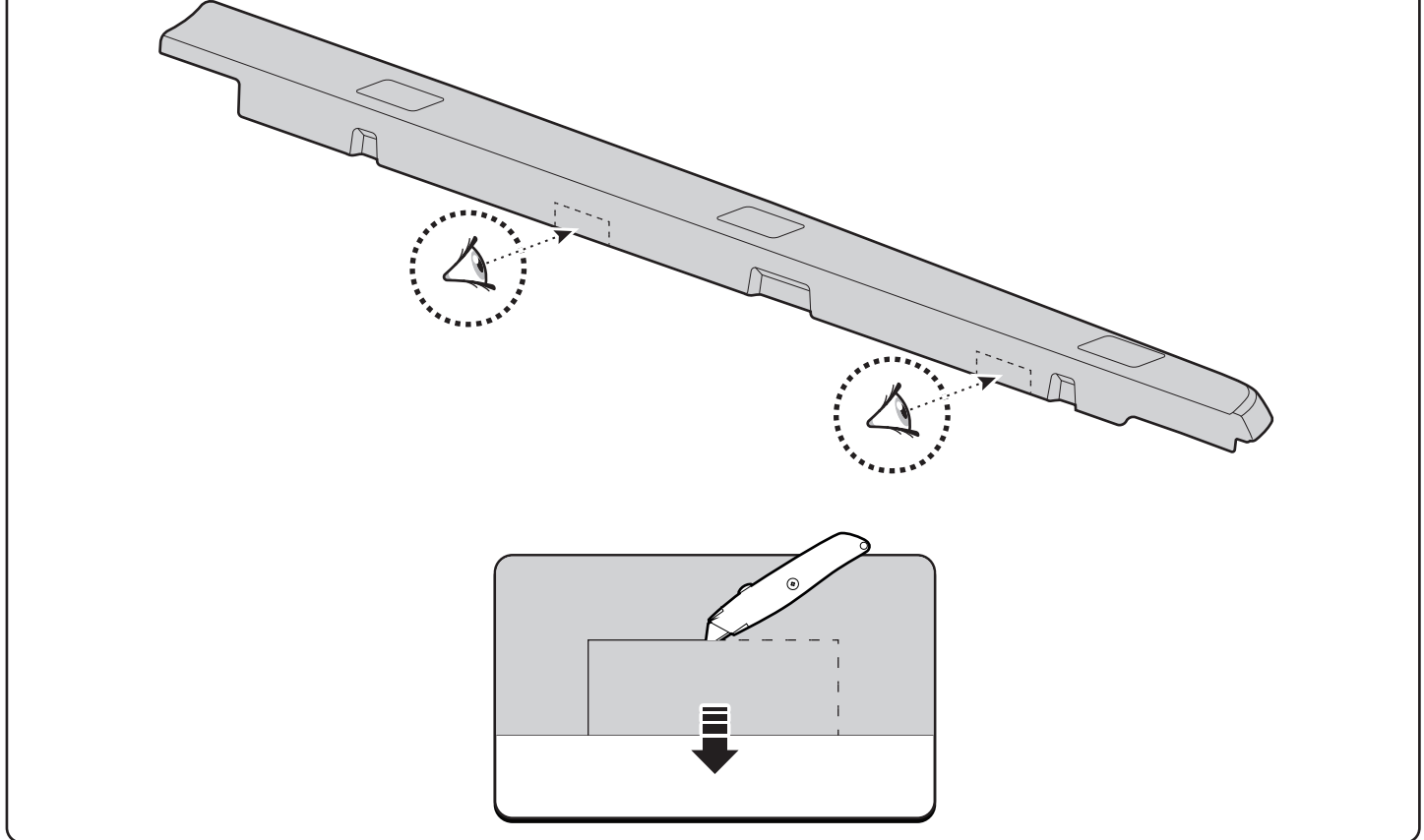
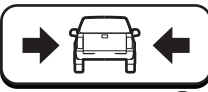
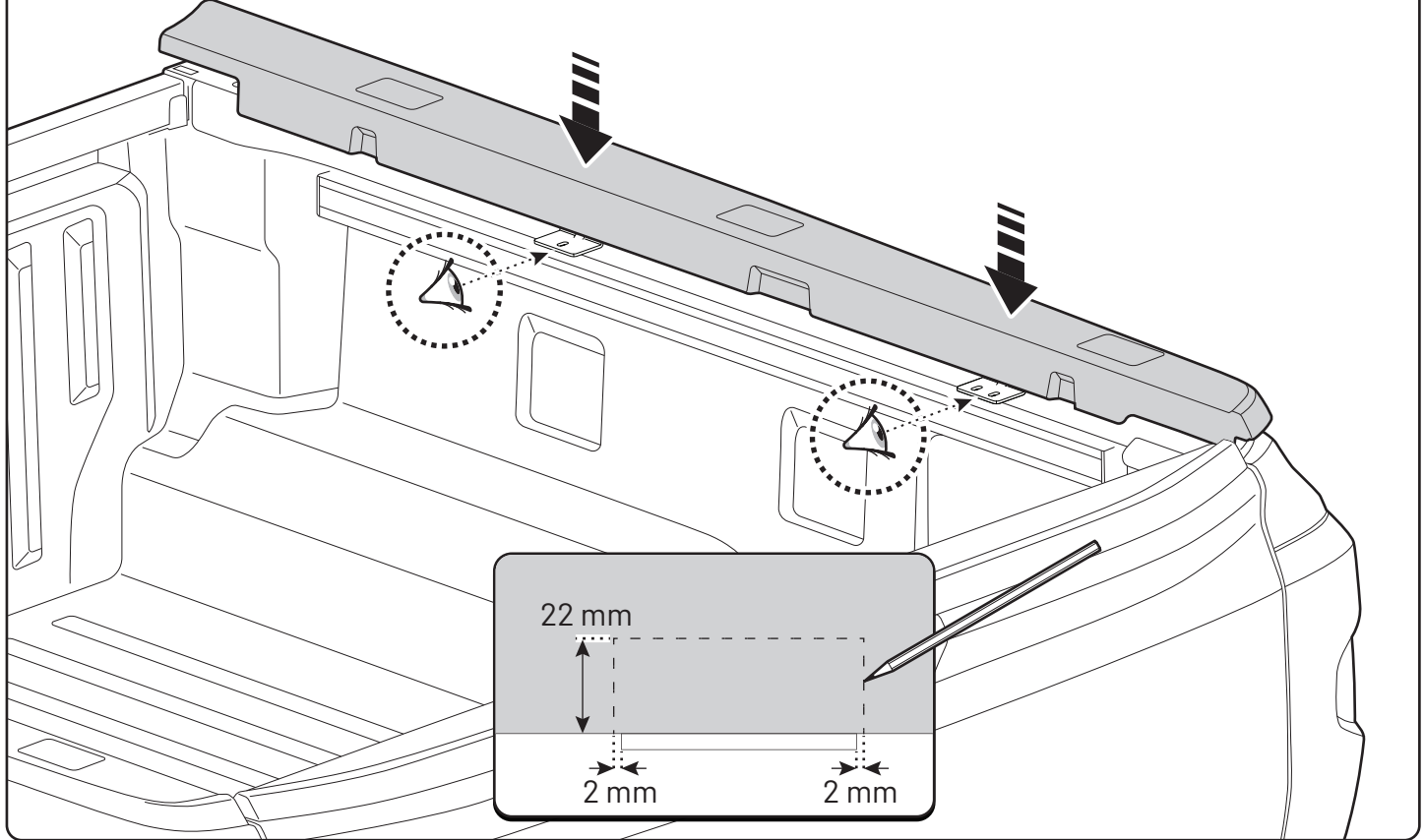
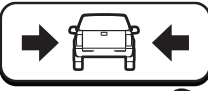
 T45 **25 Nm**

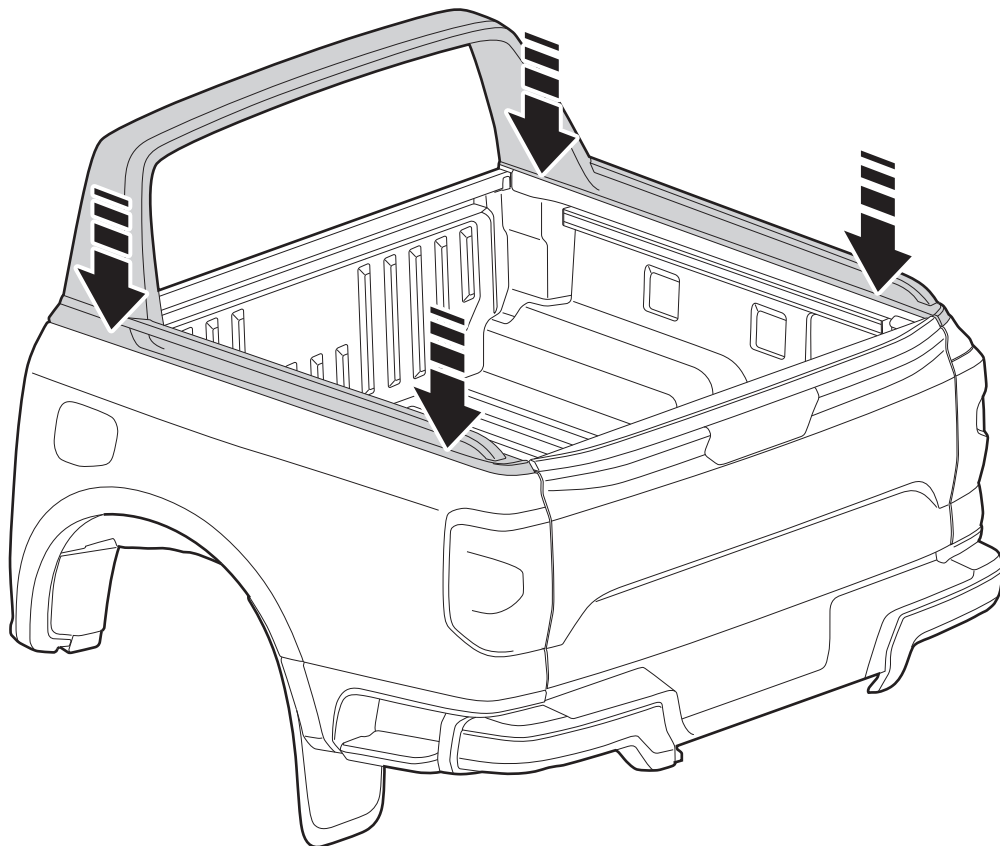
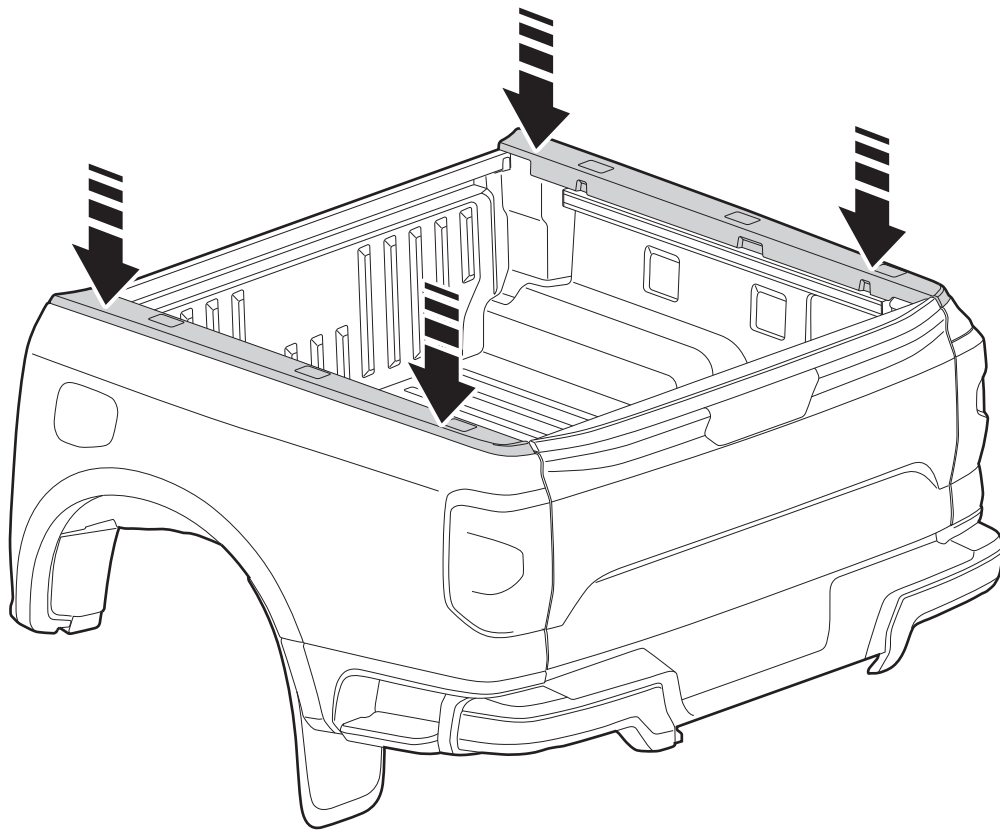


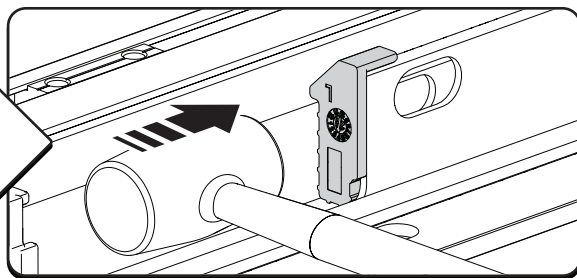
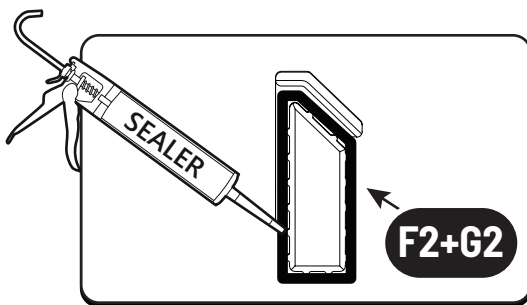
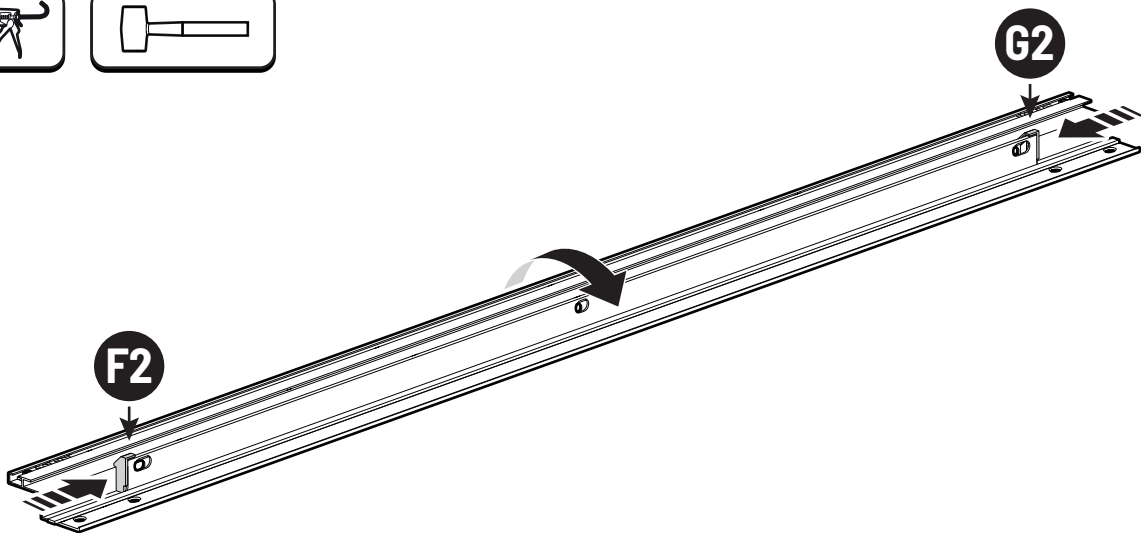
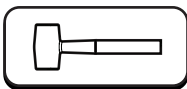
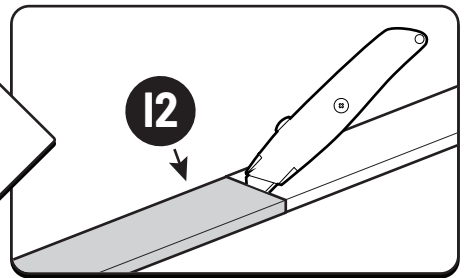
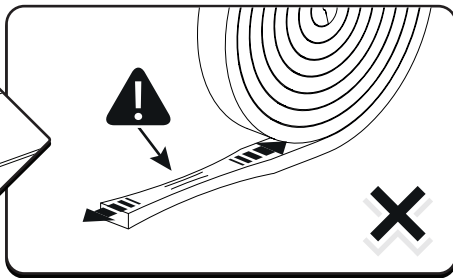
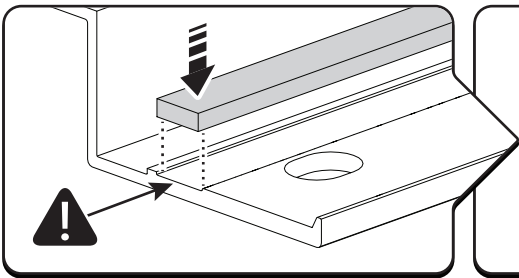
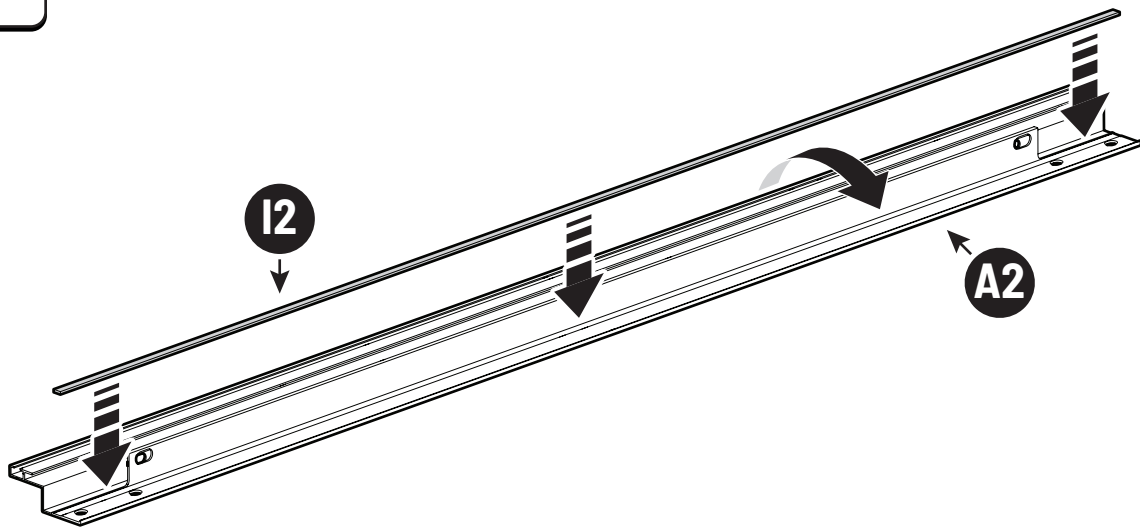
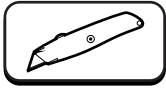
 13 mm

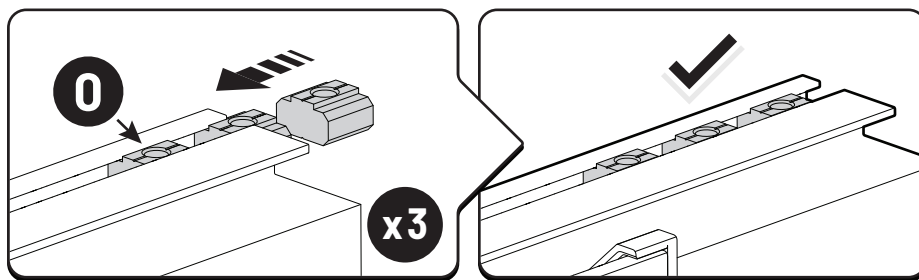
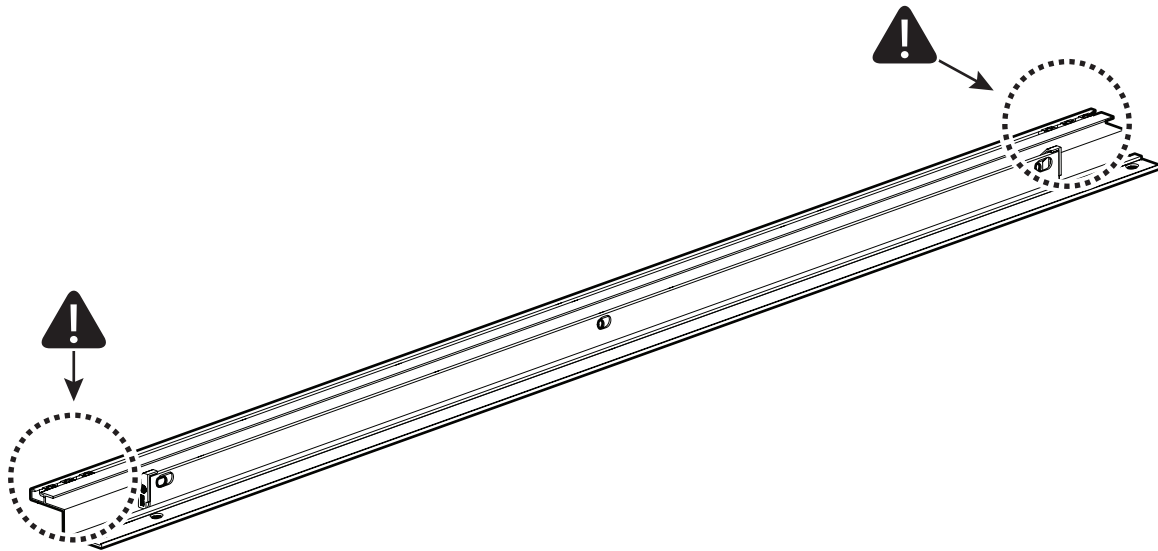
 T45 **25 Nm**



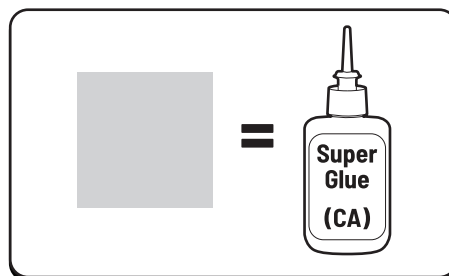
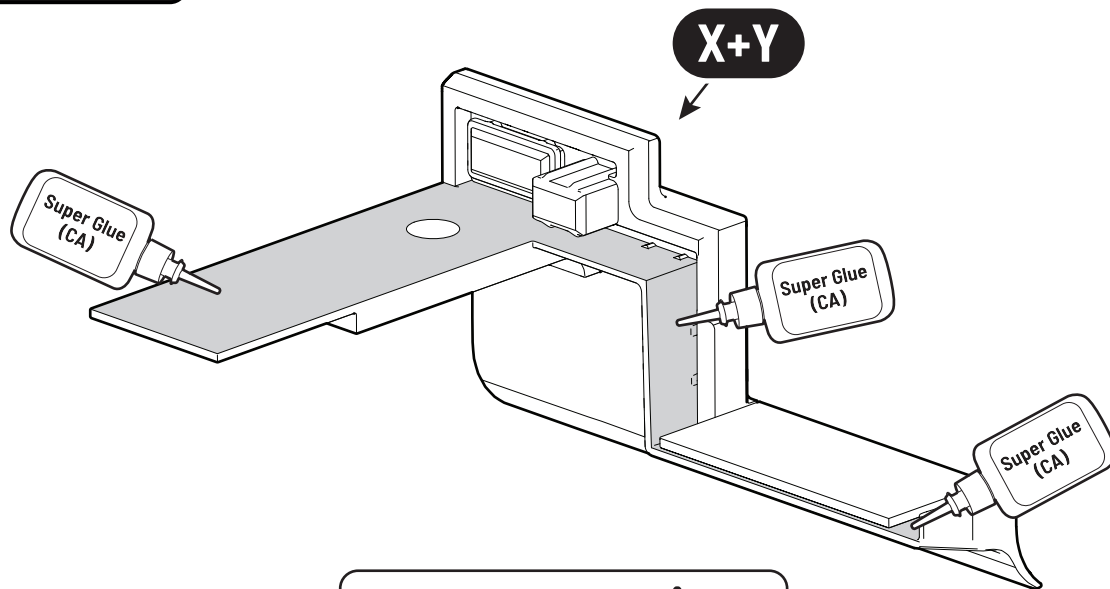








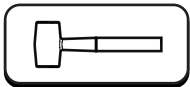
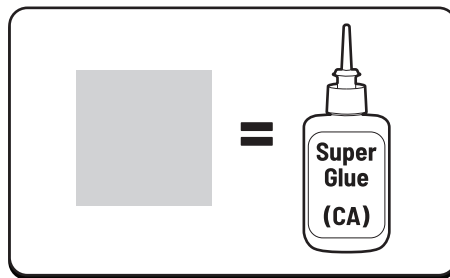
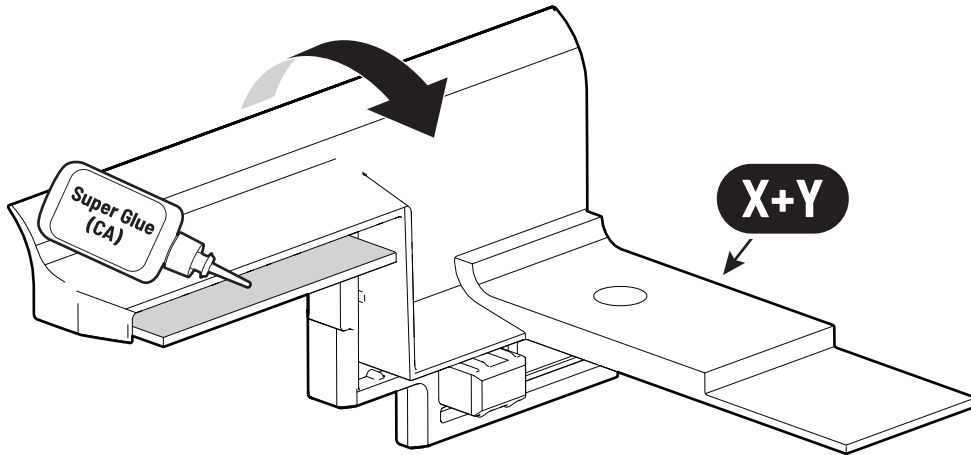
 **Super Glue (CA)**



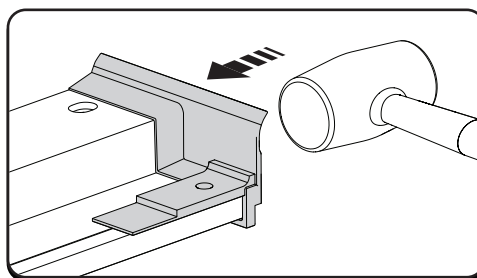
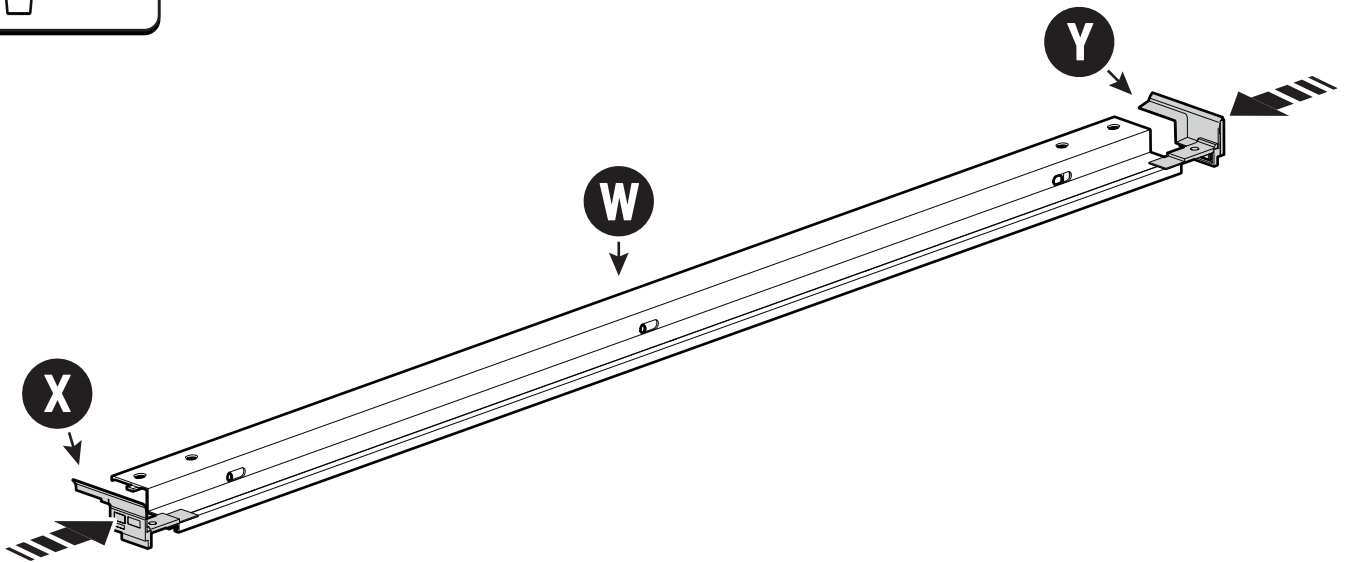


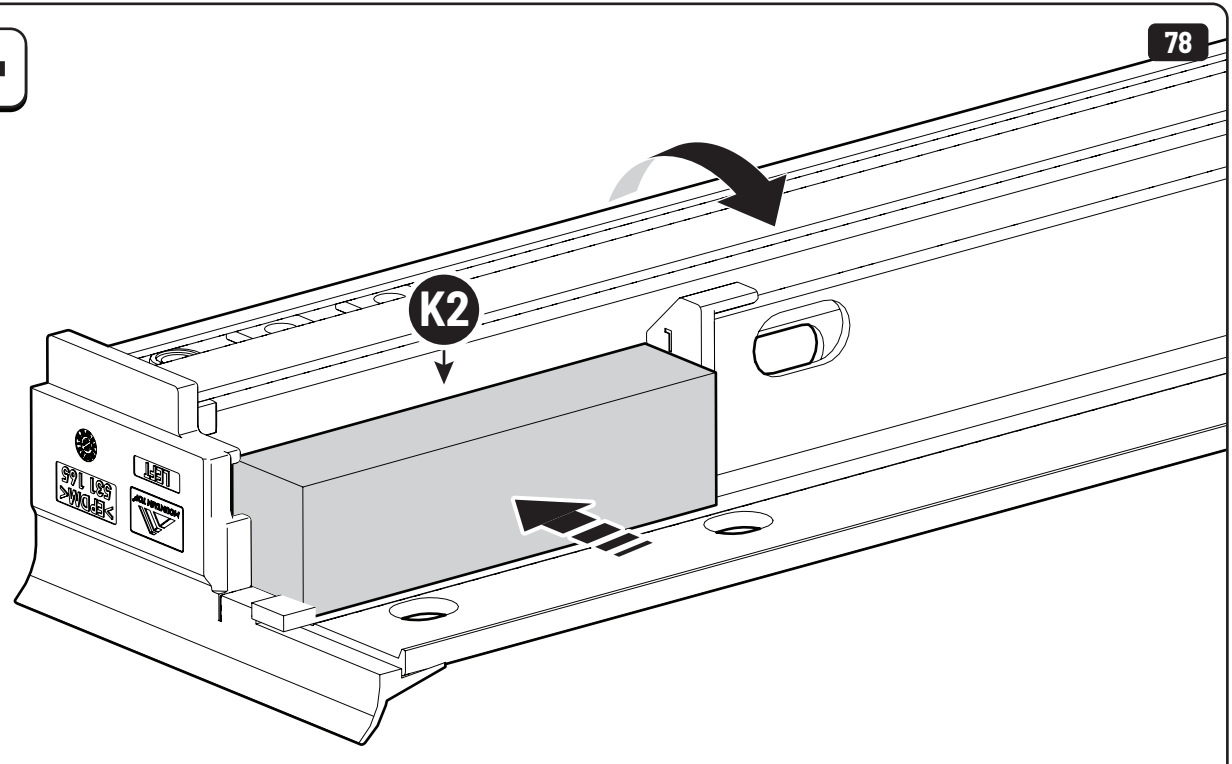
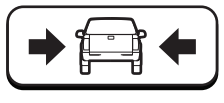
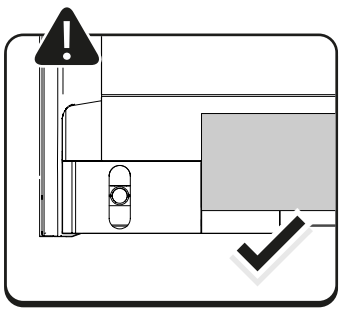
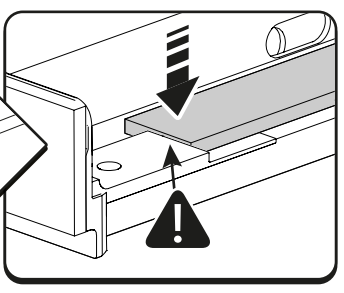
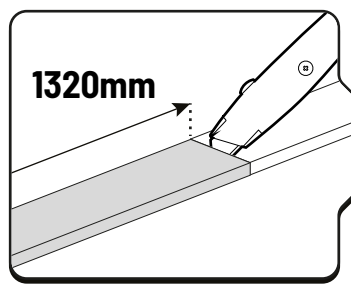
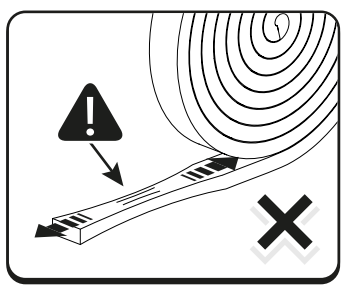
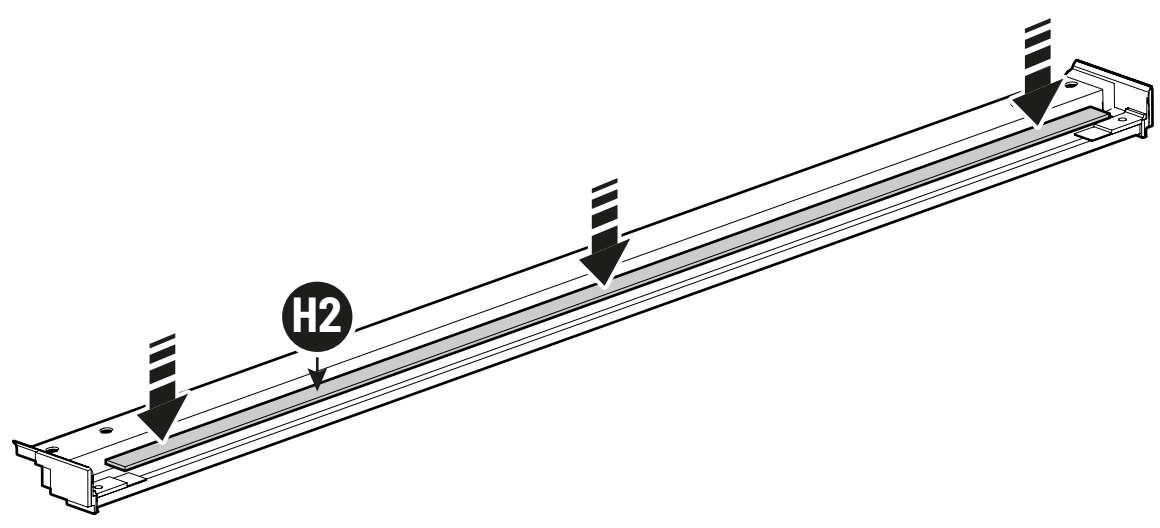
Super Glue (CA)

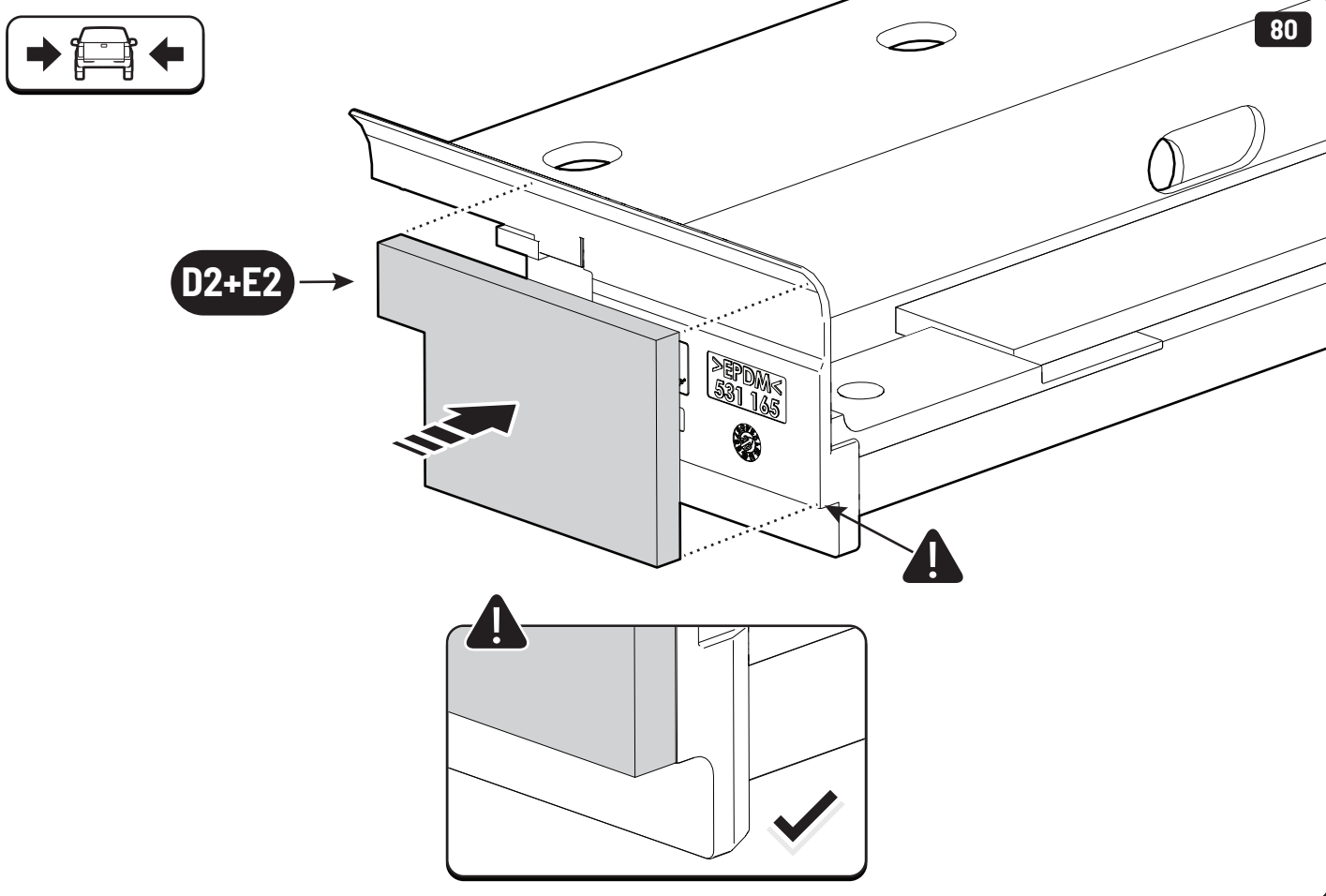
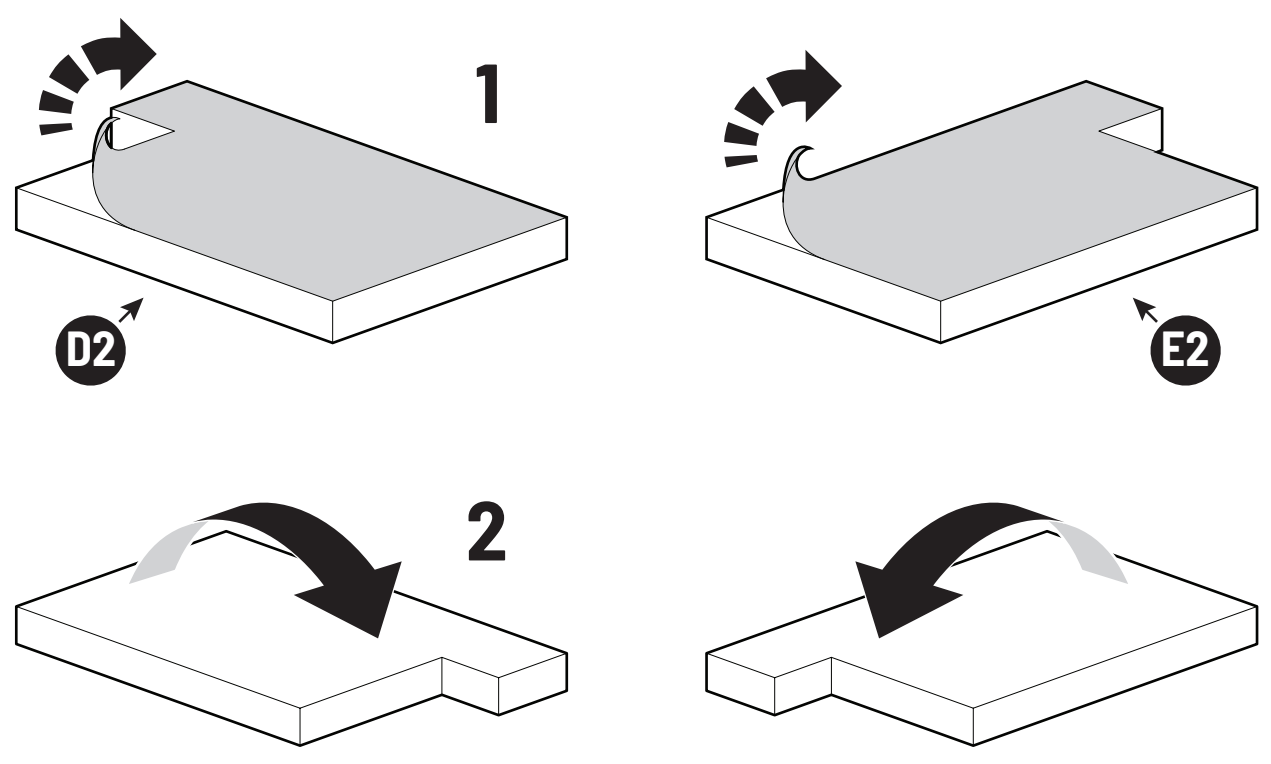
75

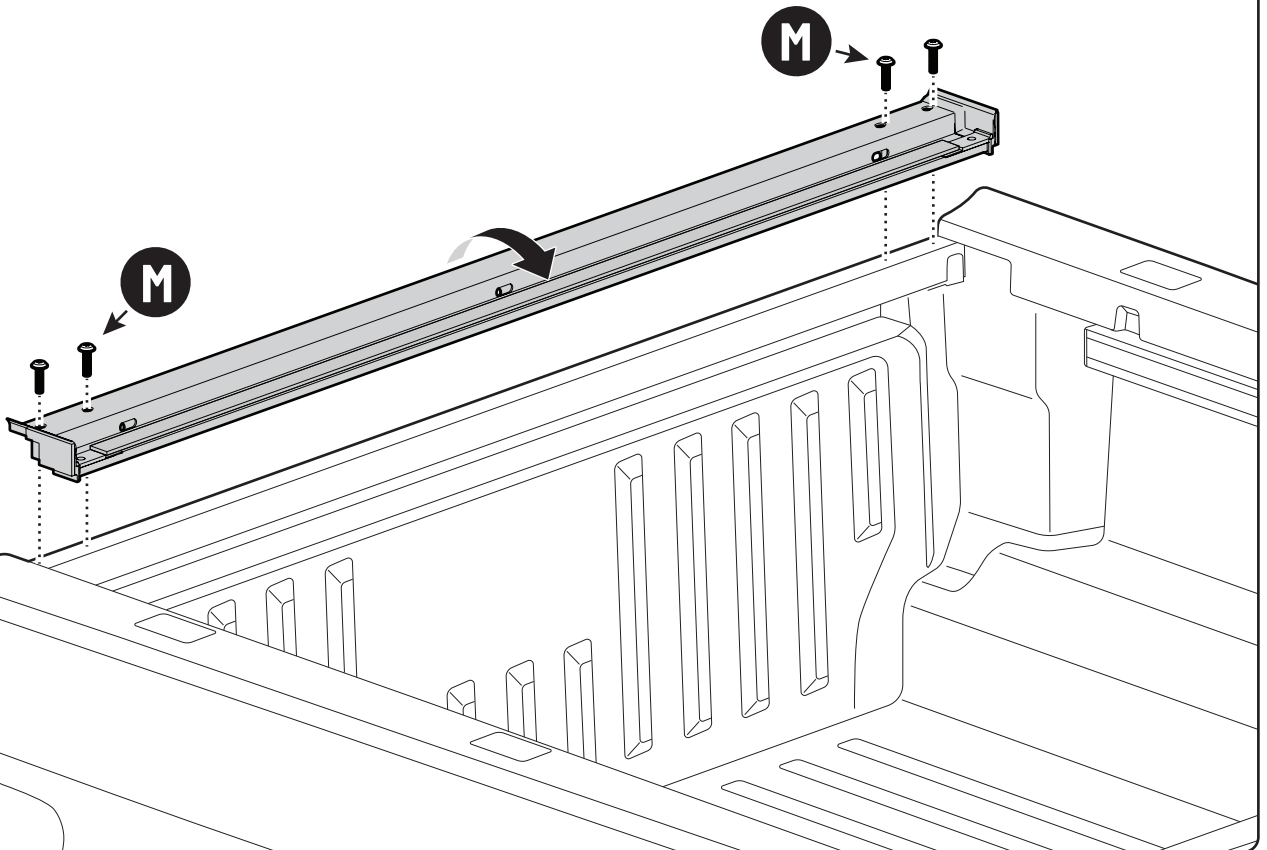
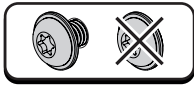
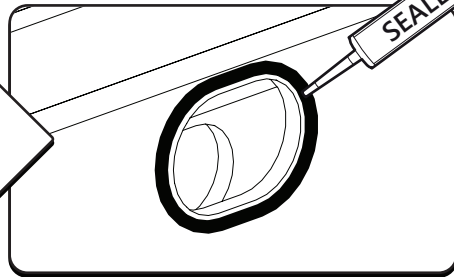
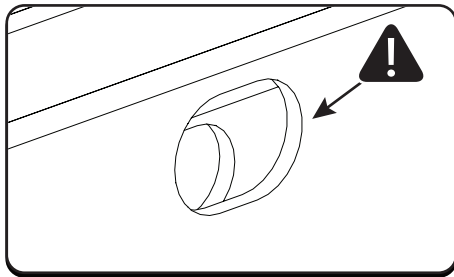
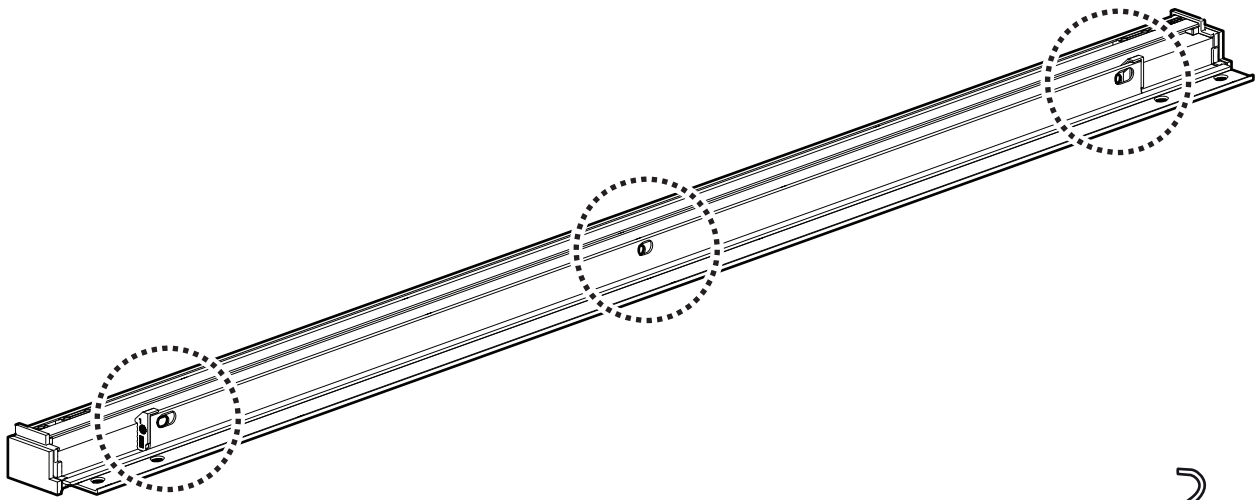


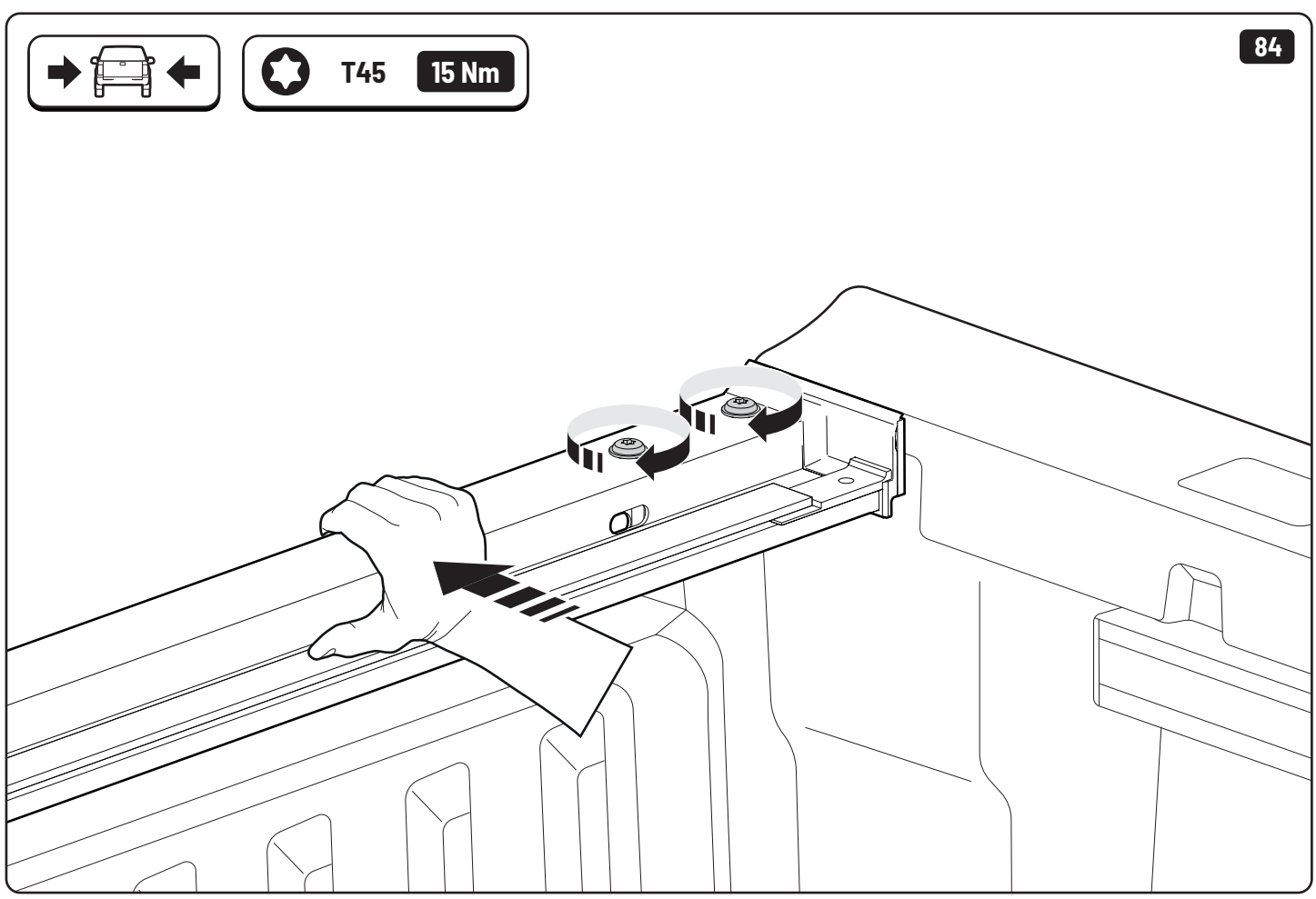
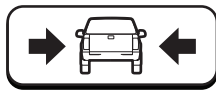
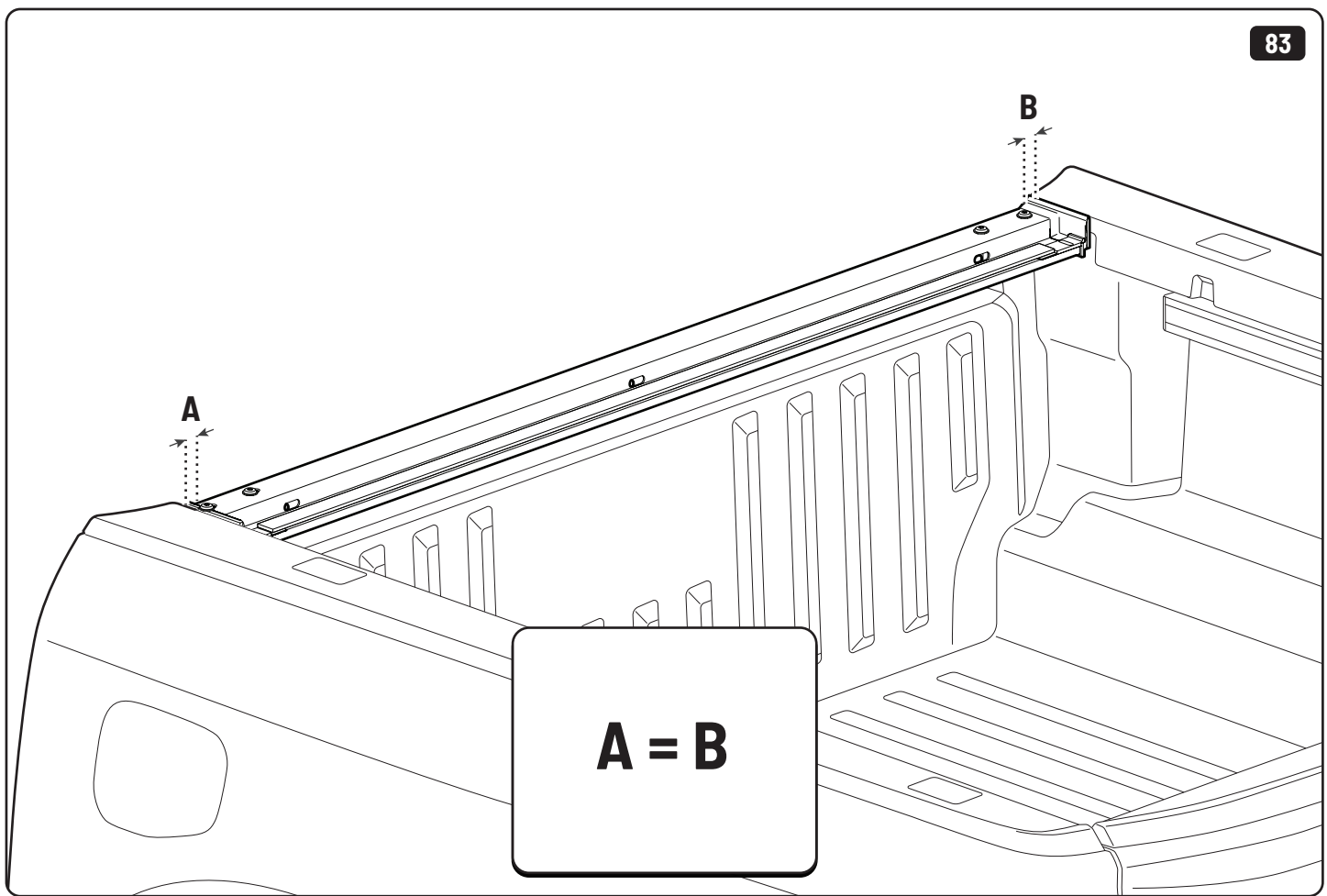
76

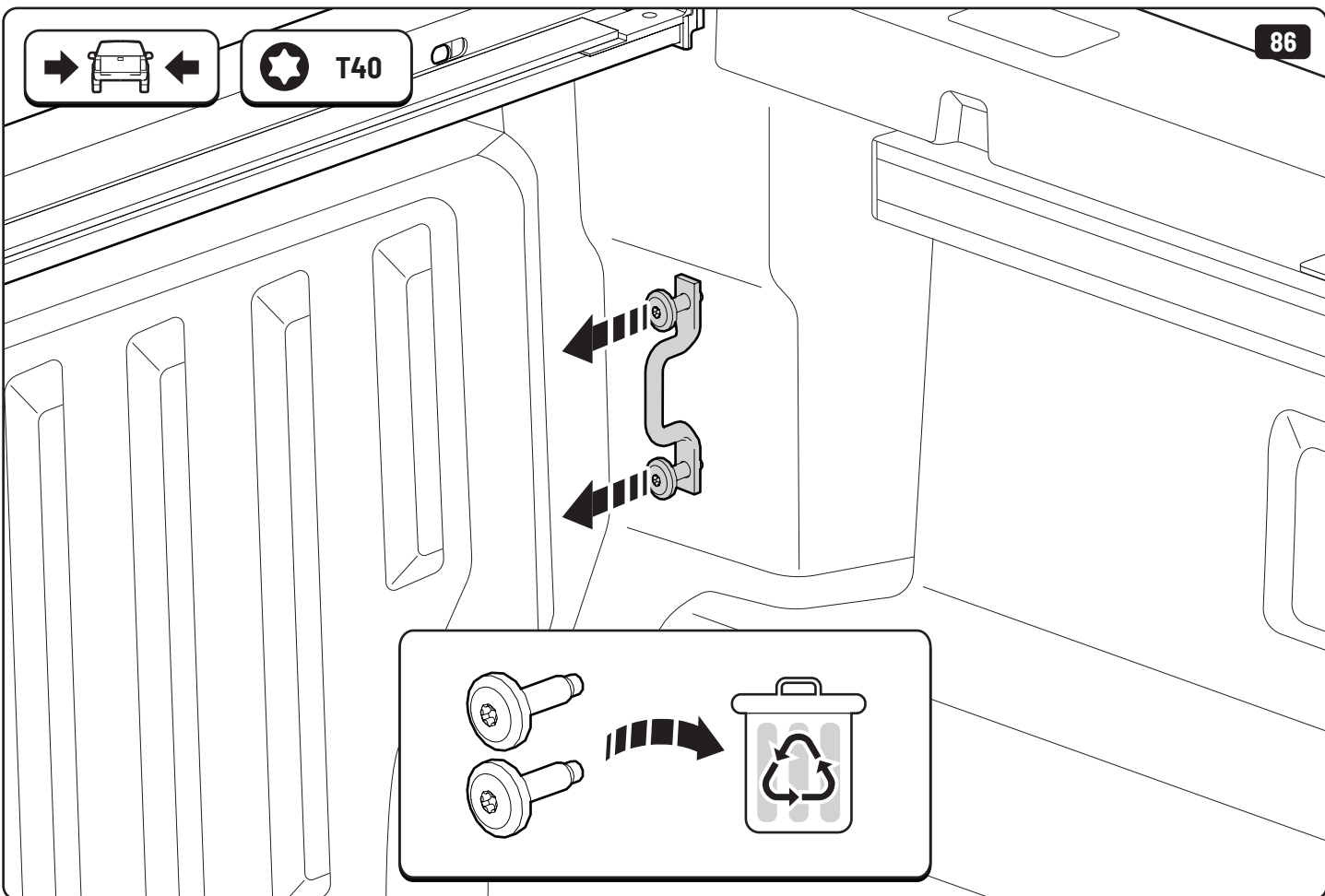
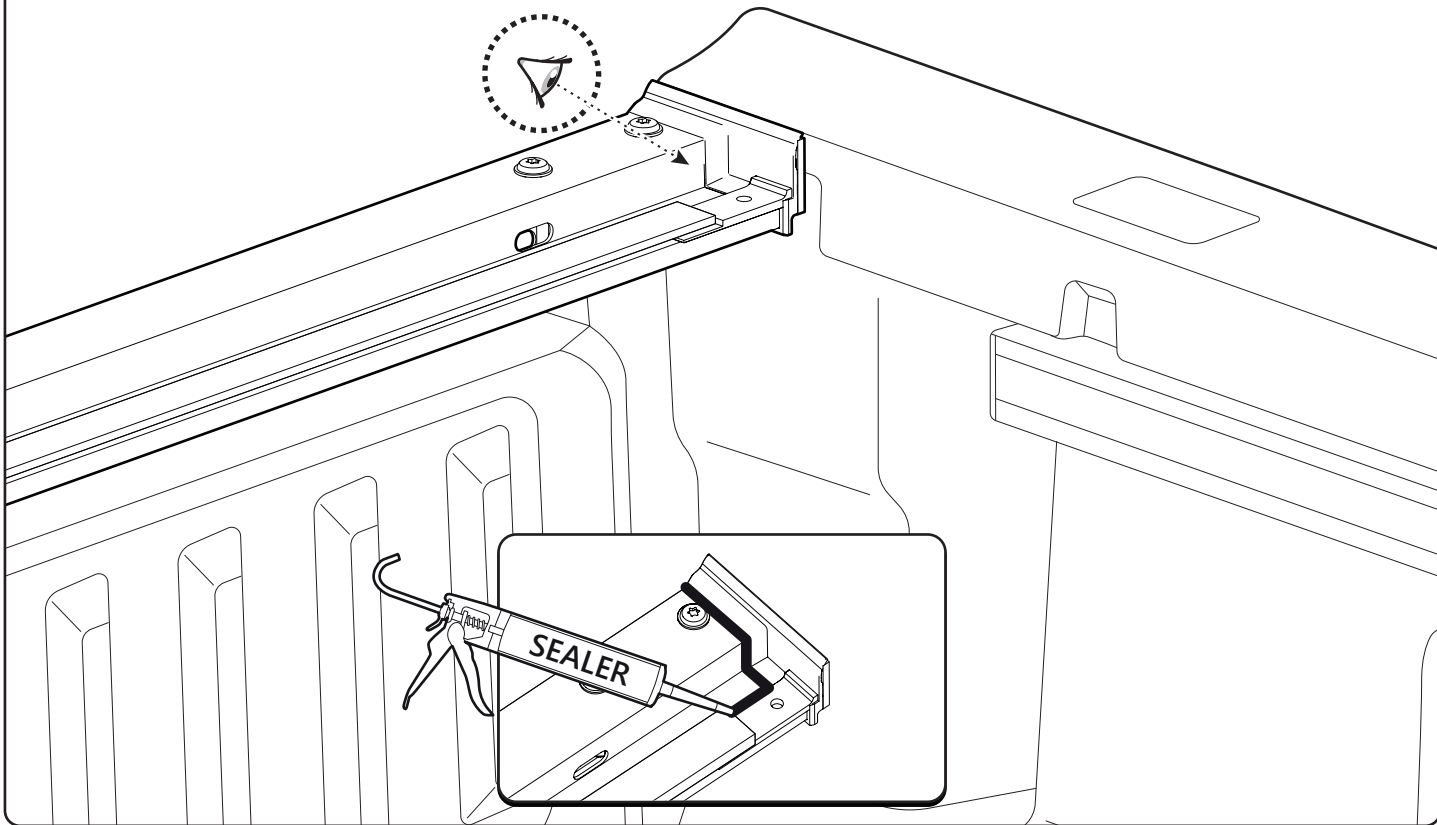


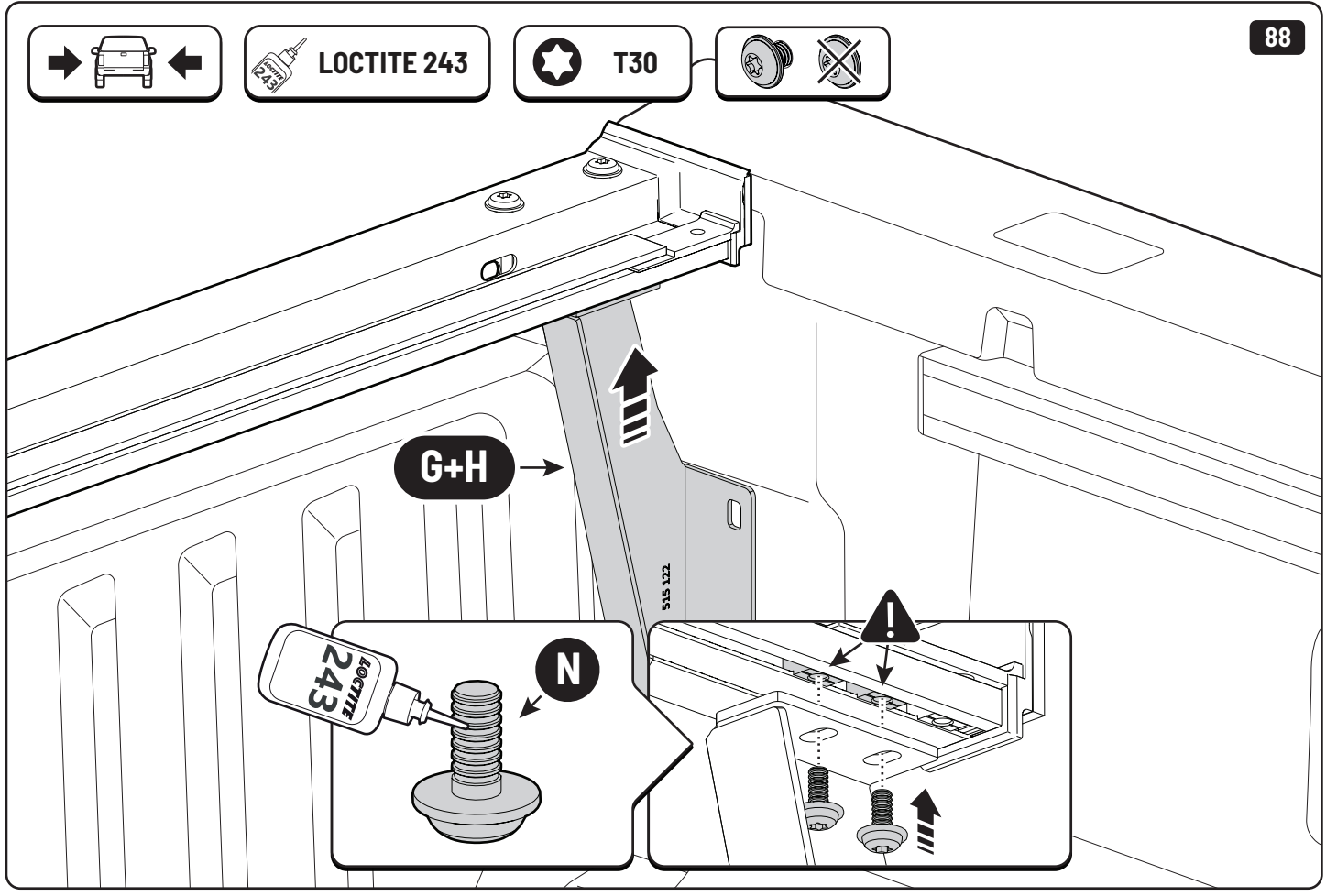
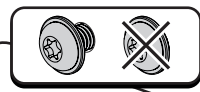
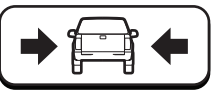
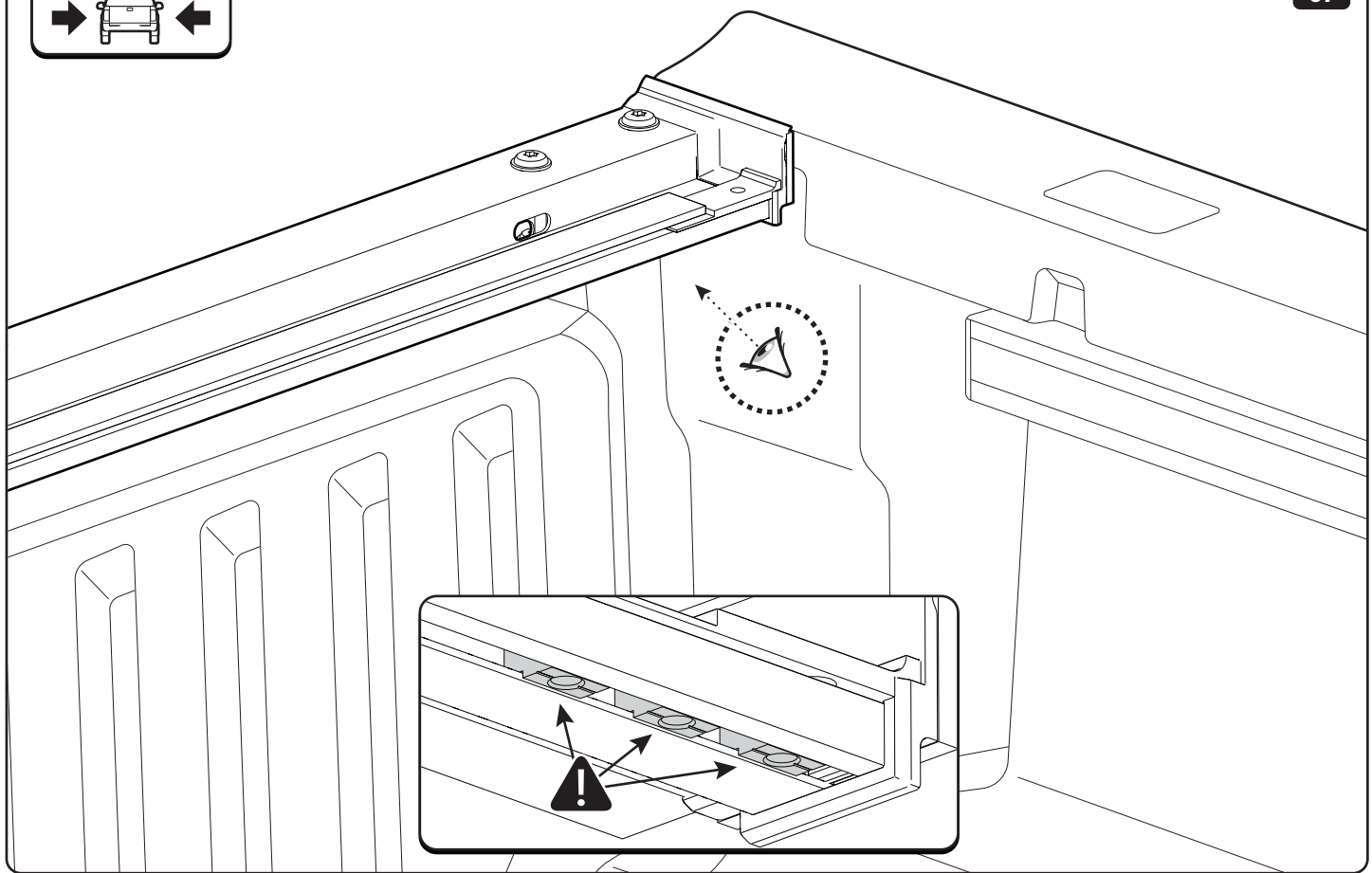
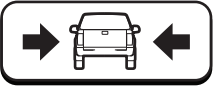


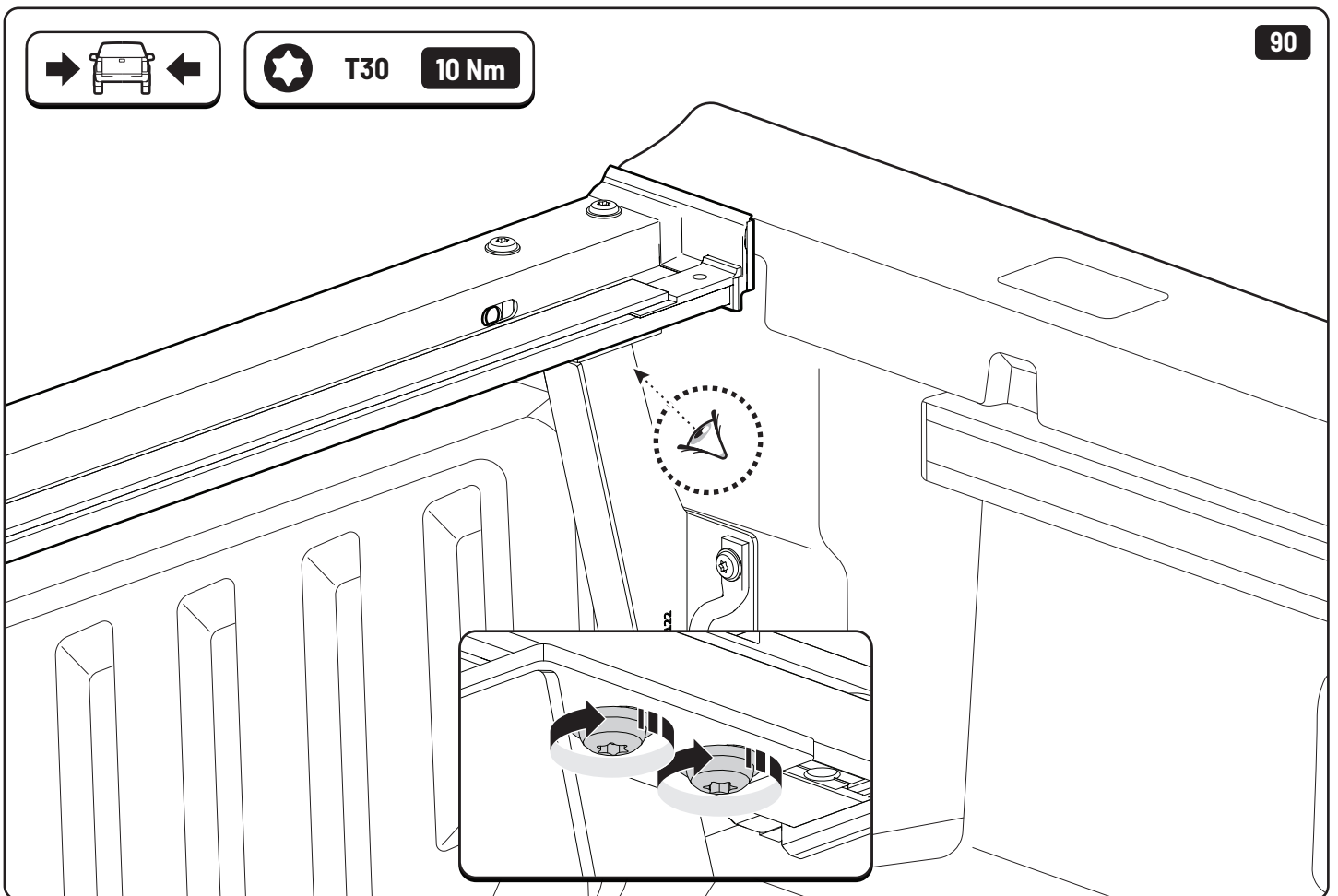
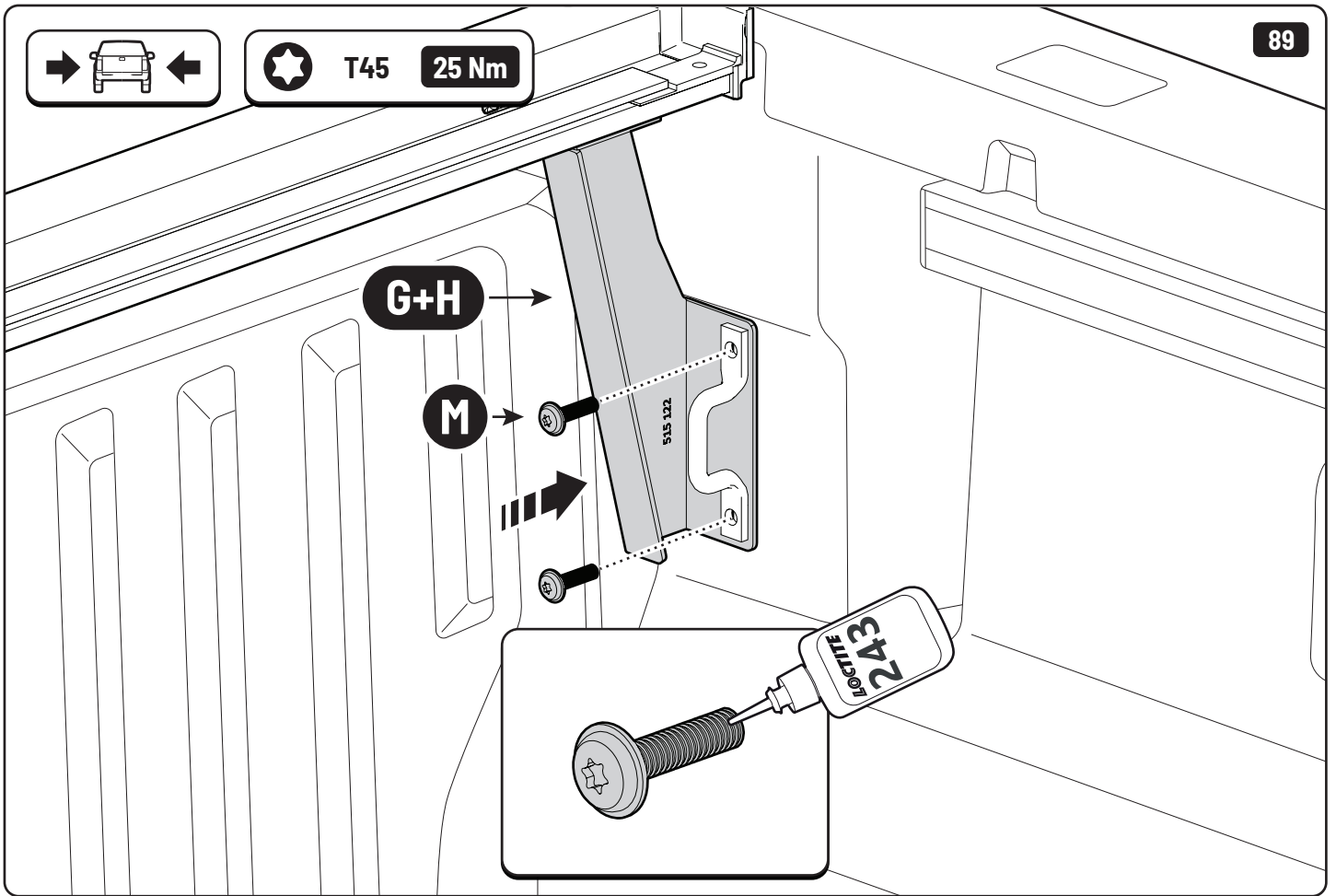


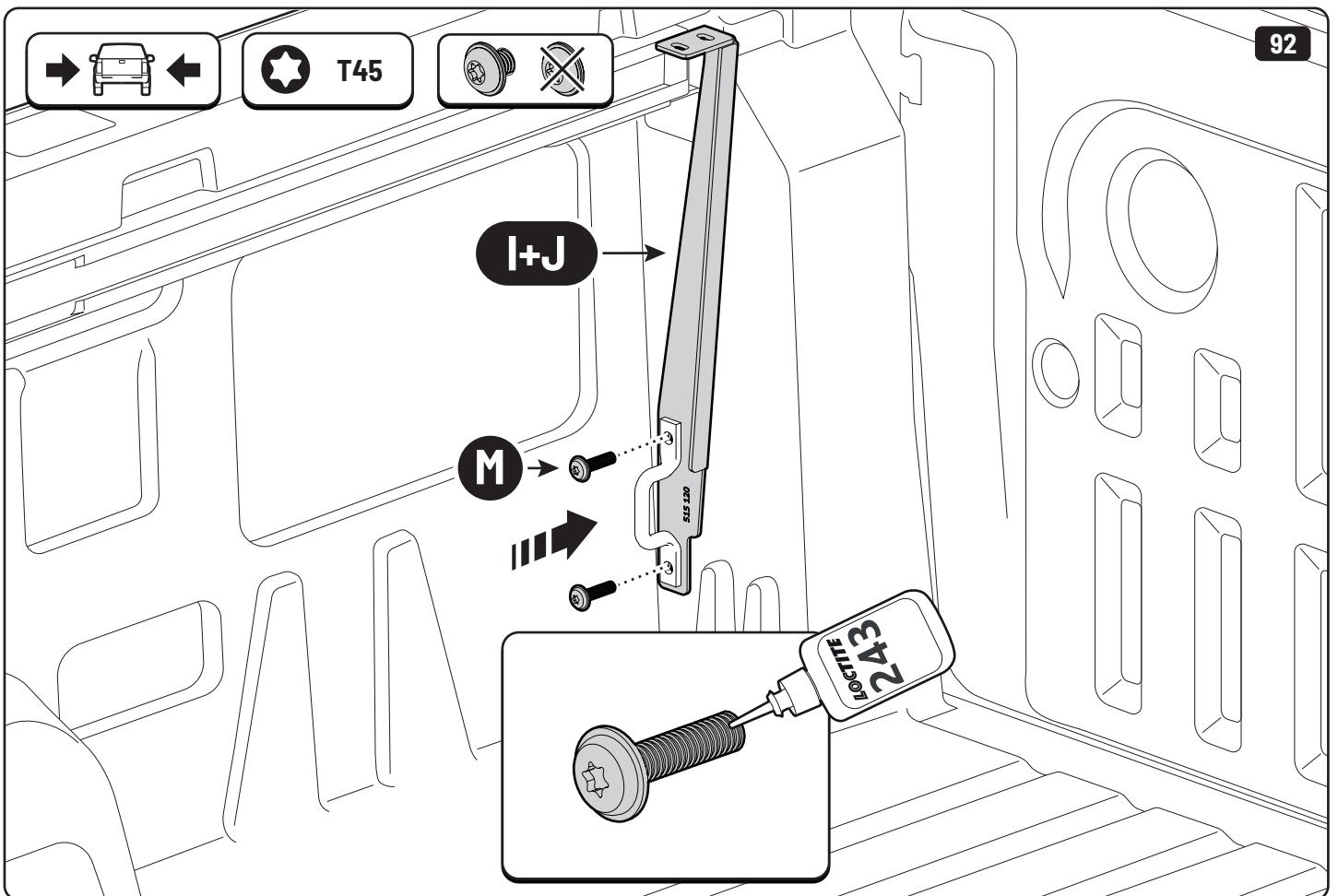
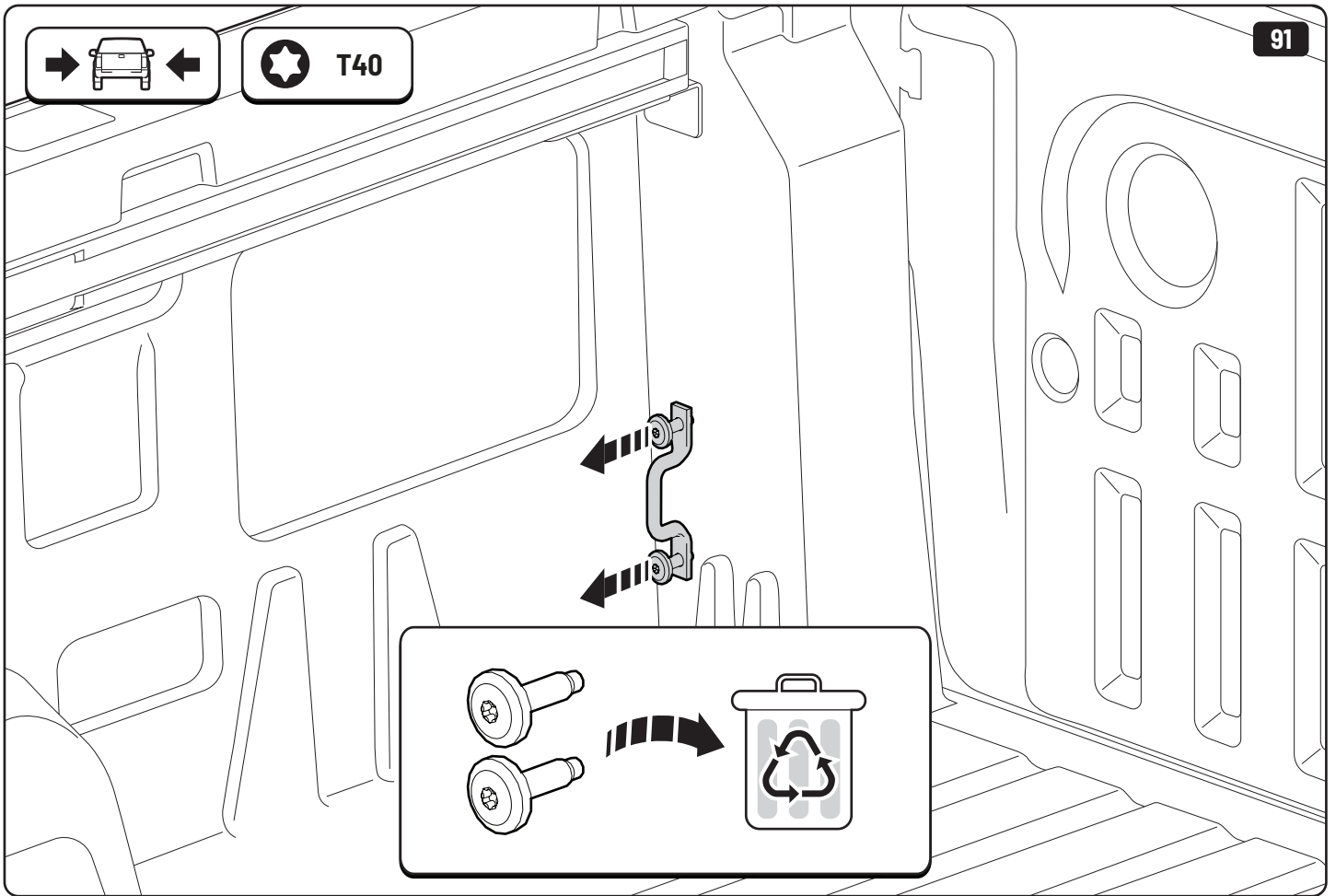


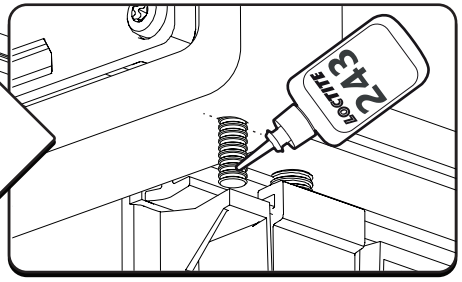
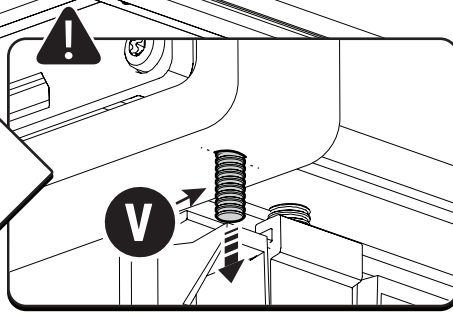
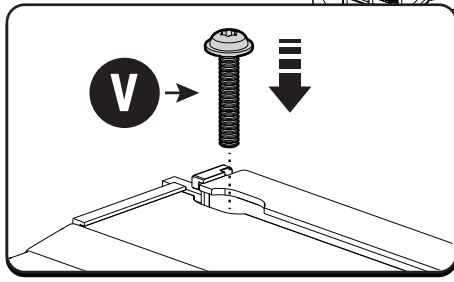
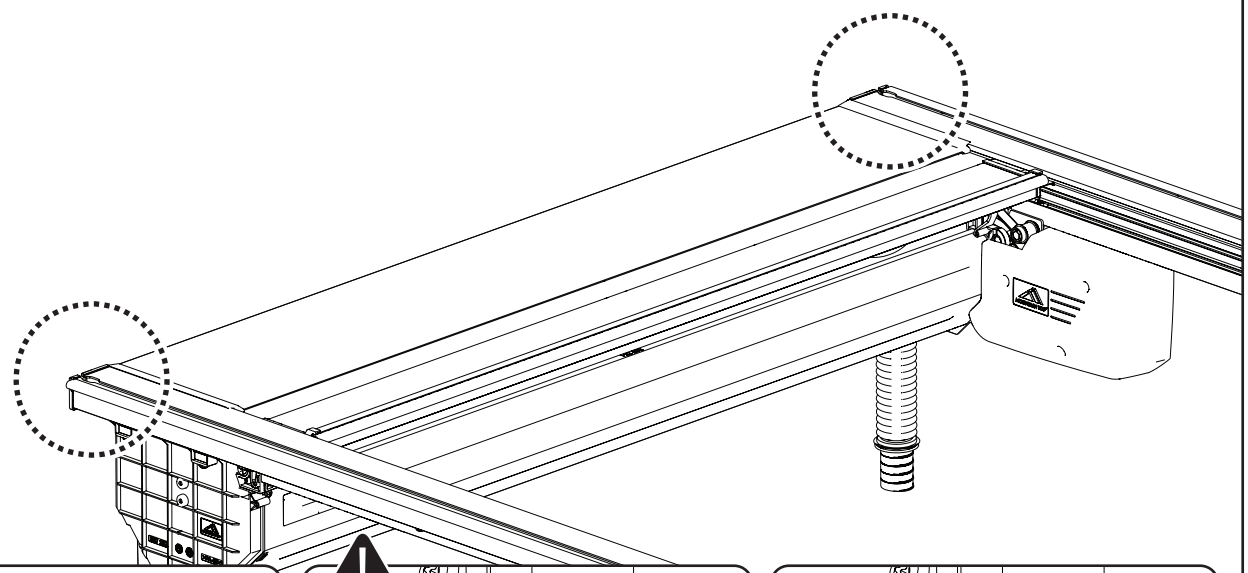
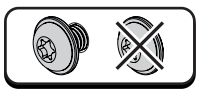
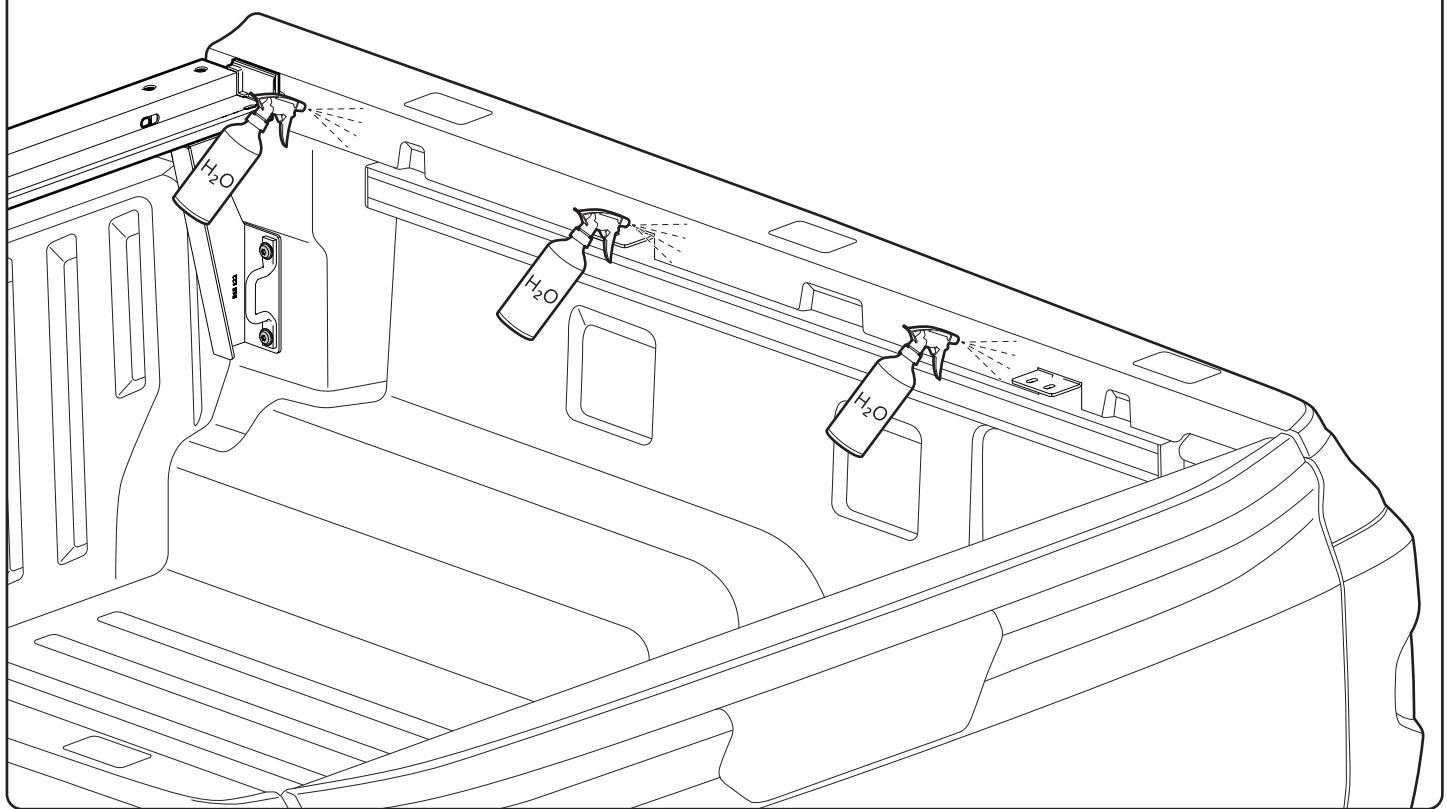






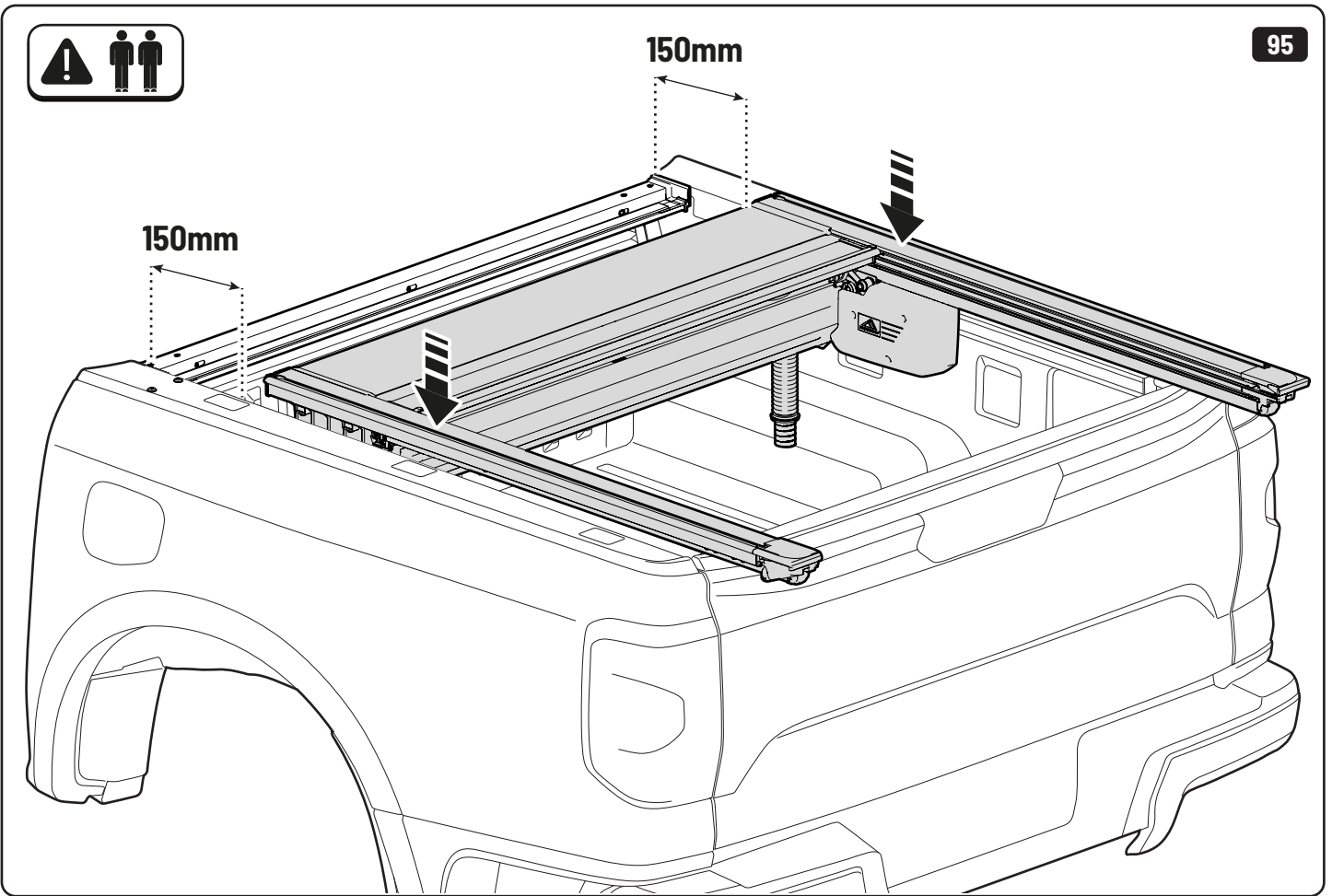




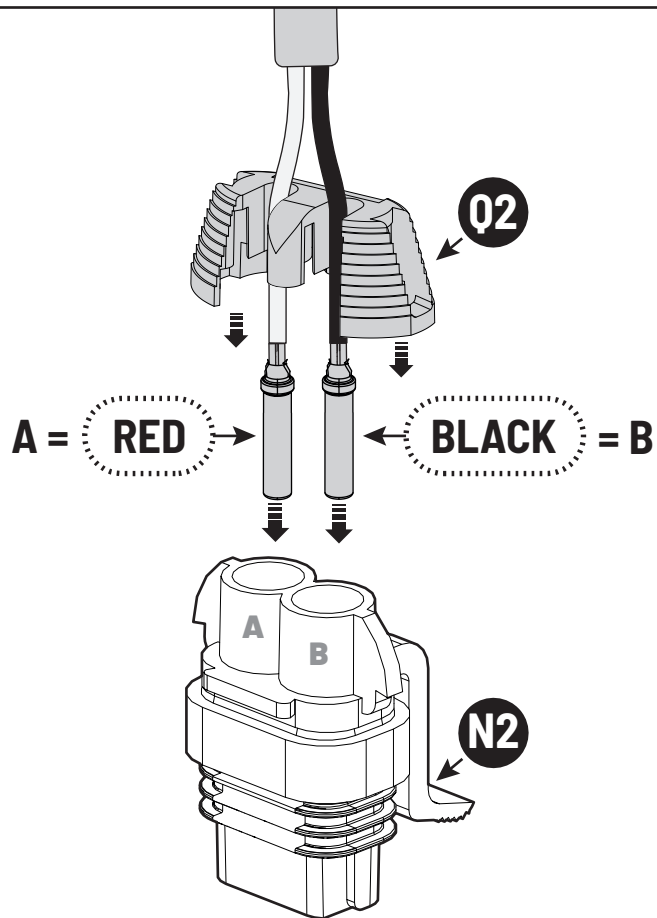


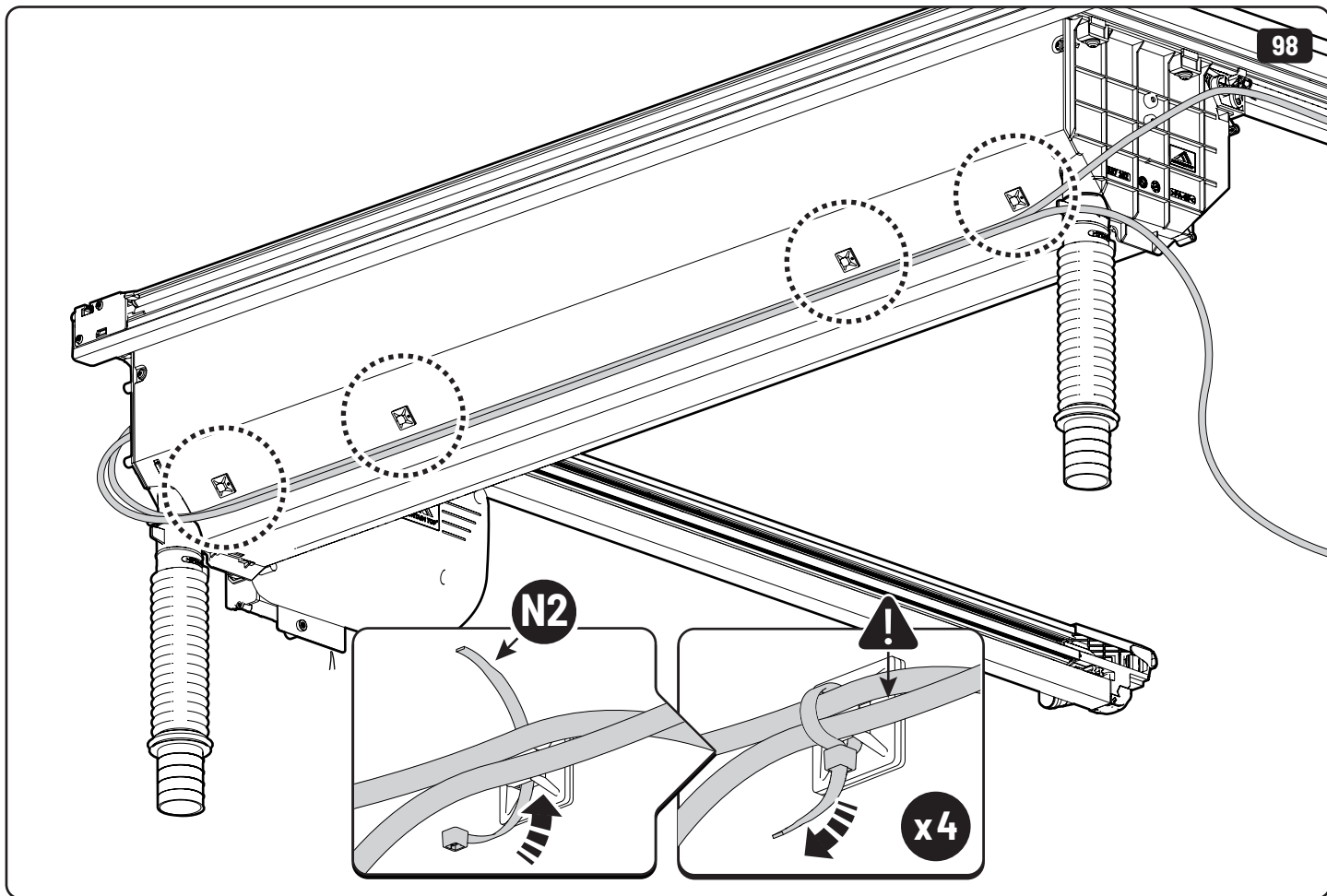
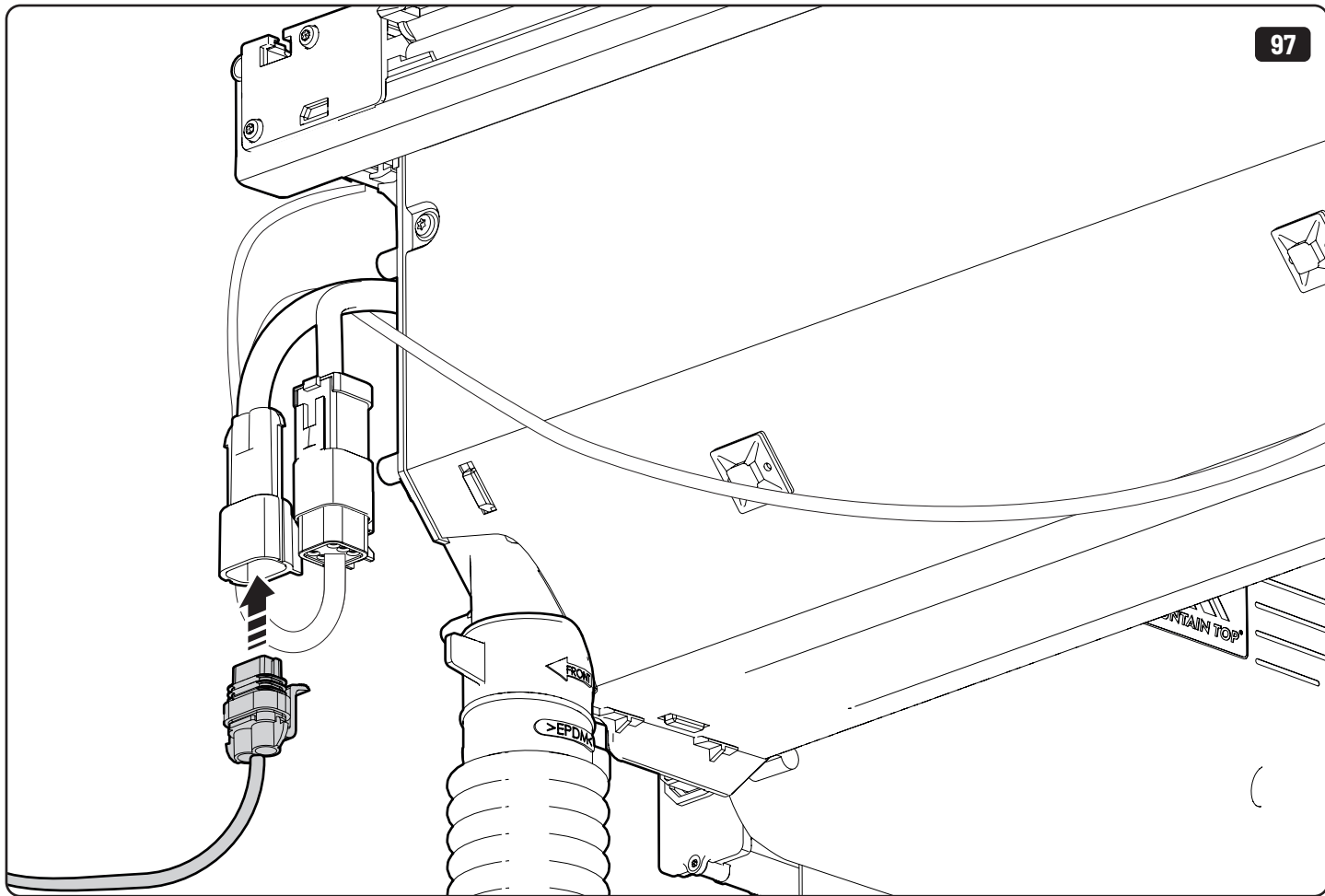


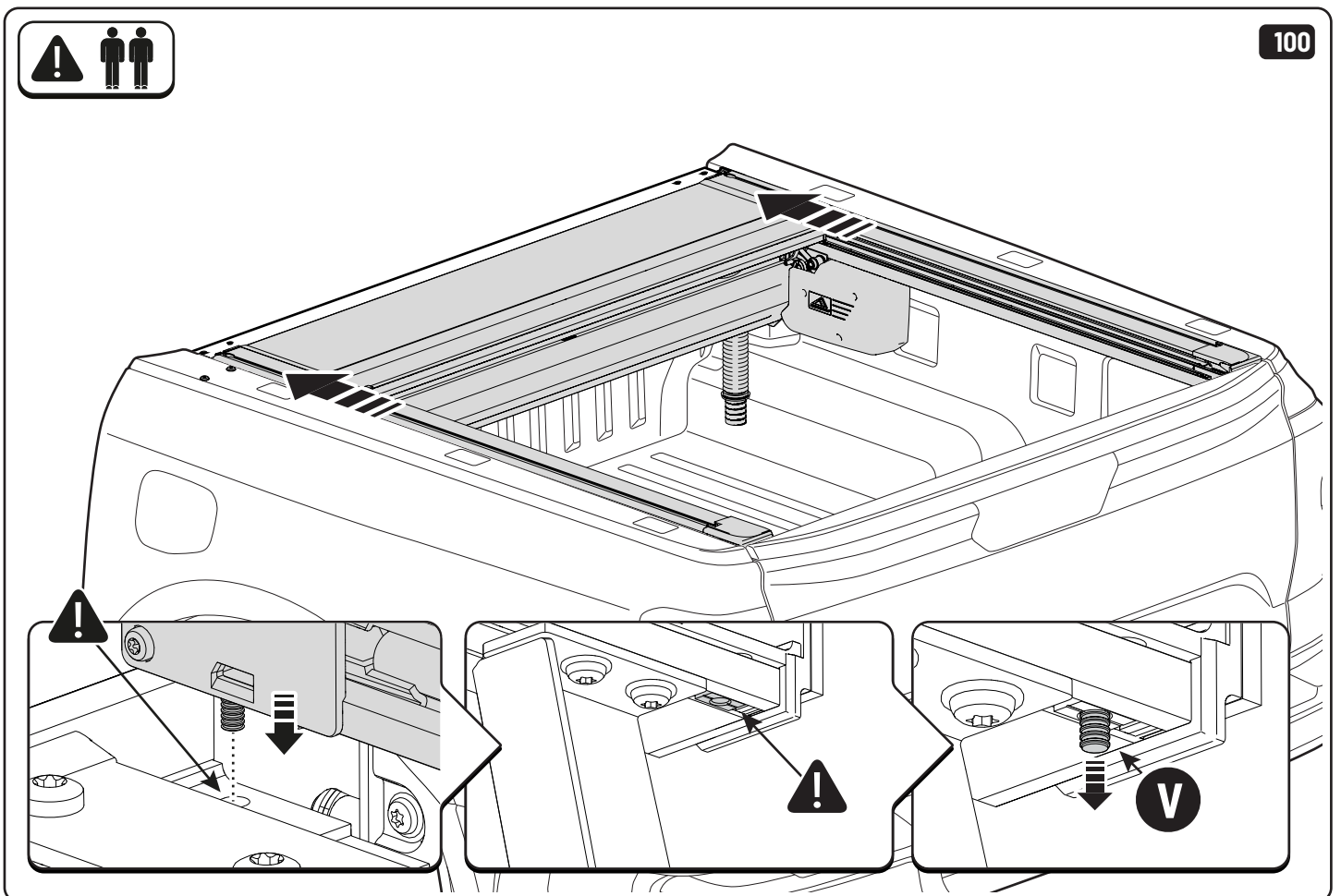
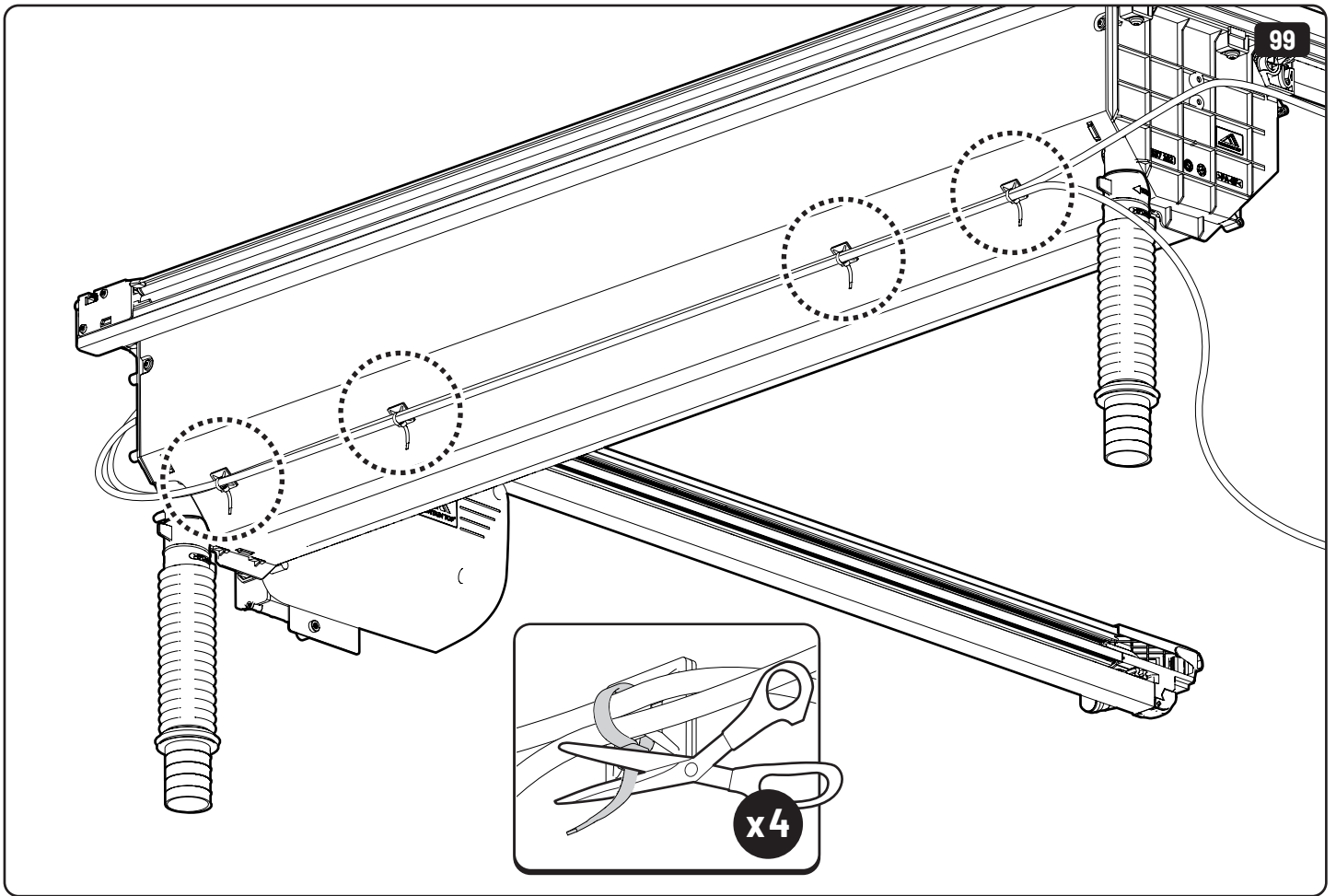
95

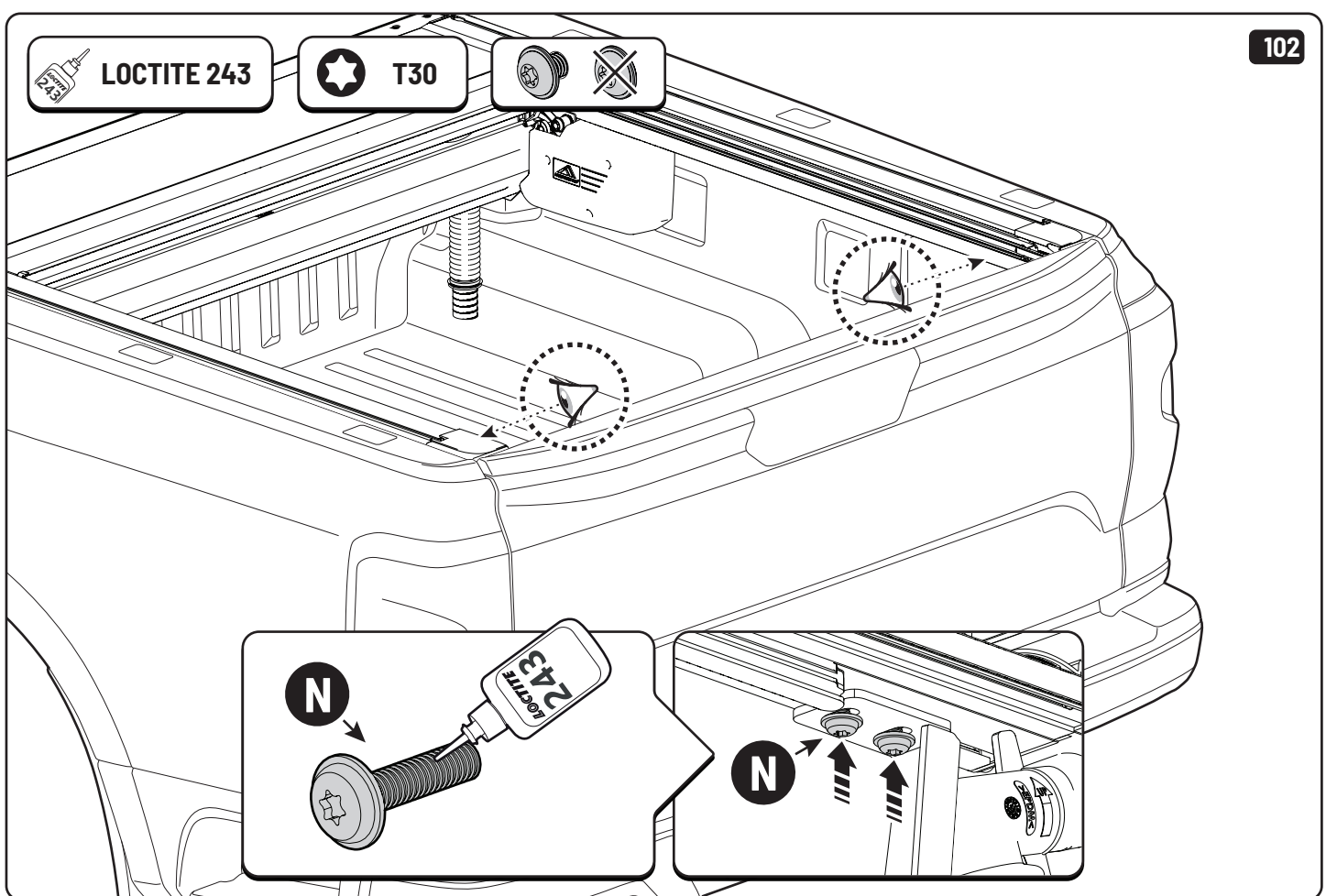
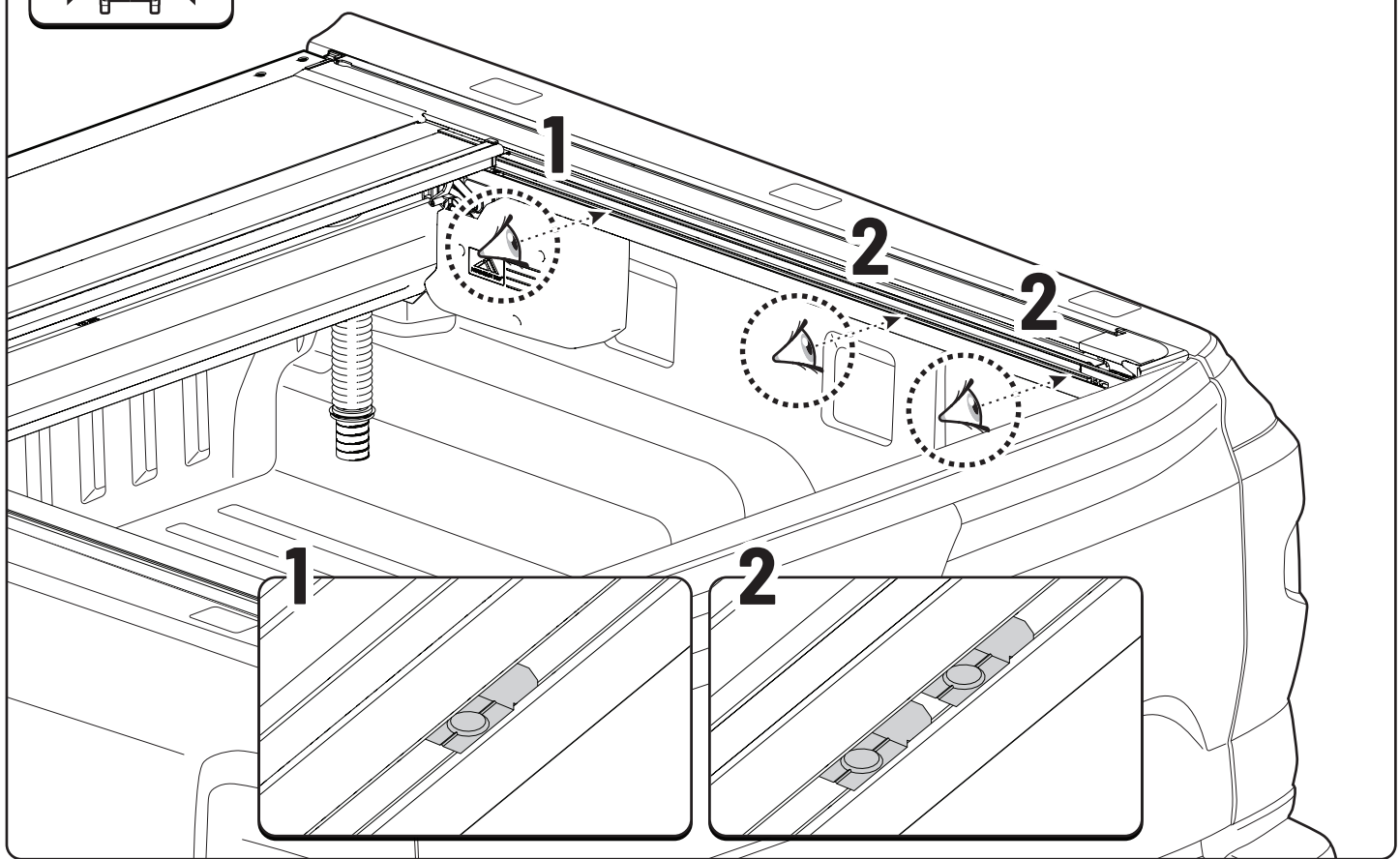
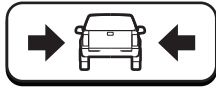


96



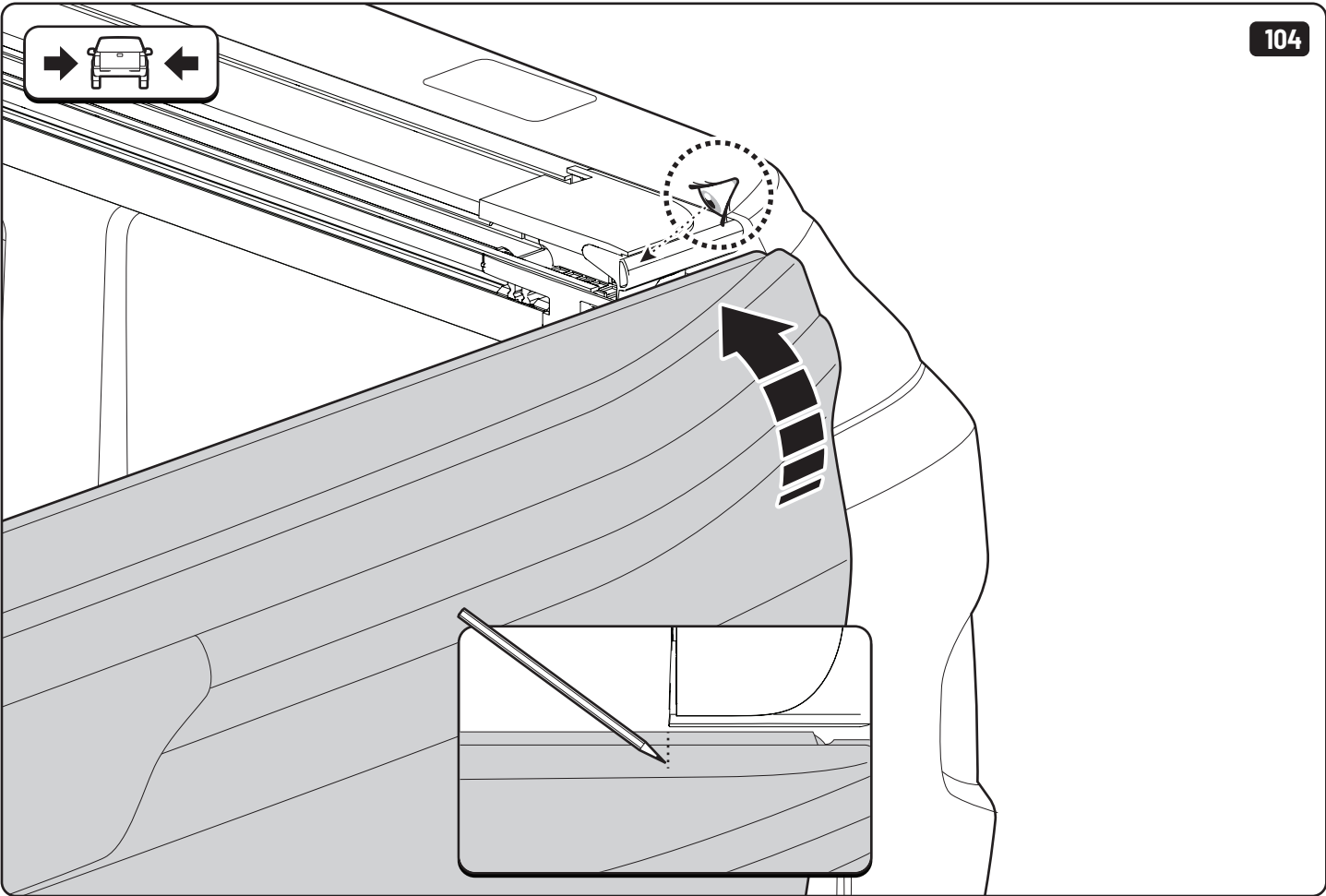
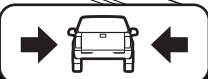
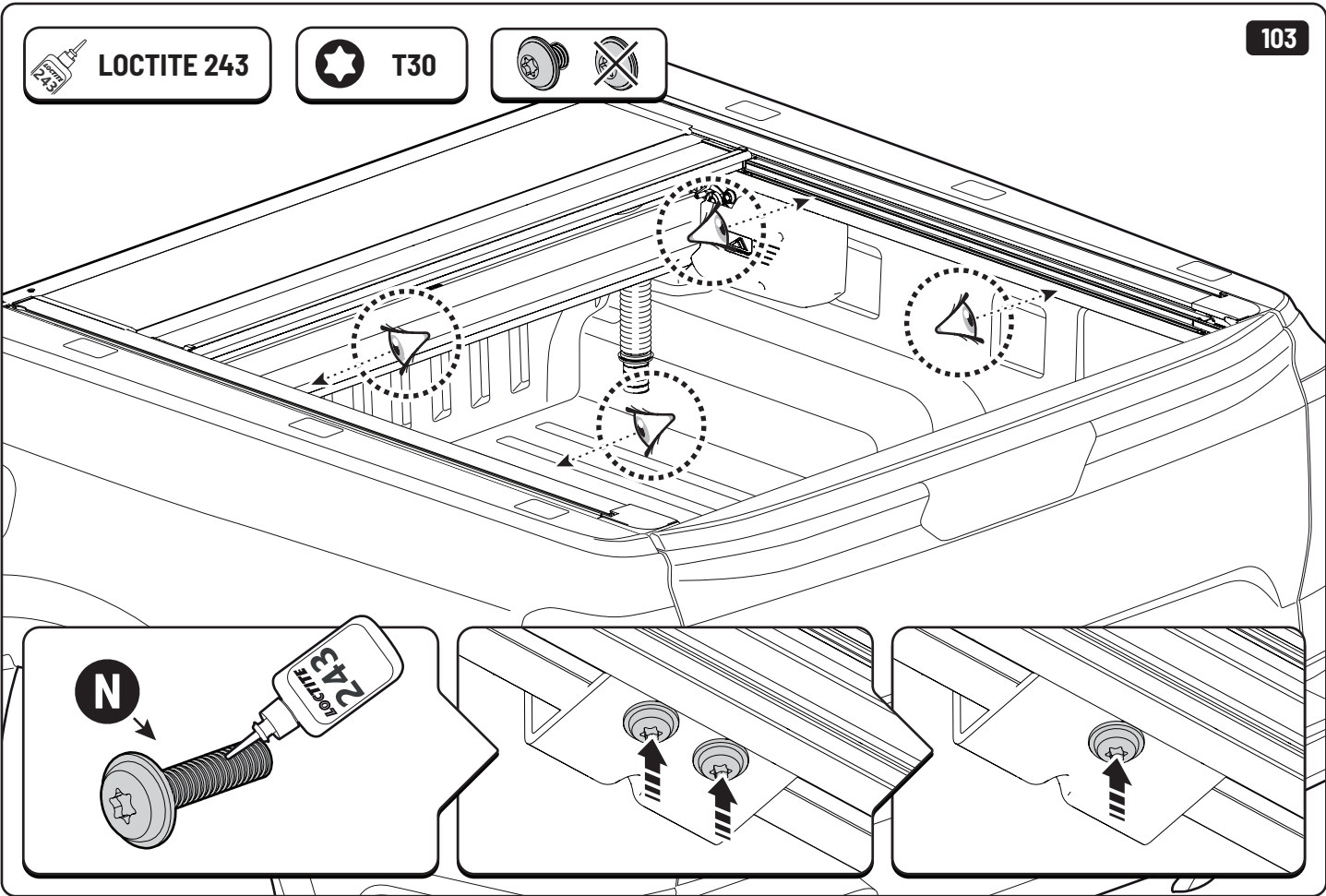






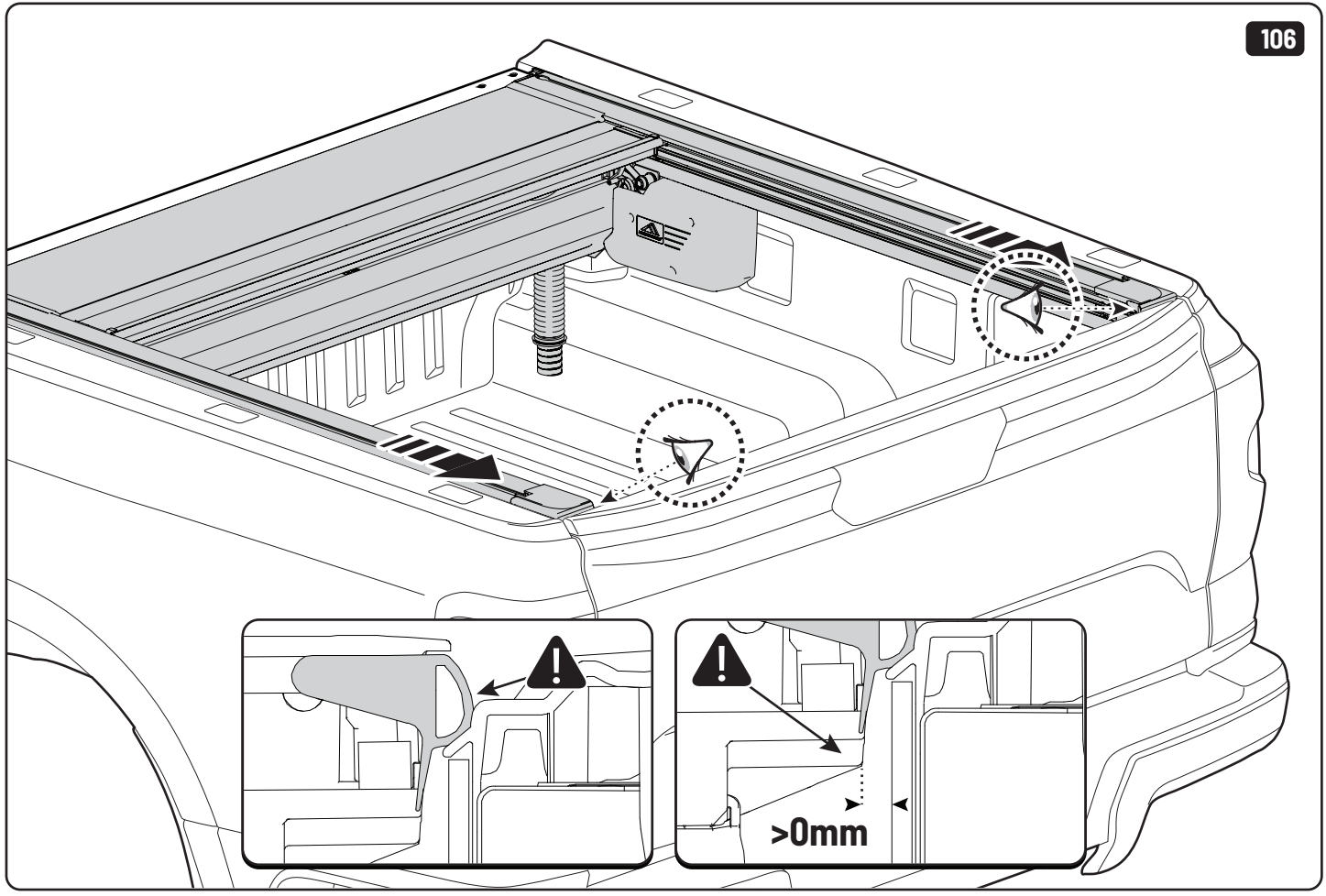
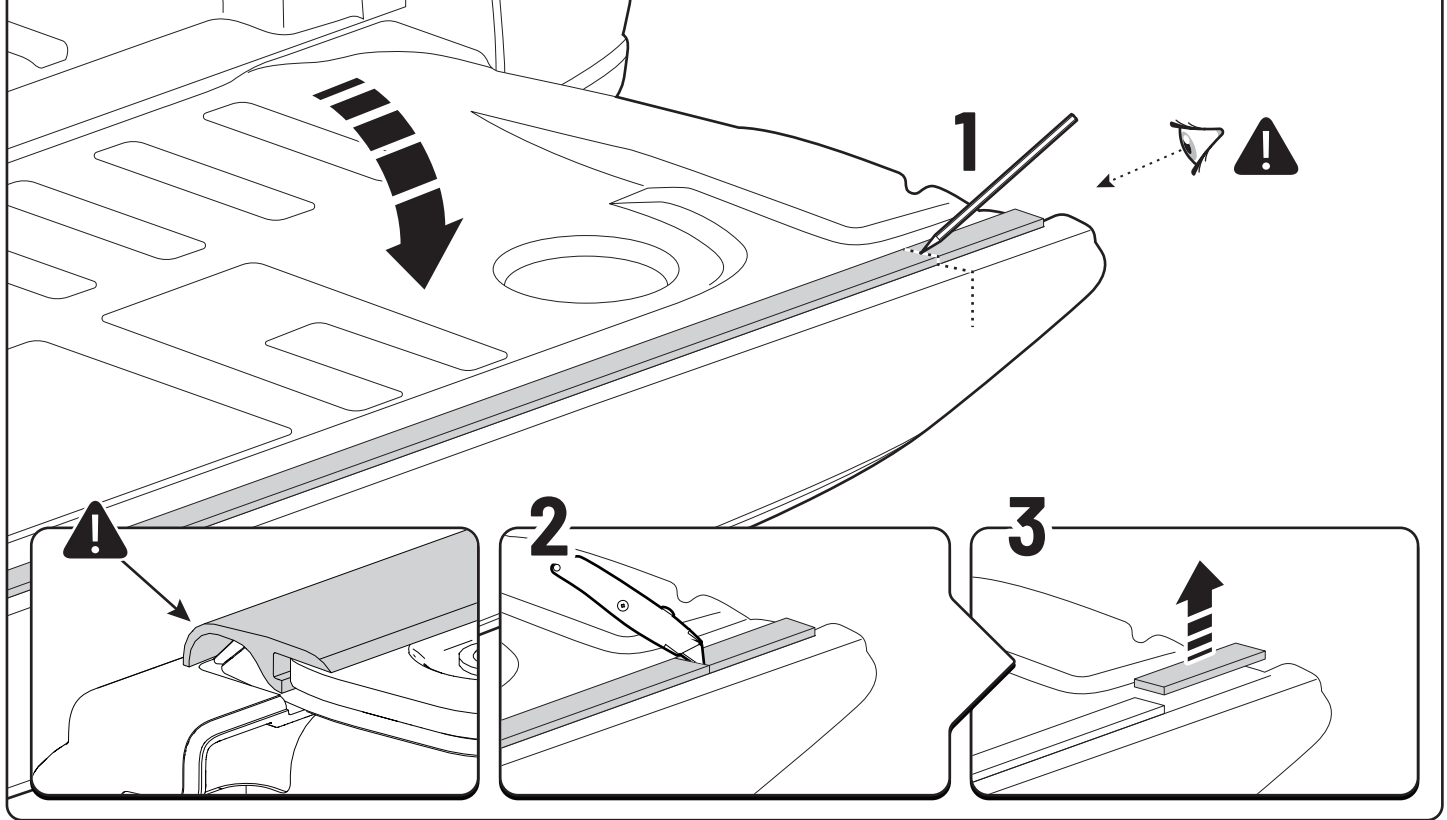
LOCTITE 243

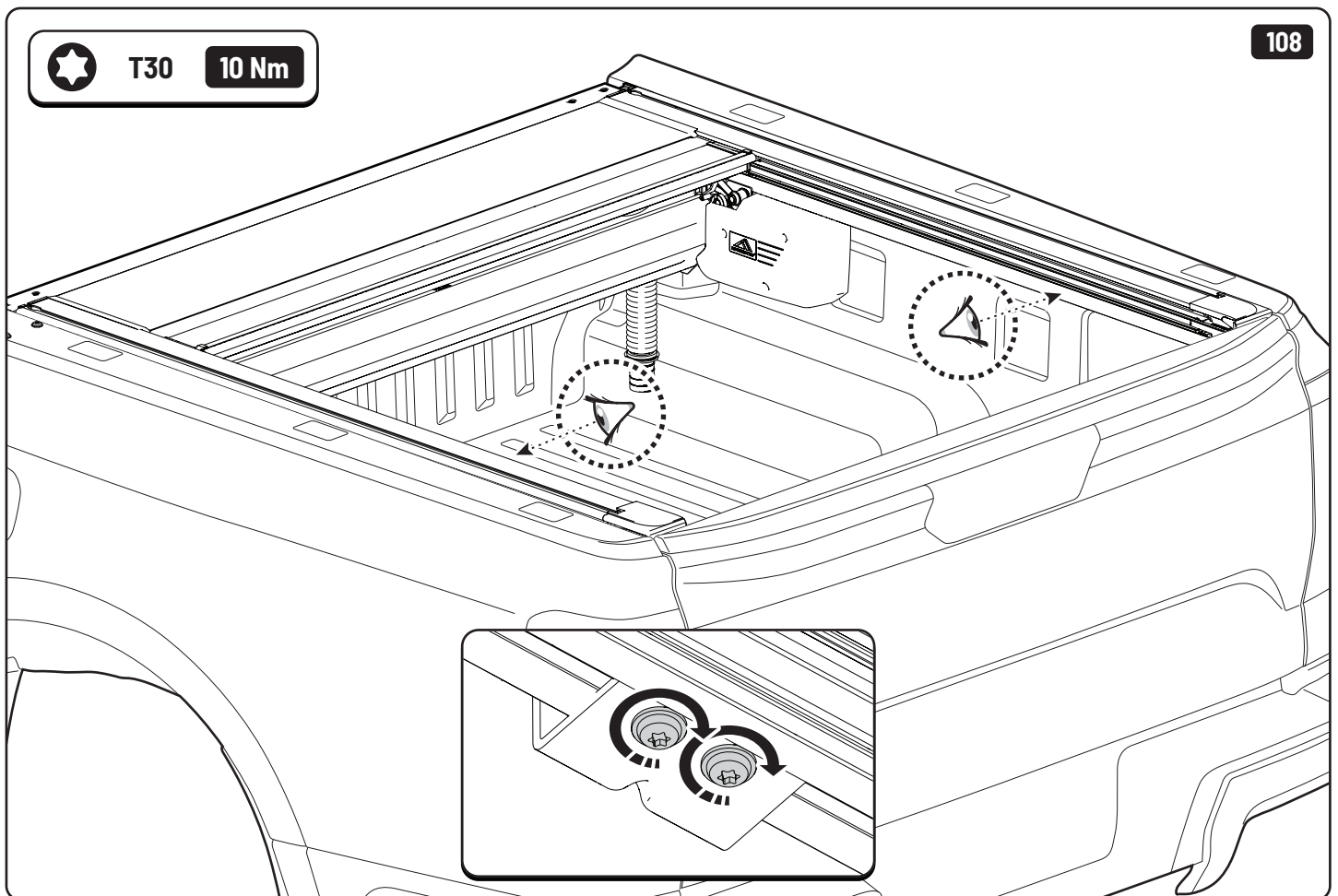
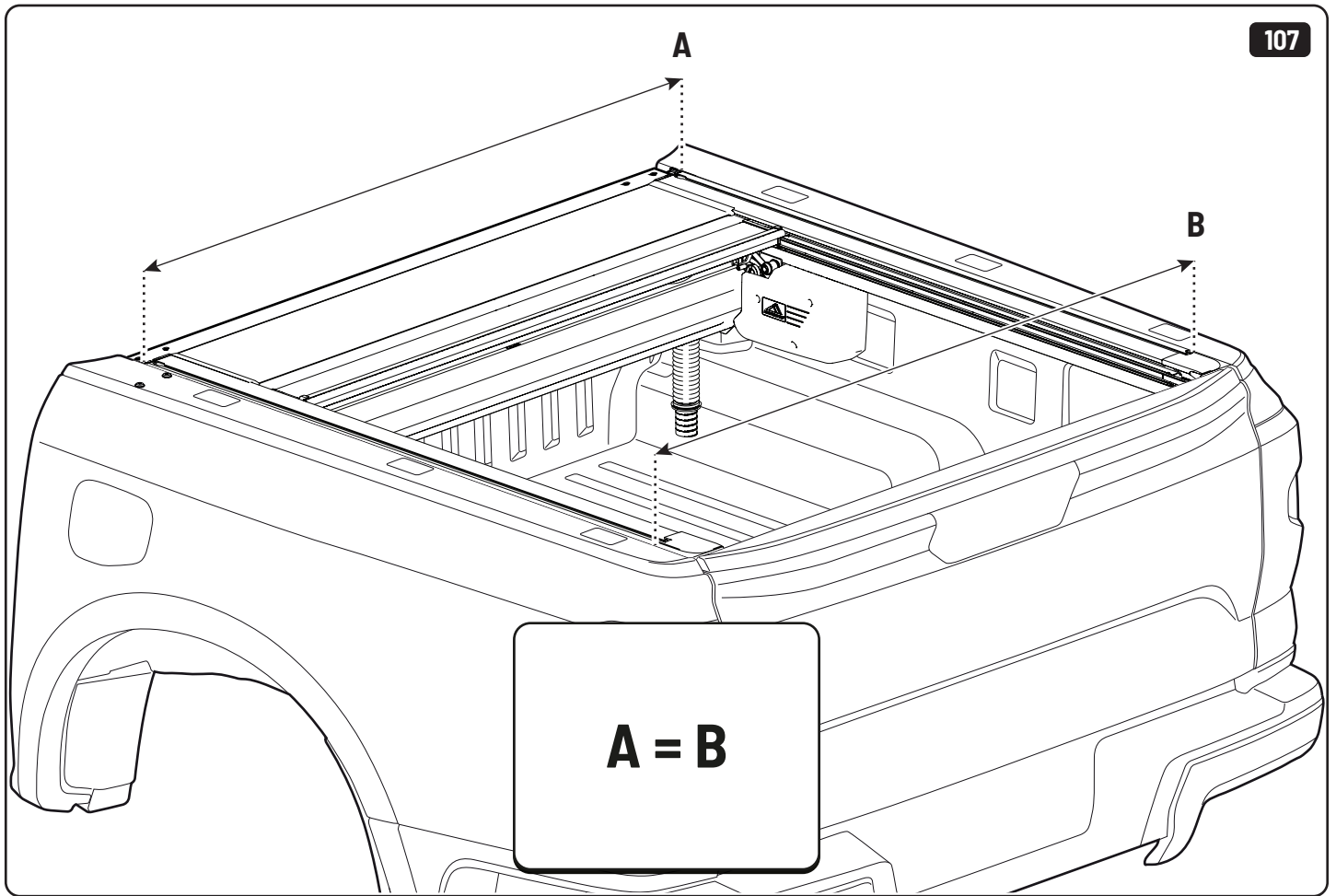
T30

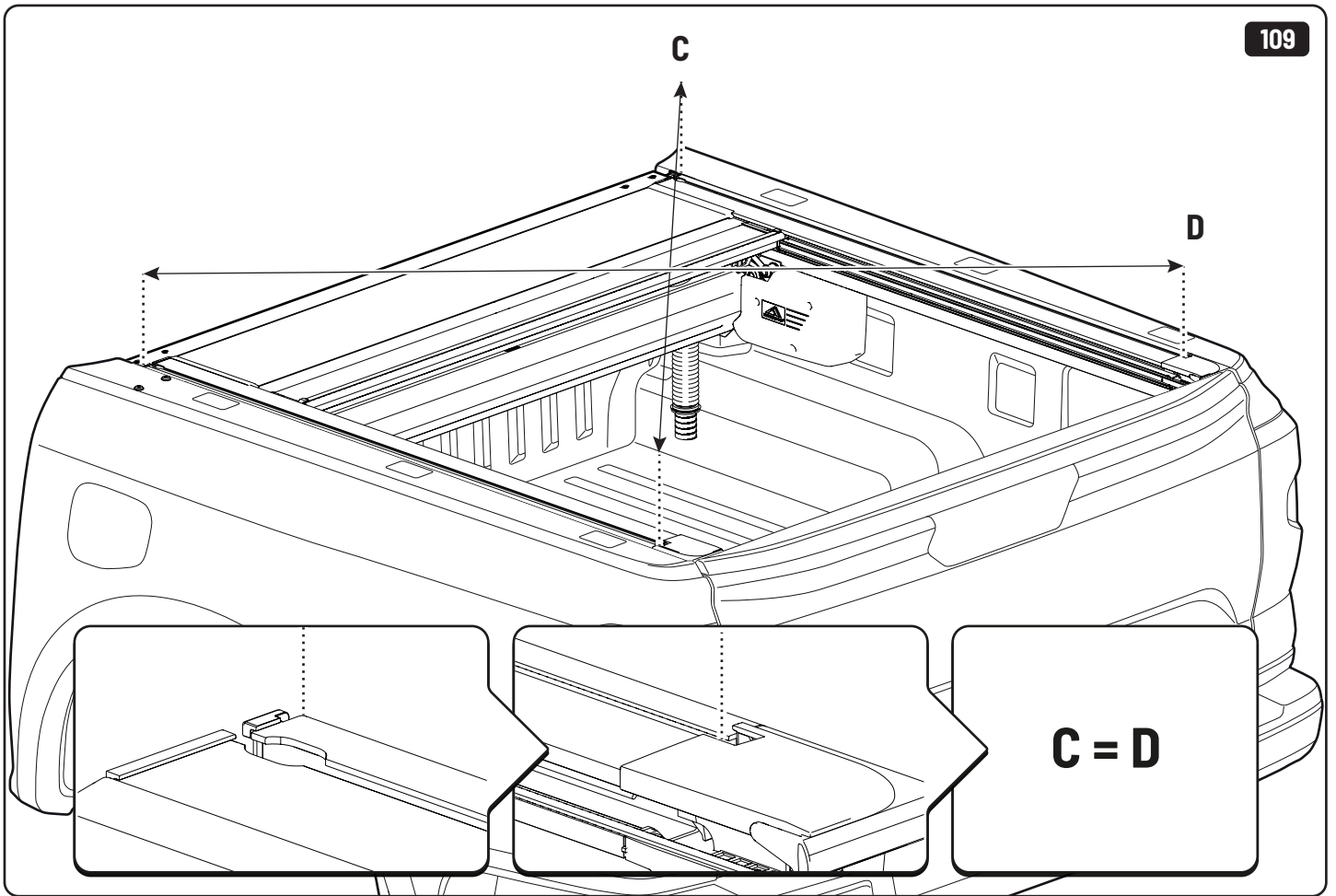




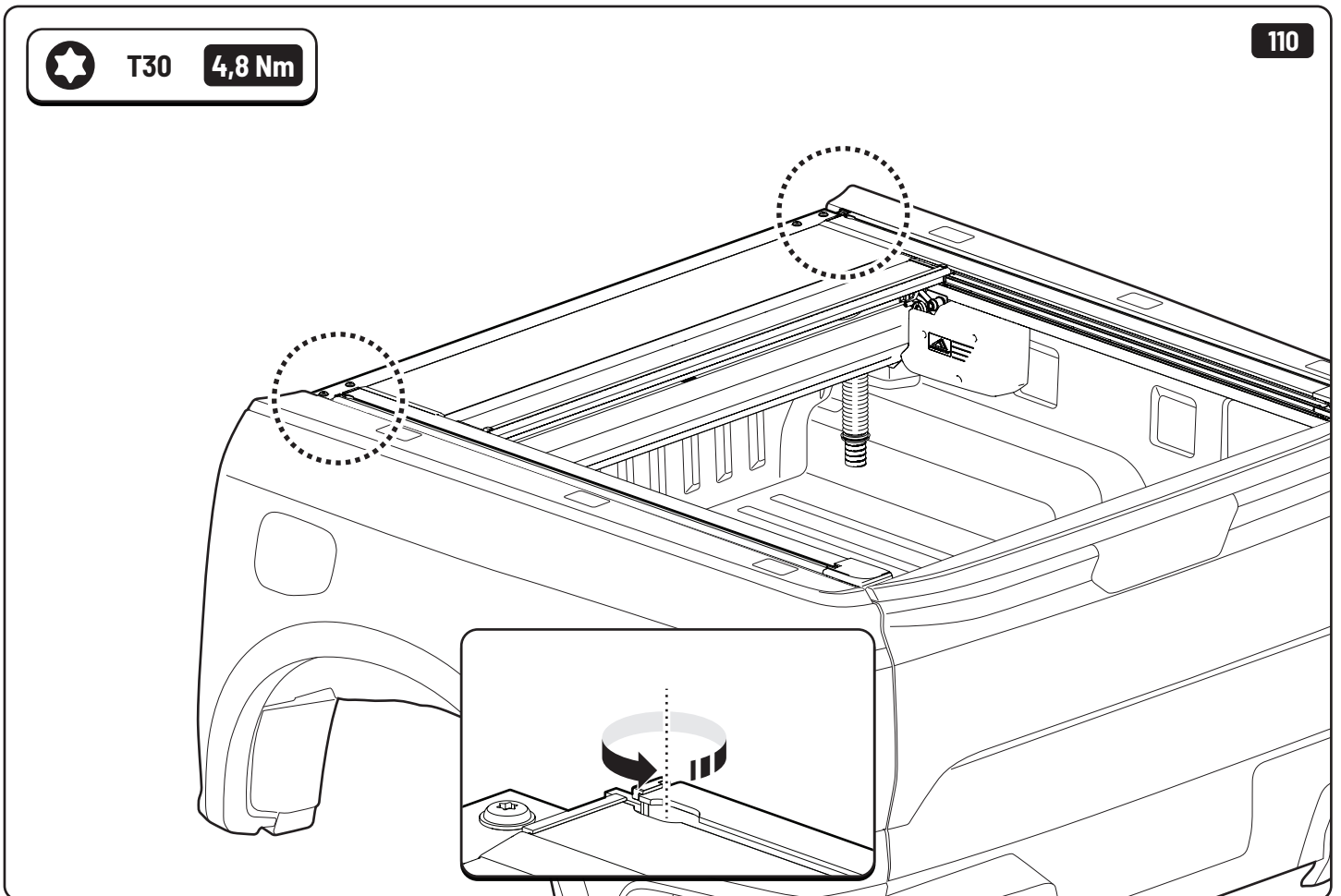
! IF THIS SEAL EXISTS

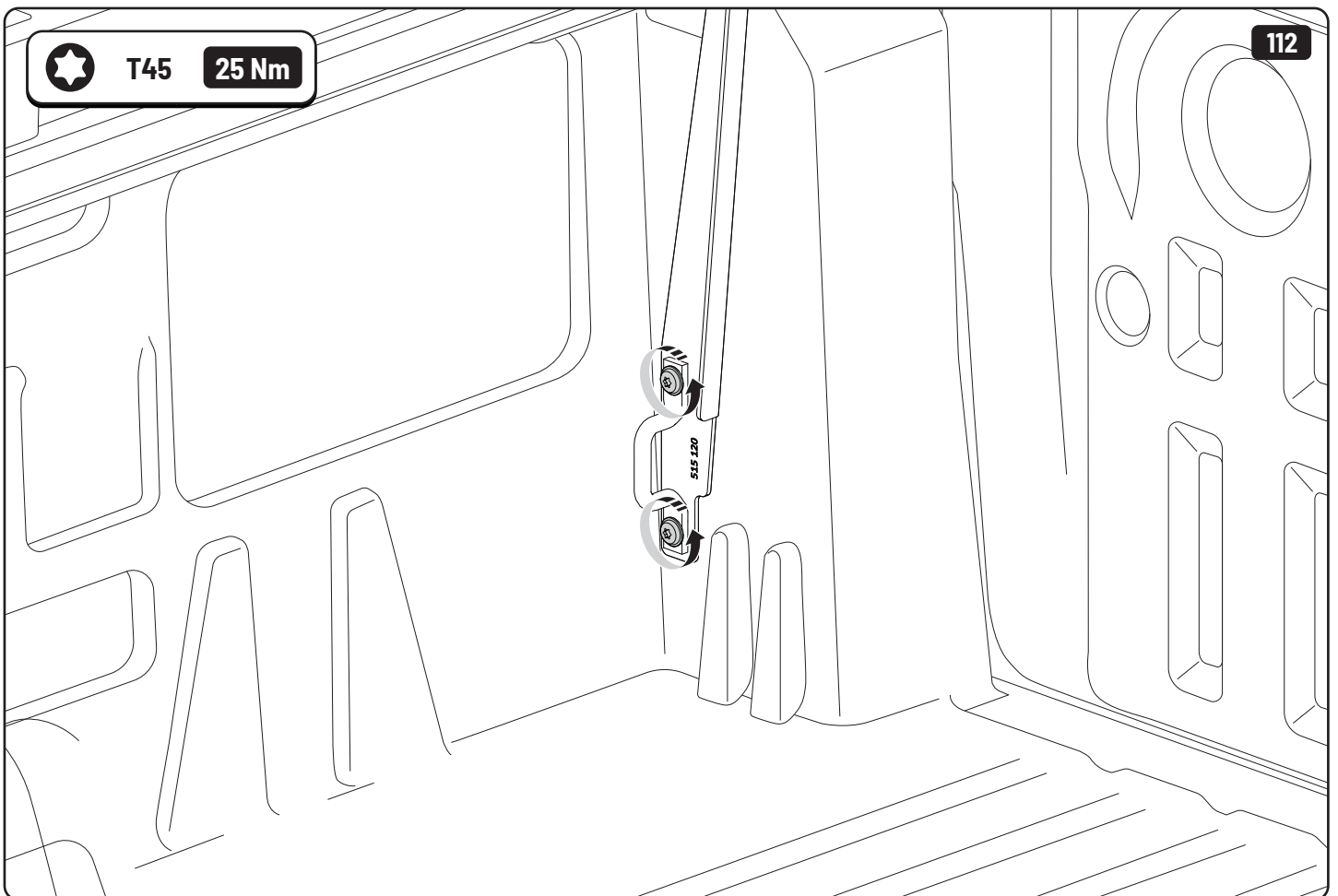
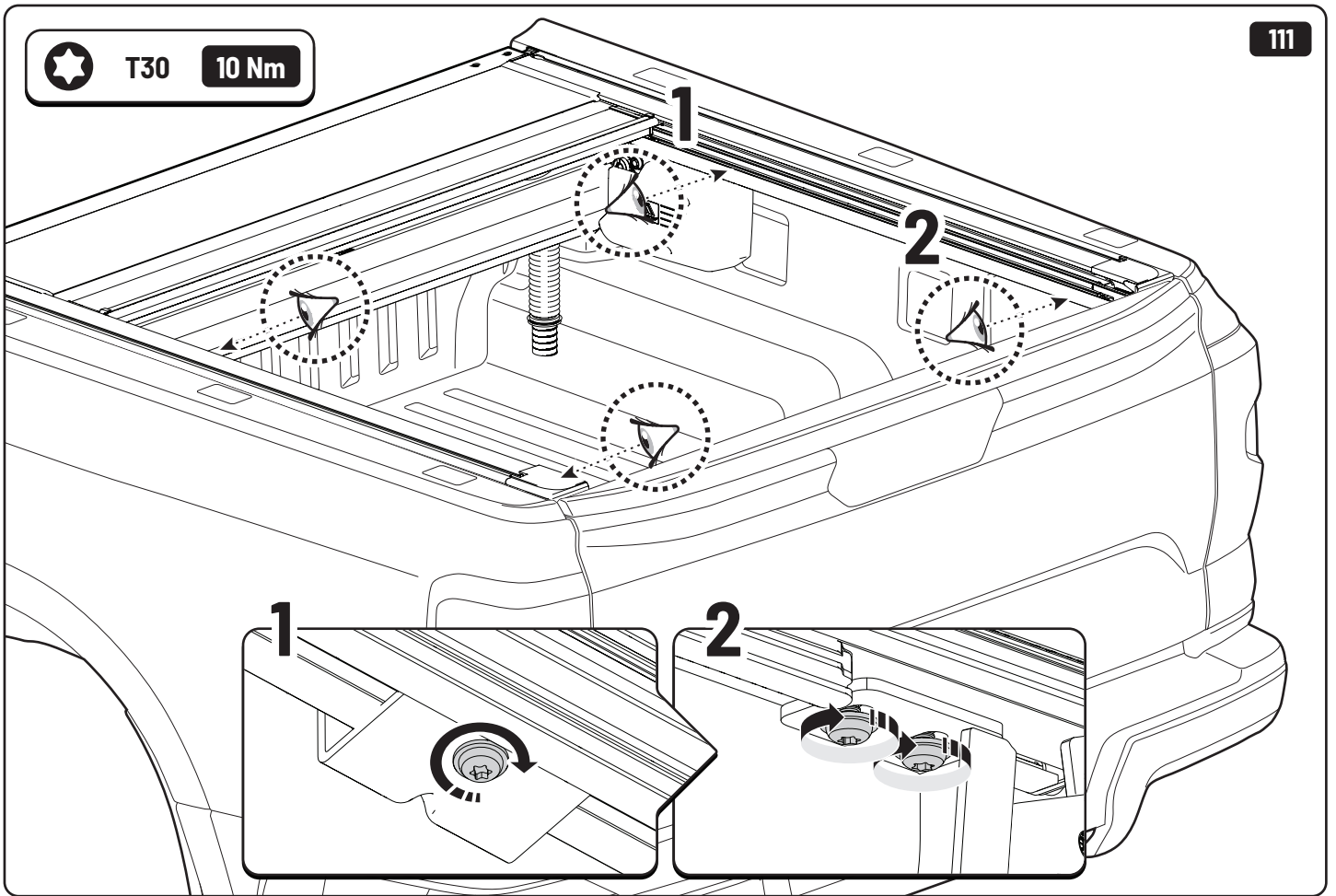


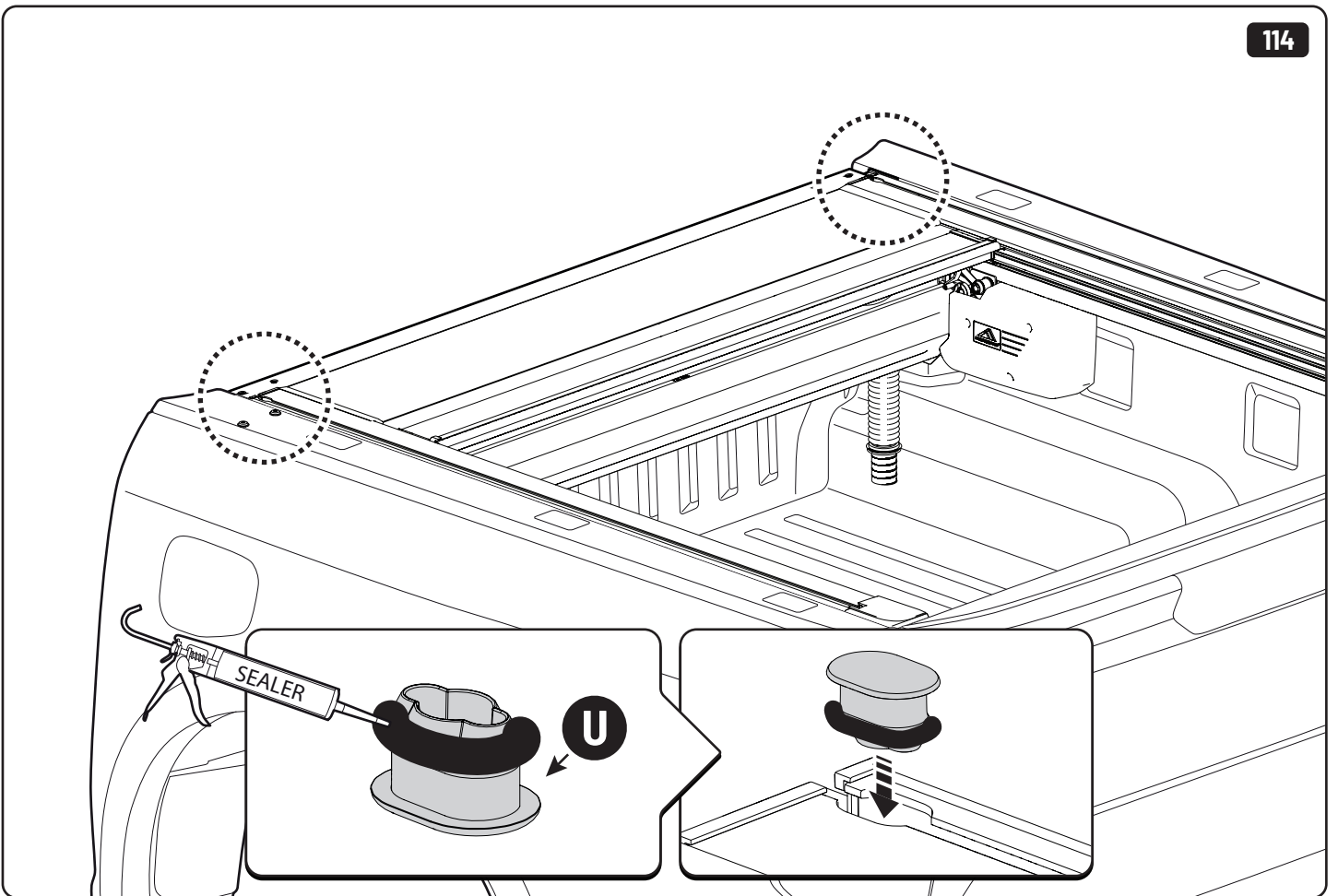
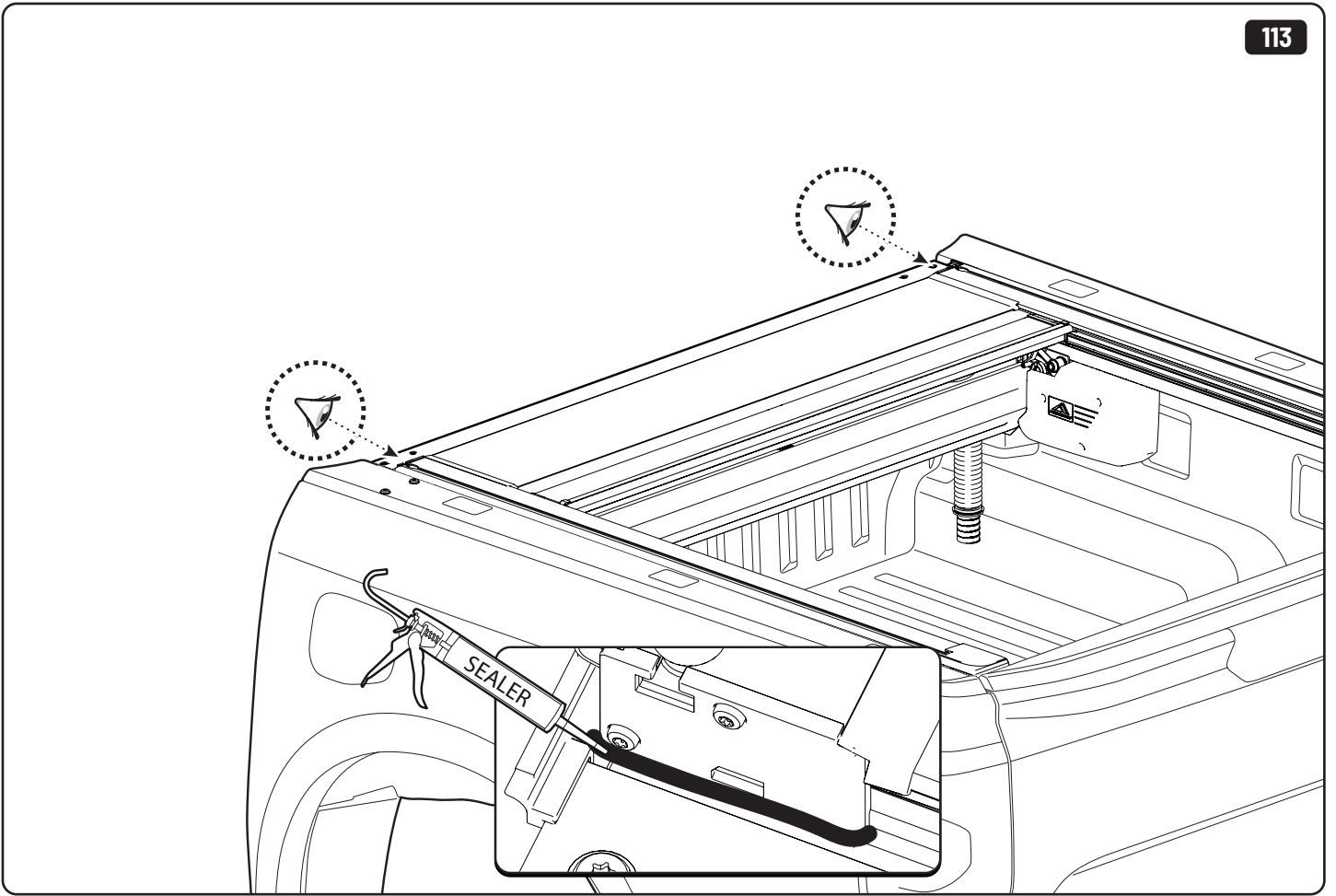


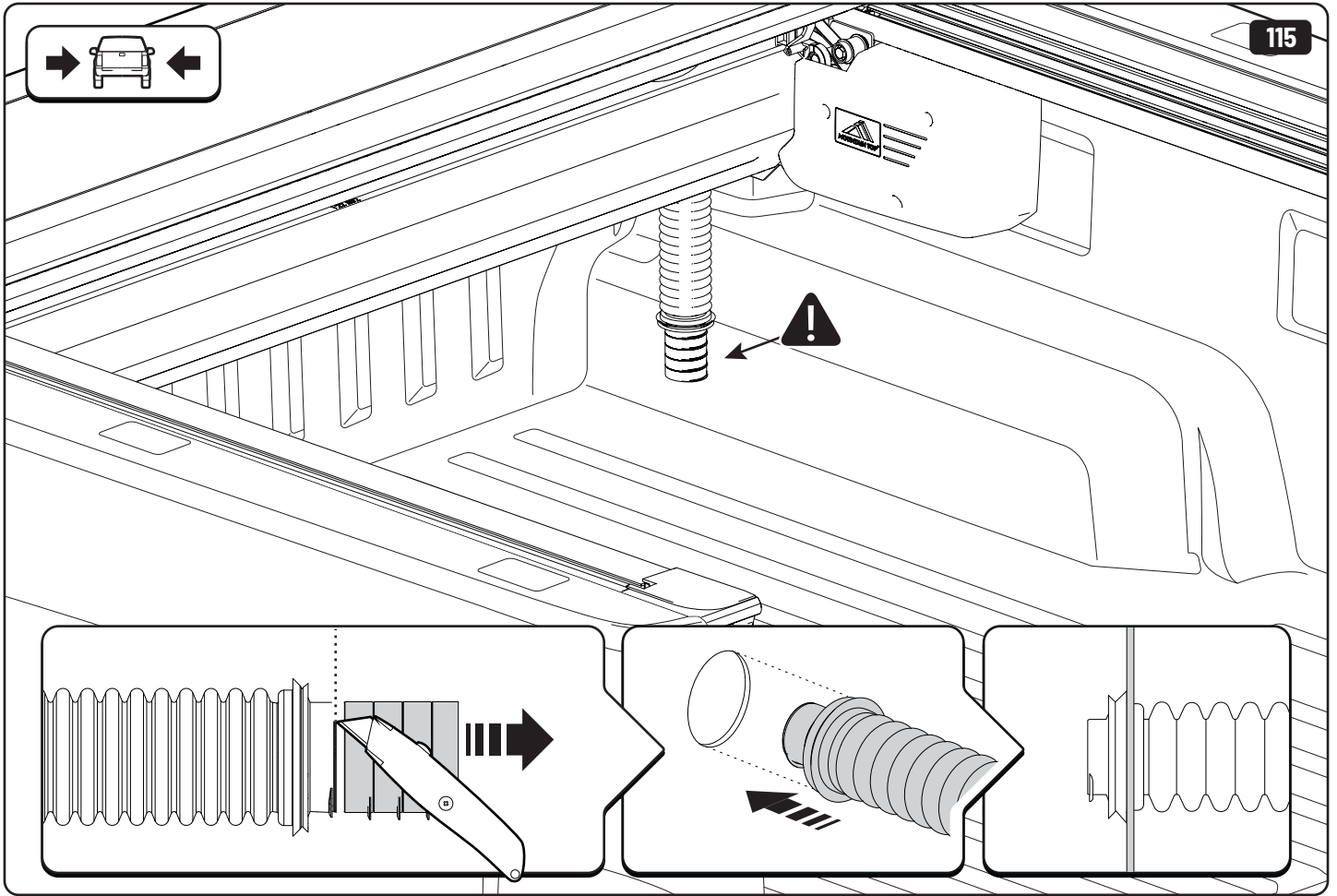


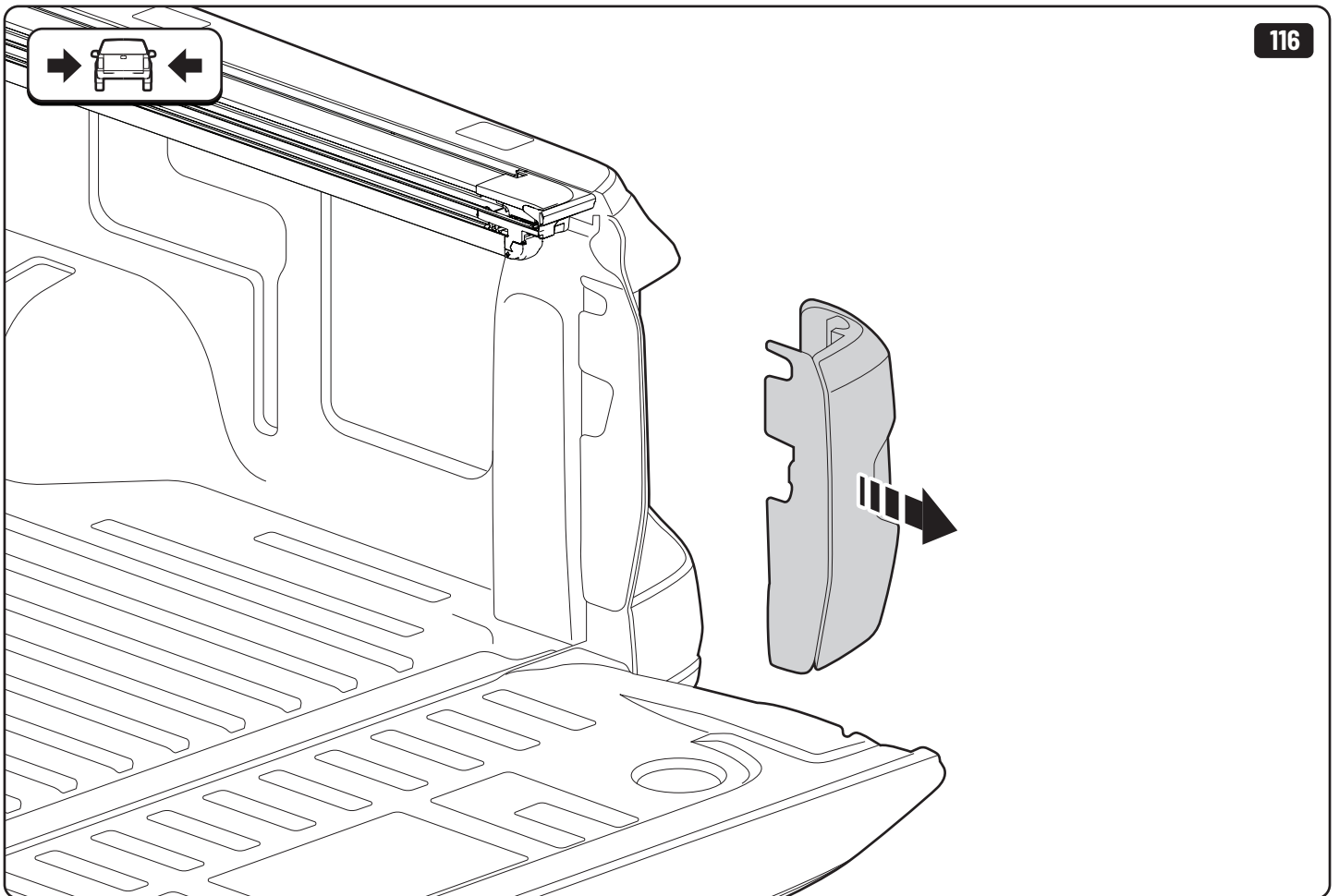
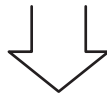
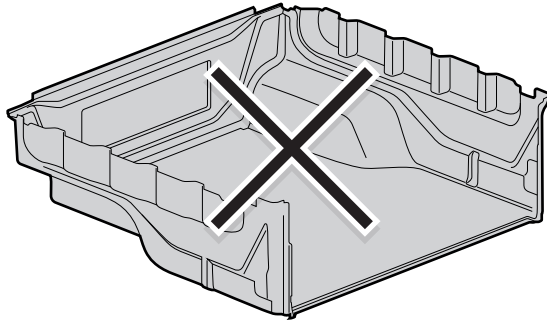
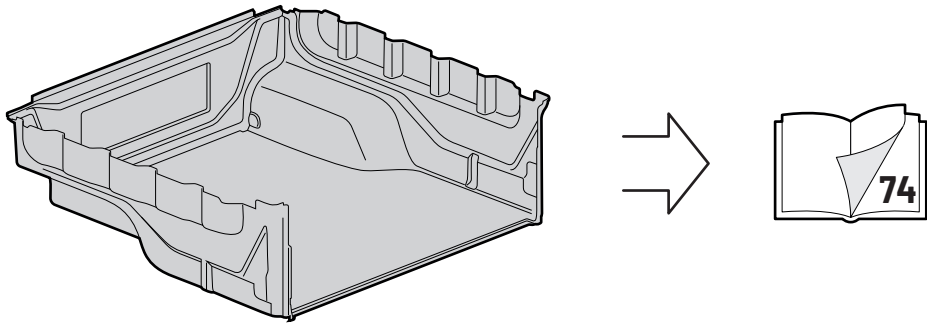
 T30 4,8 Nm

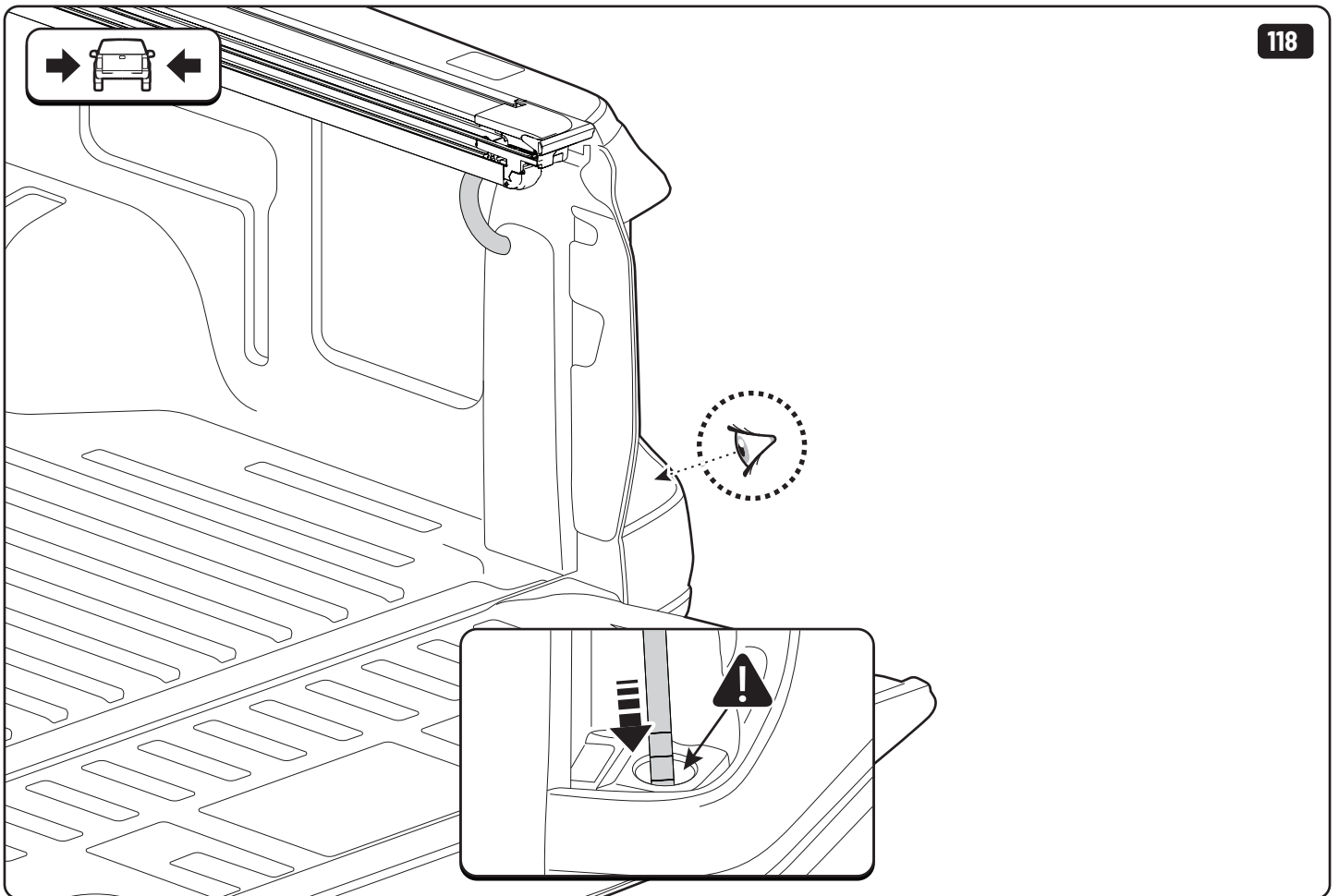
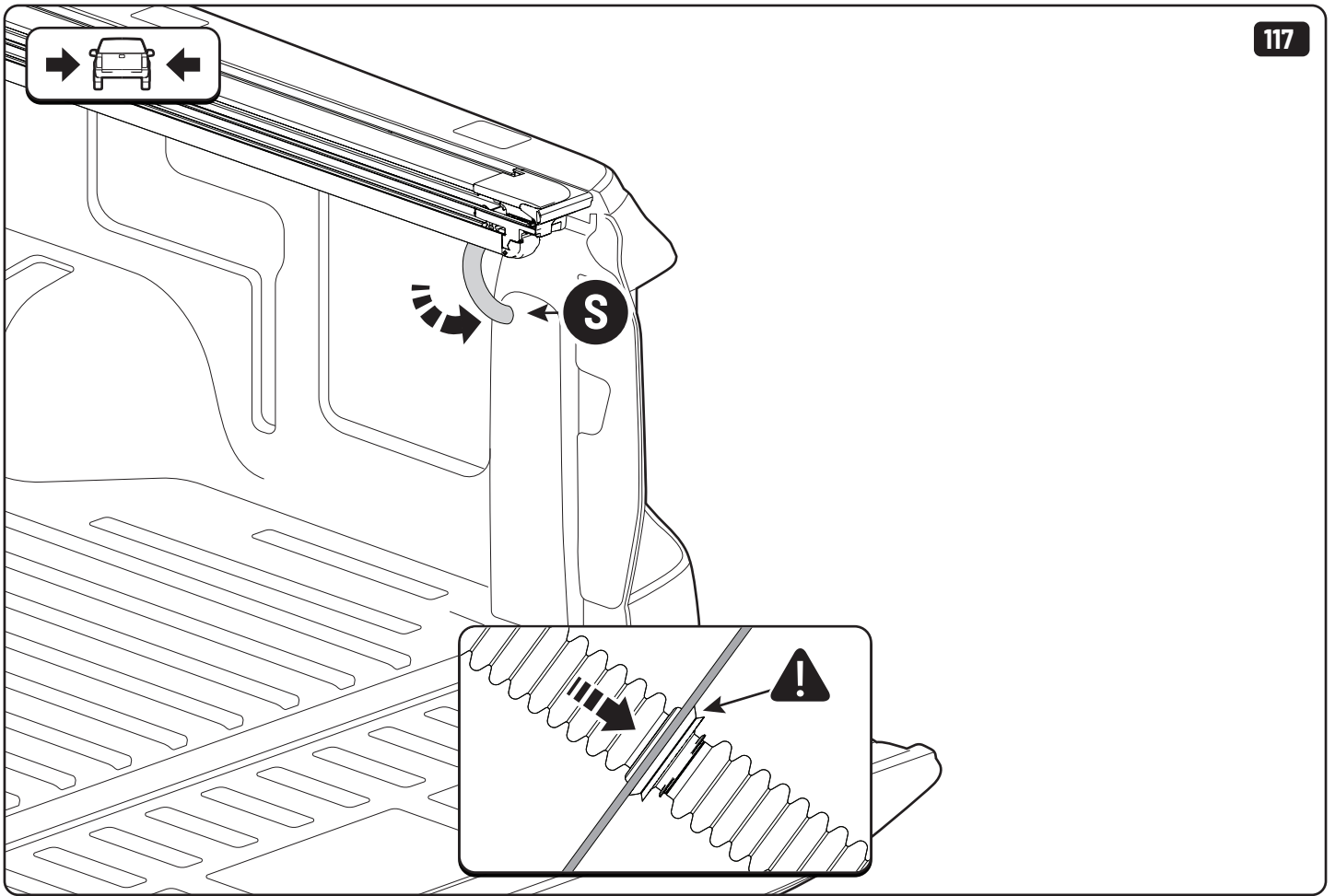


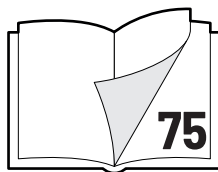
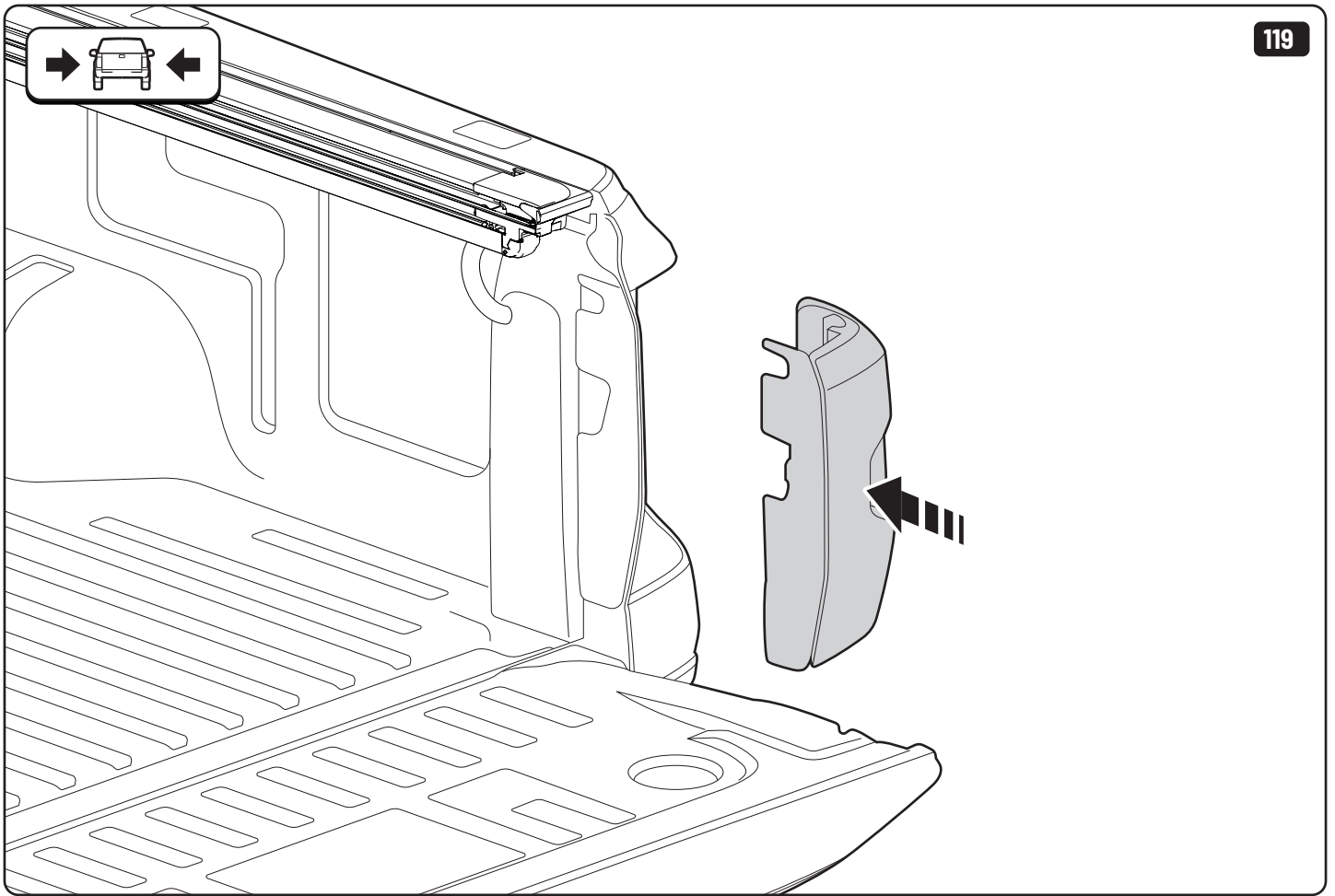


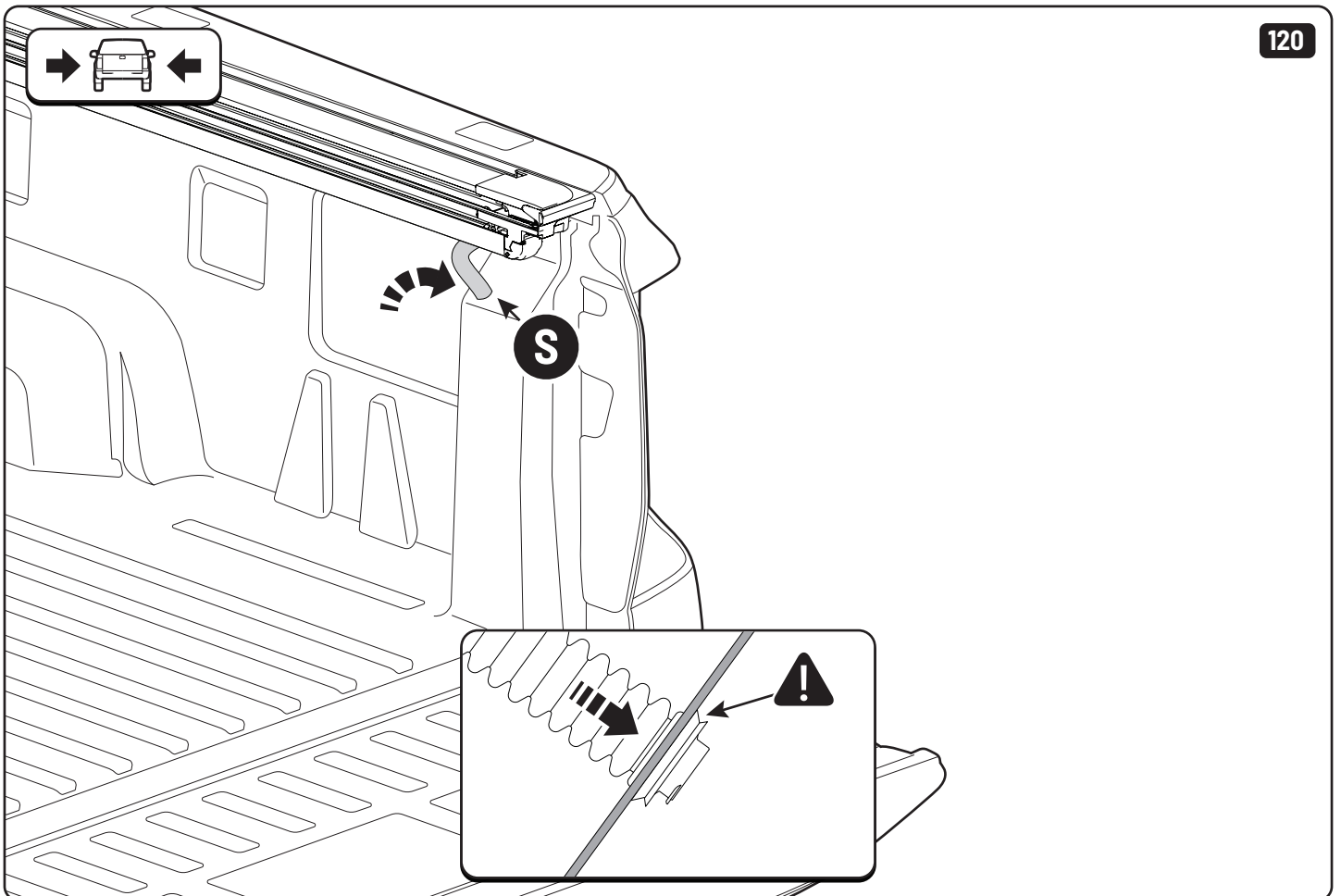
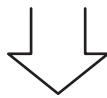
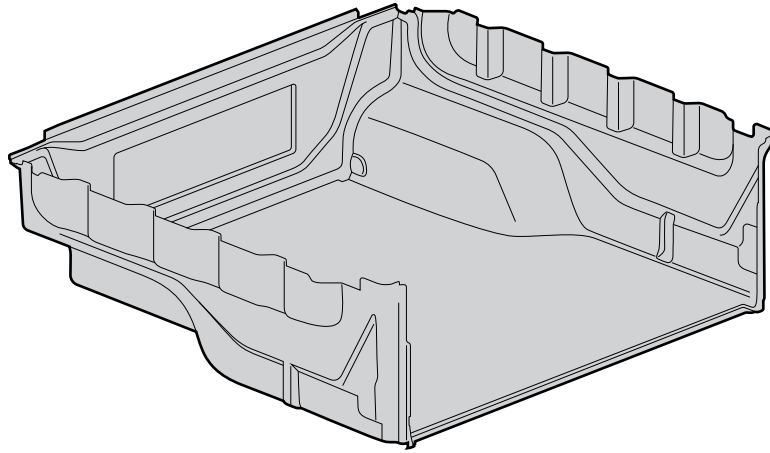


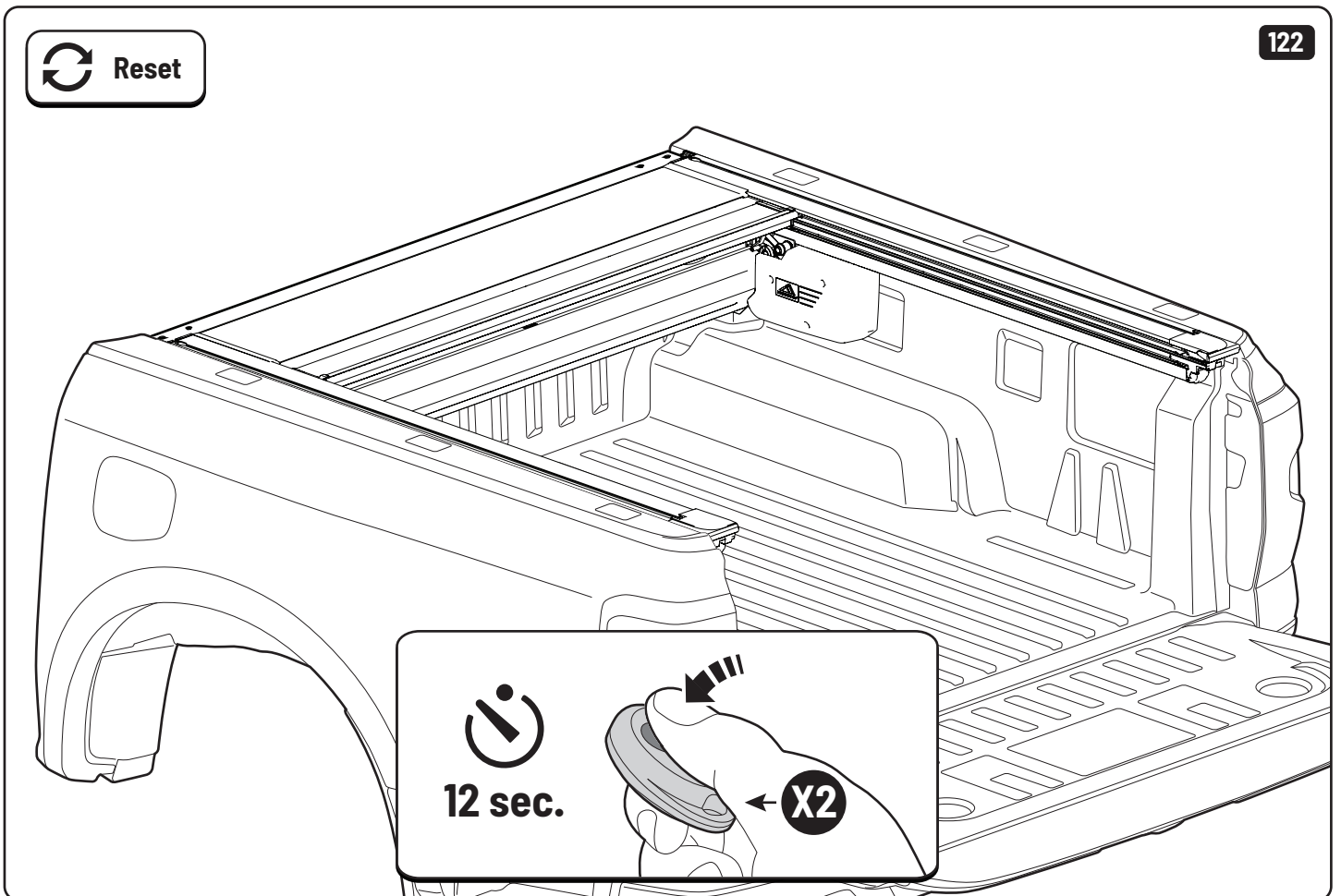
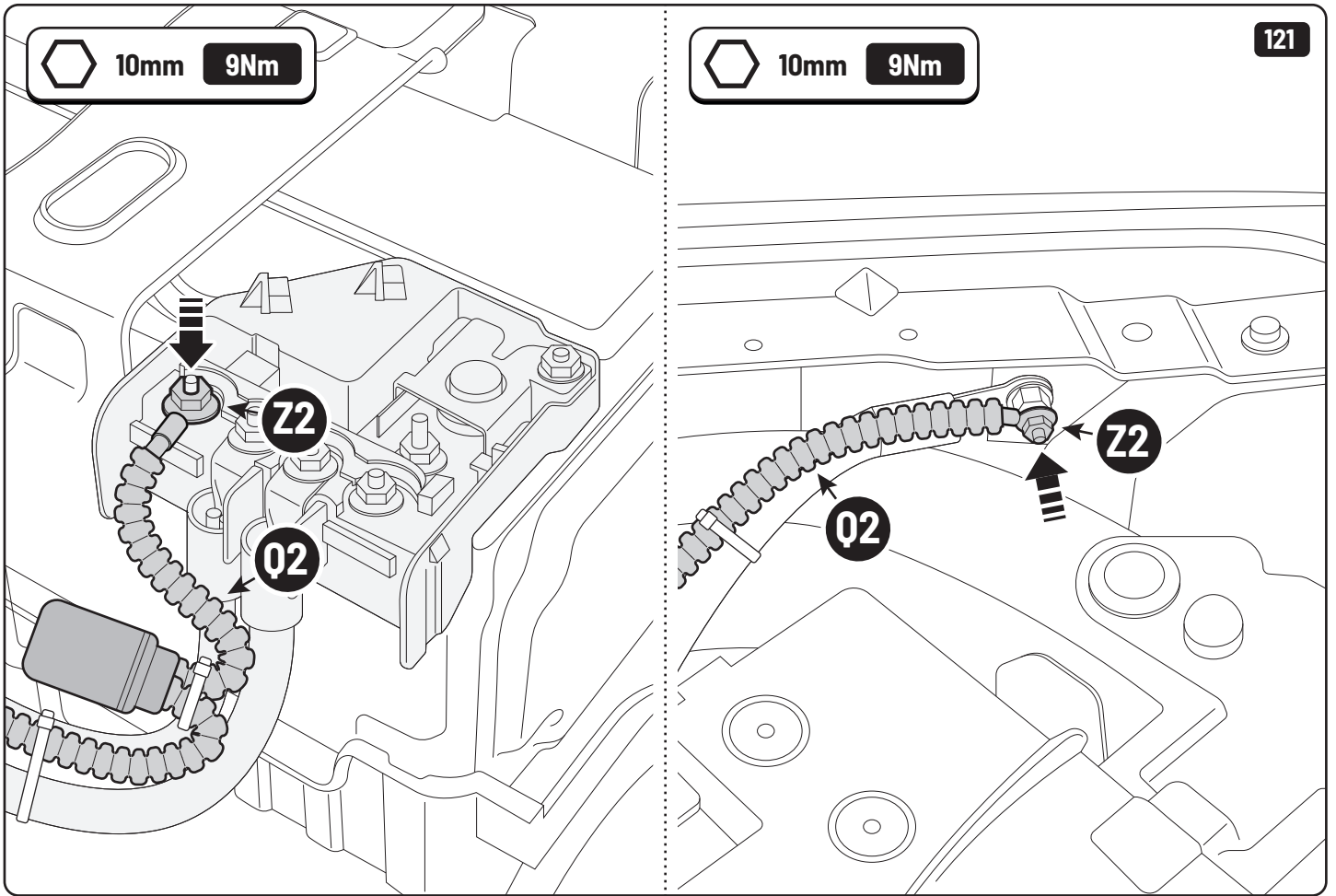


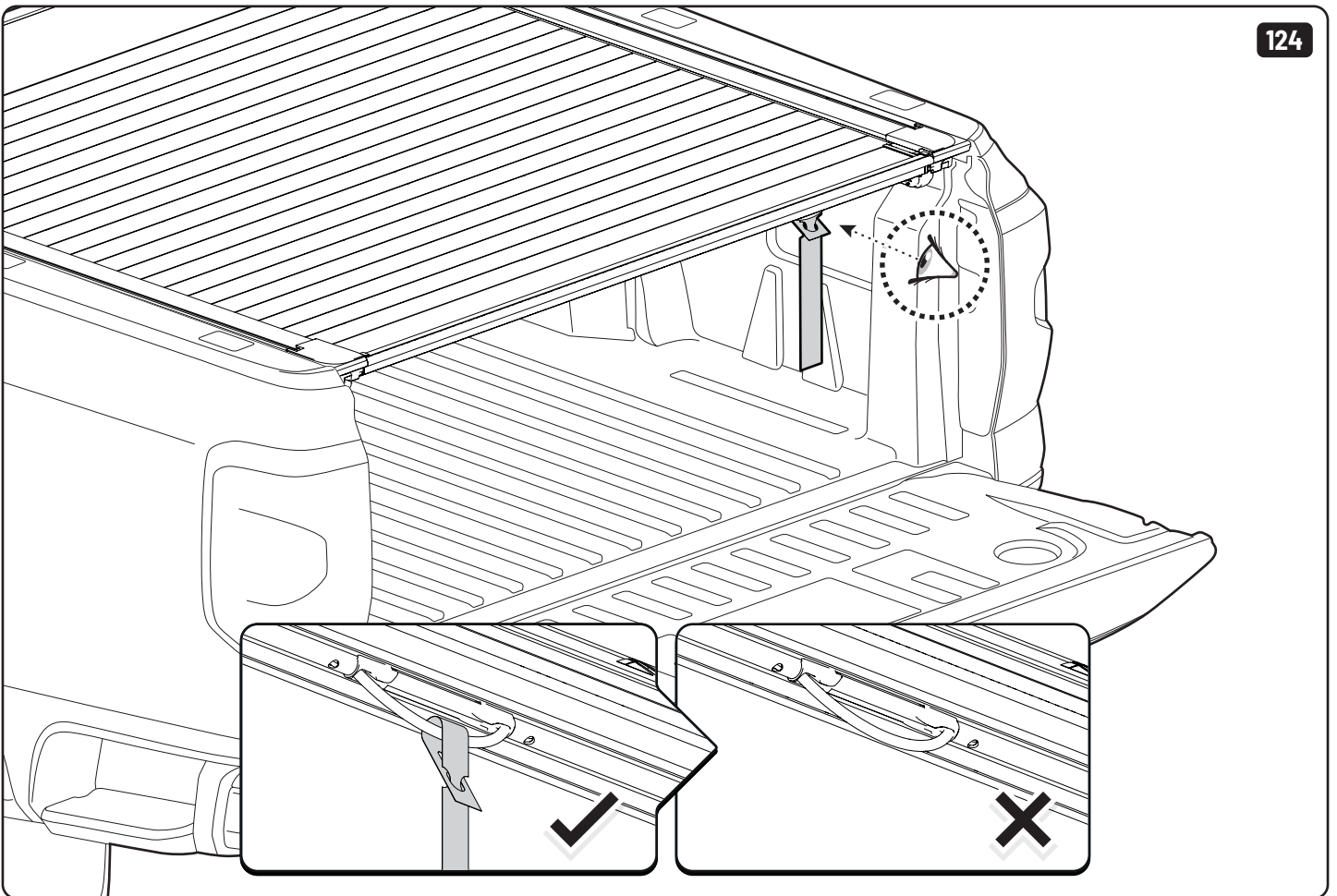
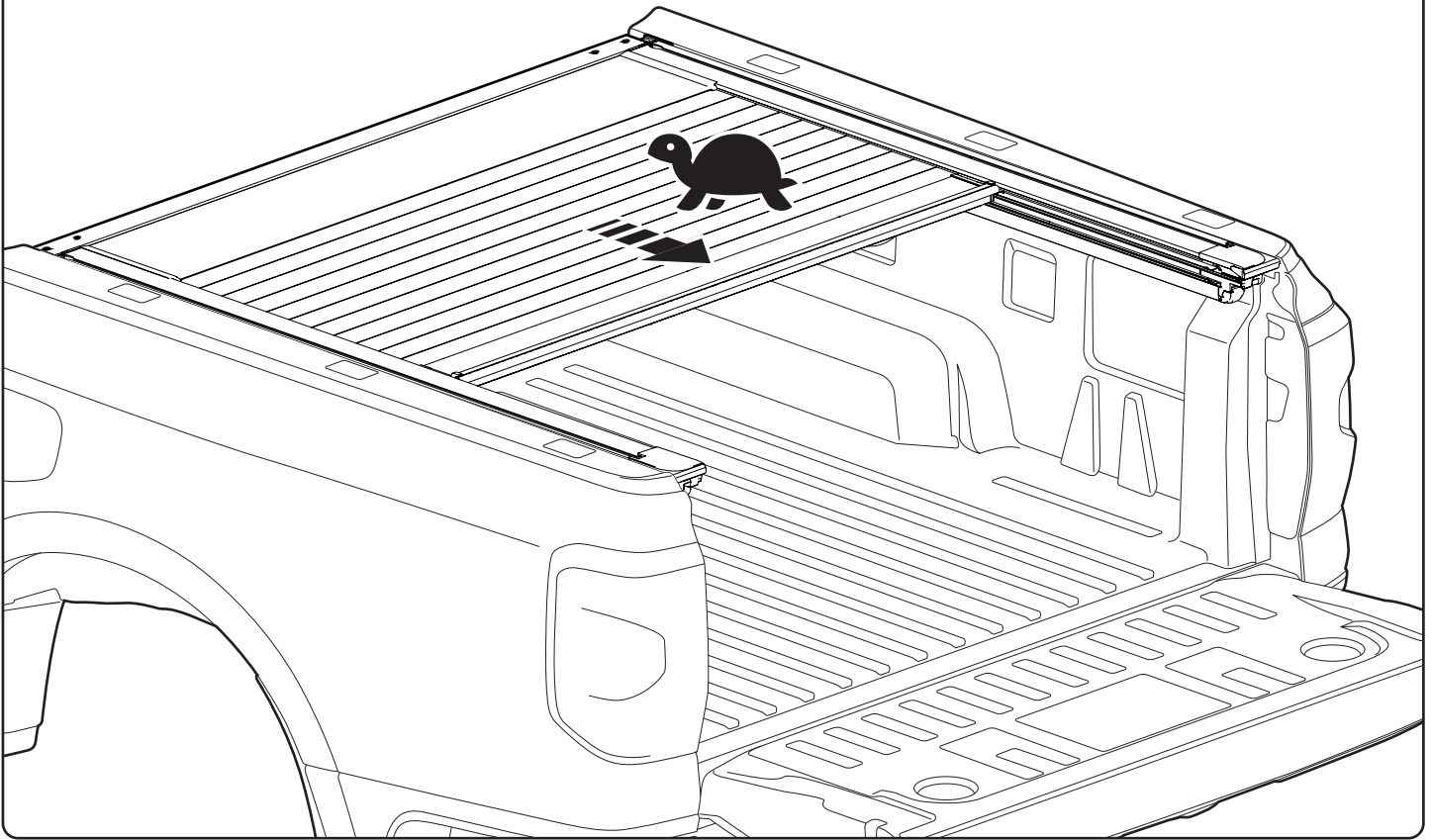


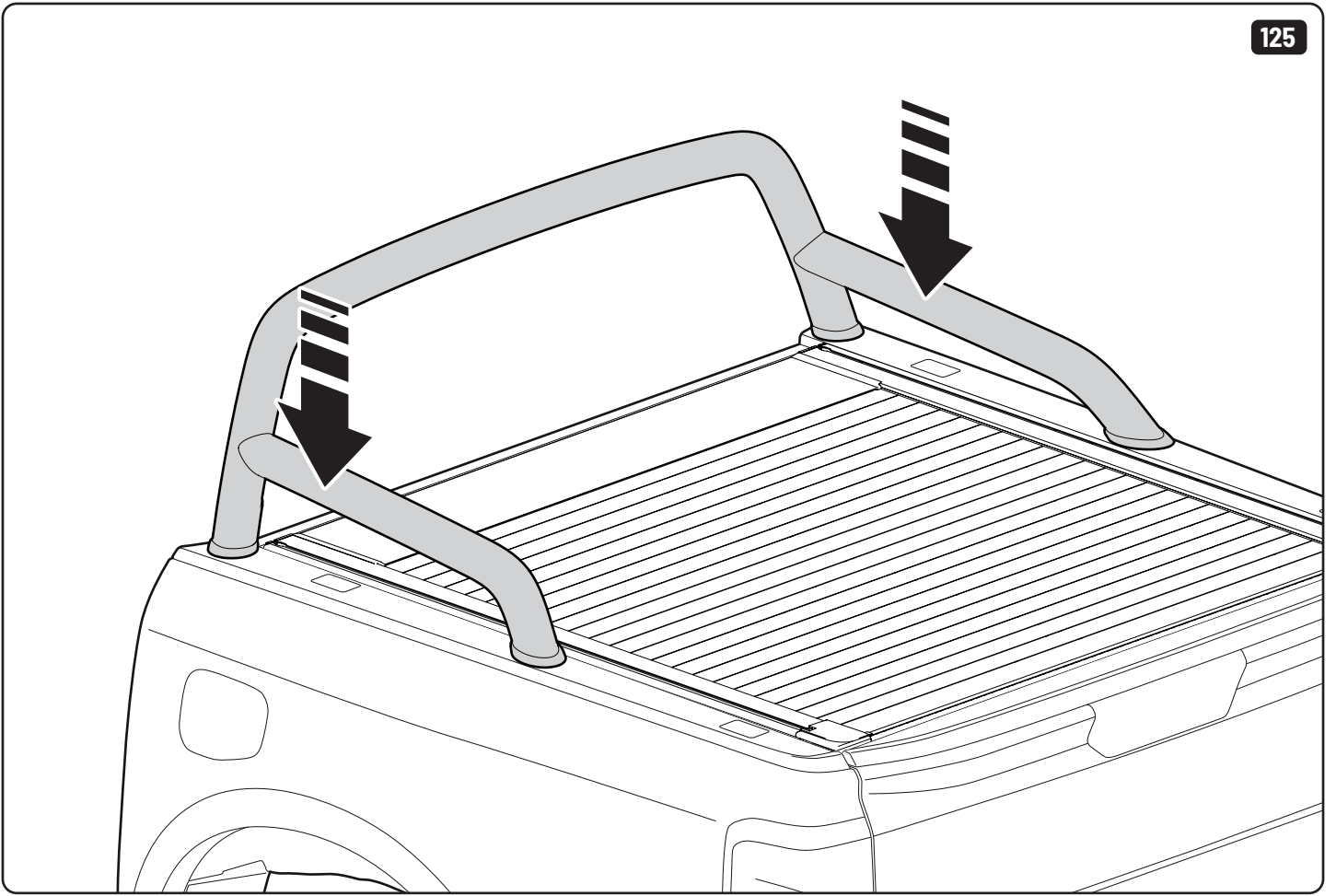














| Steps | Page | Done by |
|-----------------------------------|---------------|---------|
| Mounting gliding rail in canister | 18-19 | |
| Holes for drain | 32-35 / 37-40 | |
| Width + Cross measurement | 66+67 | |
| Tightening bracket screws | 66-68 | |
| Mounting drain | 70+72 / 74 | |
| Calibrate EVOe | 75-76 | |



Customer Service +45 4810 2950 (08:00 - 16:00 CET)
Support info@mountaintop.dk
Website www.mountaintop.dk
Address Pedersholmparken 10, 3600 Frederikssund, Denmark

| Part number (s) | Model / Year | Cab type (s) | Installation time | Weight |
|-----------------|----------------------|--------------|-------------------|--------|
| EVOe VW10 HB02 | Volkswagen / 2022 -> | Double Cab | 1 hour (s) | 33 kg |

| | | |
|-----------------------------------|------------------------------------|-------------------------------------|
| GB Installation manual | S Monteringsanvisning | D Einbauanleitung |
| SF Asennusohje | E Instrucciones de montaje | CZ Návod k instalaci |
| F Notice de montage | H Szerelési utasítás | I Istruzioni di montaggio |
| PL Instrukcja montażu | P Instruções de instalação | GR Οδηγίες Εγκατάστασης |
| NL Installatie-instructies | RUS Инструкция по установке | DK Monteringsvejledning |
| Montaj Talimatı | N Monteringsveiledning | RO Instructiuni de instalare |